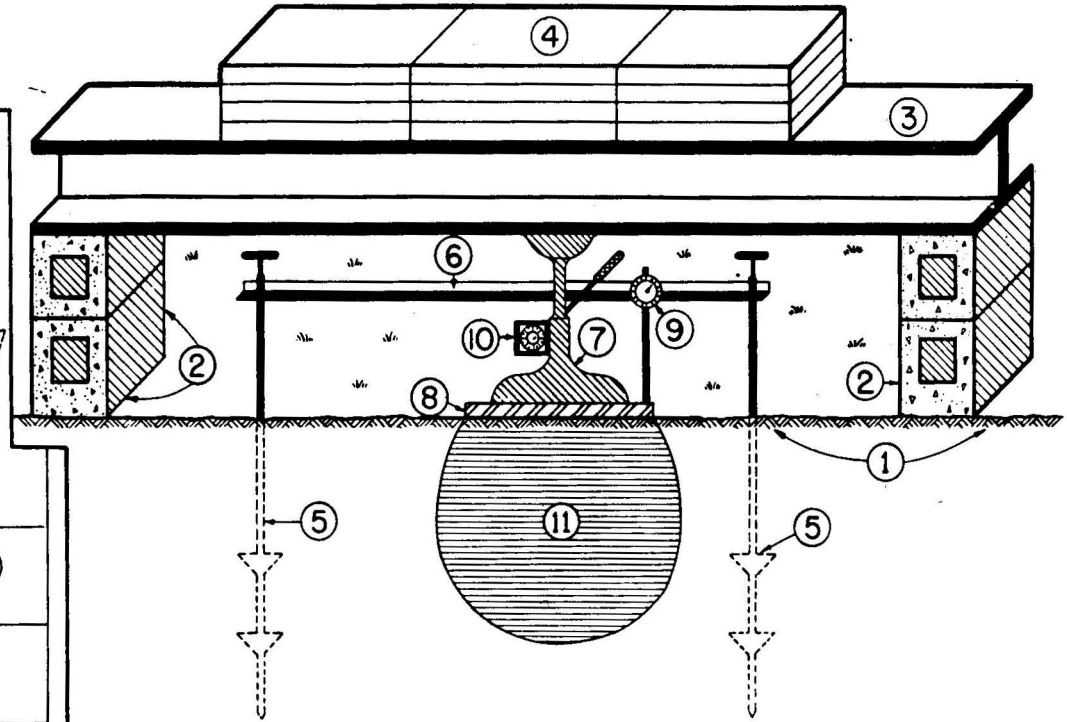
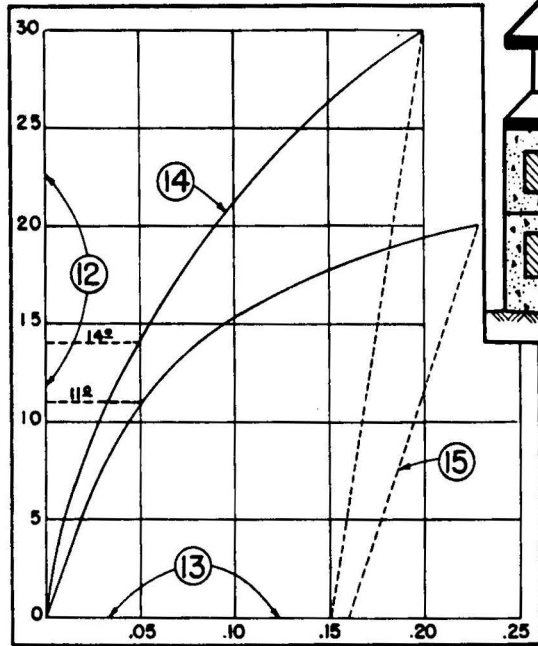
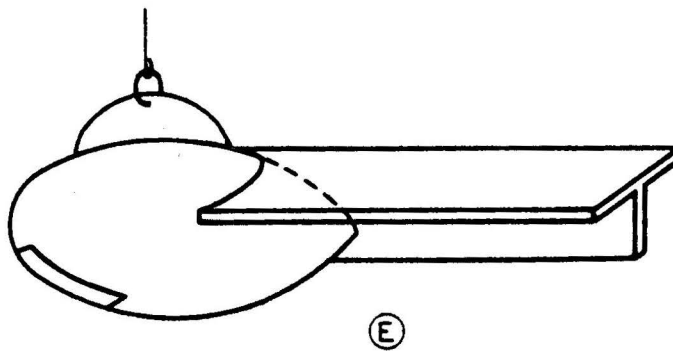
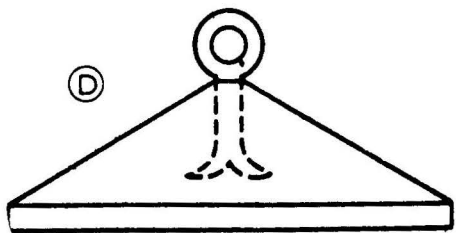
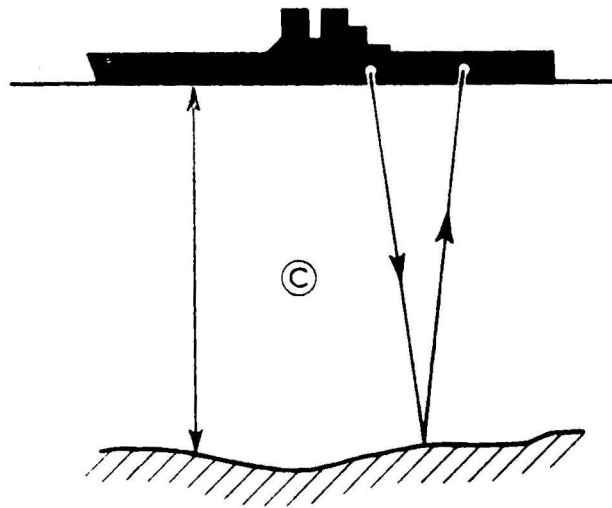
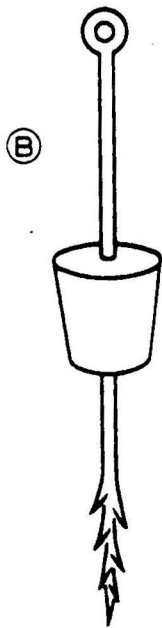
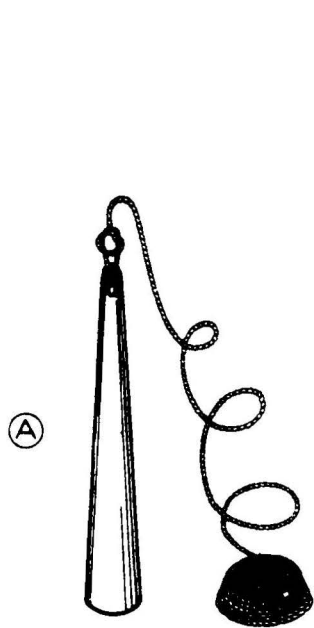
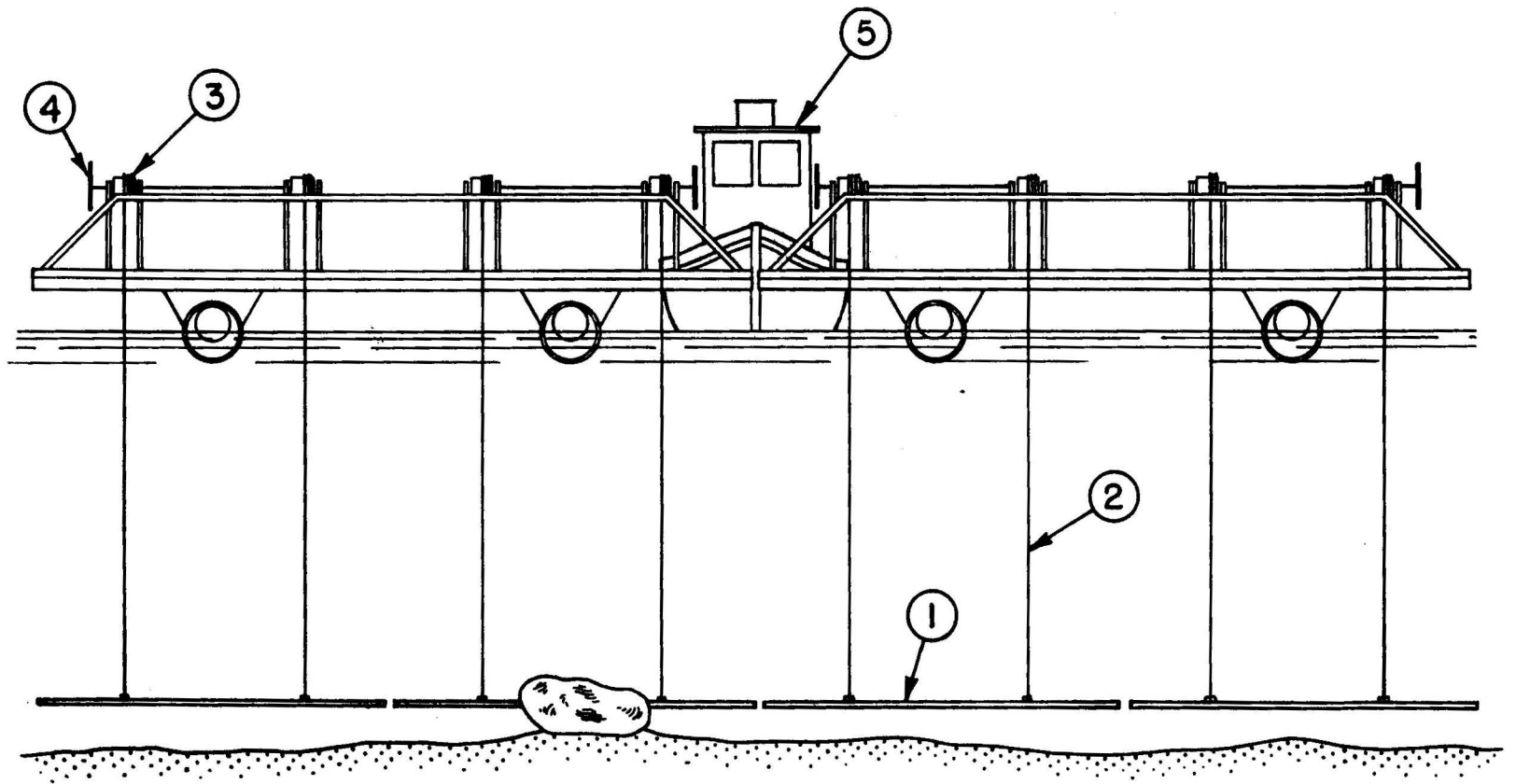


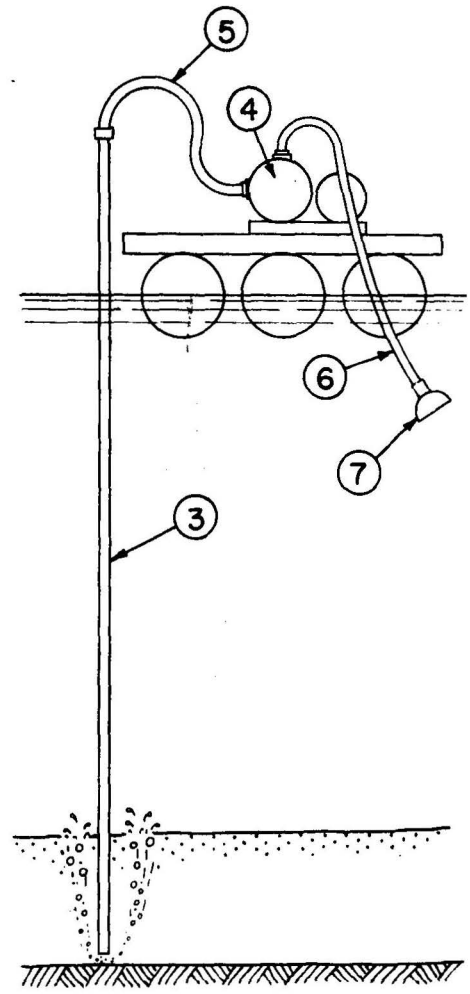
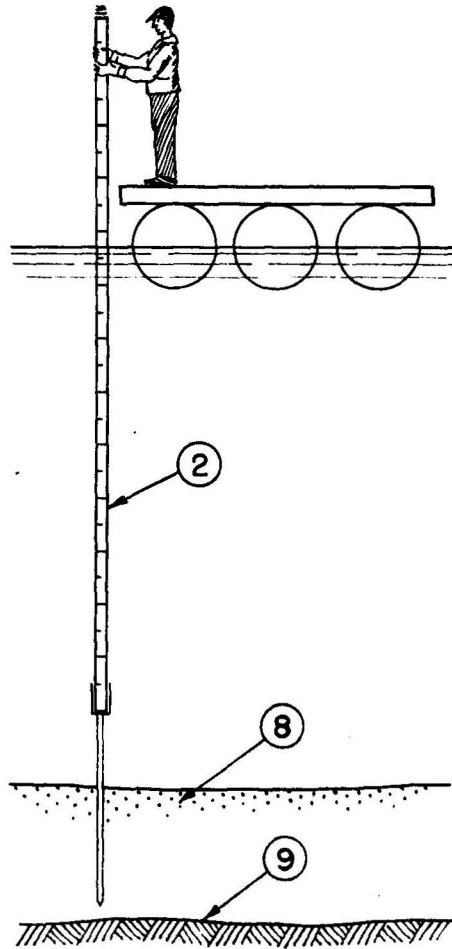
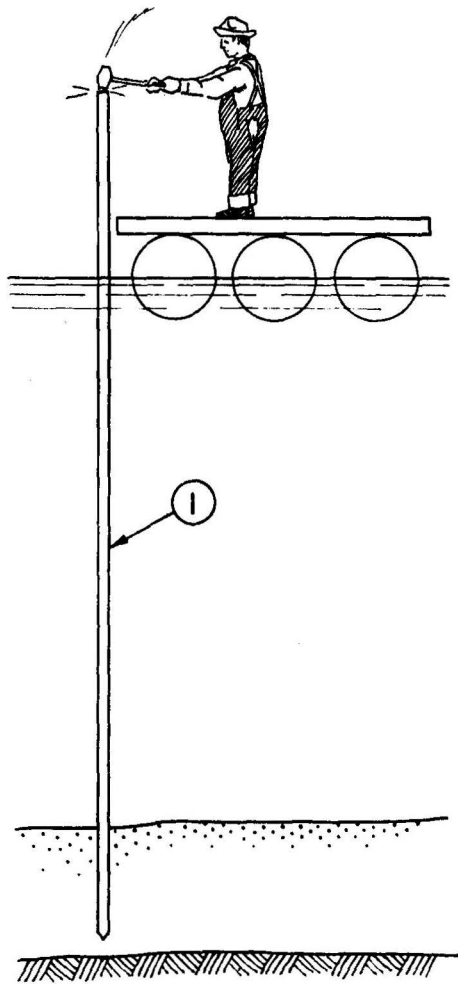
2

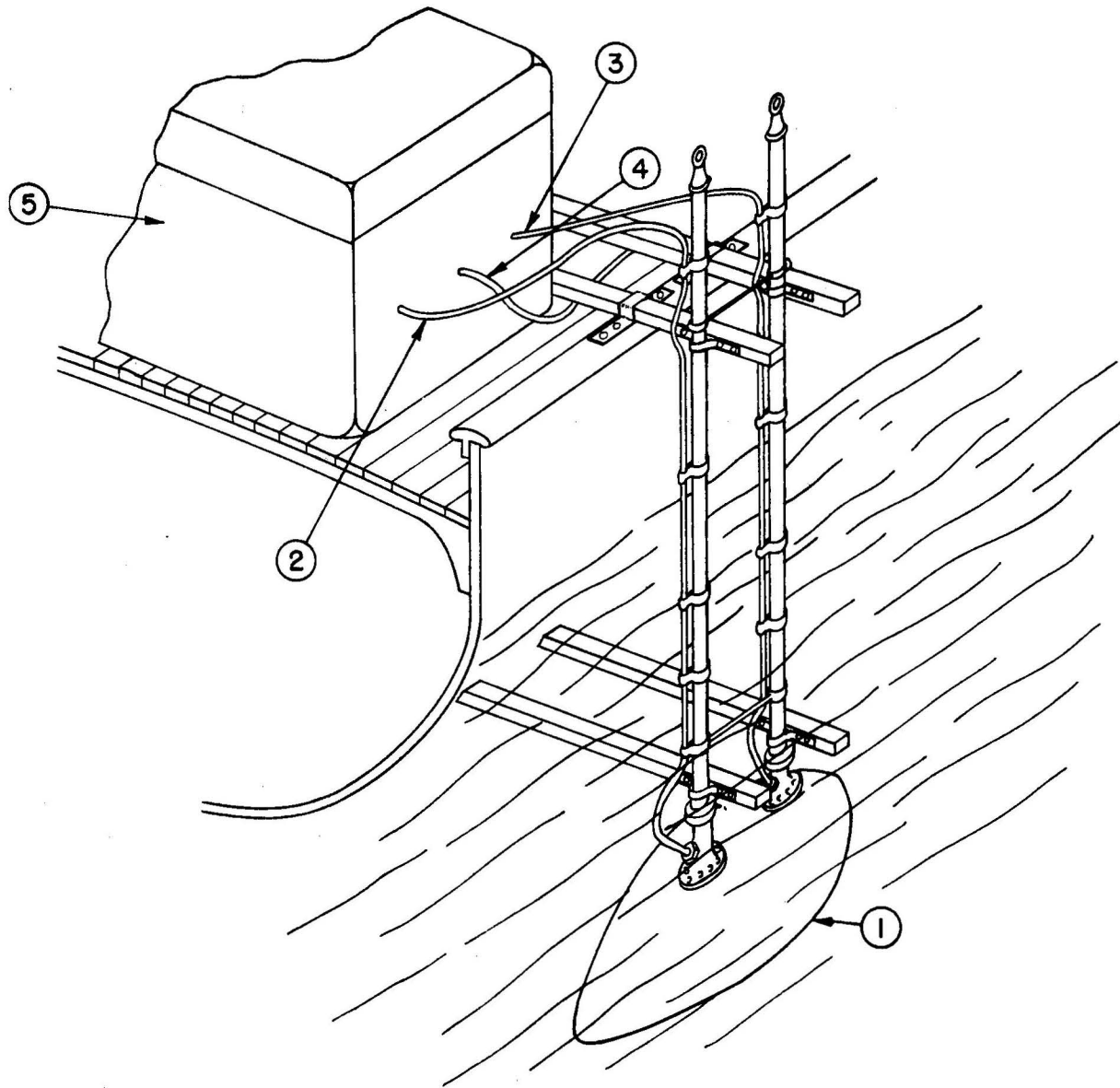


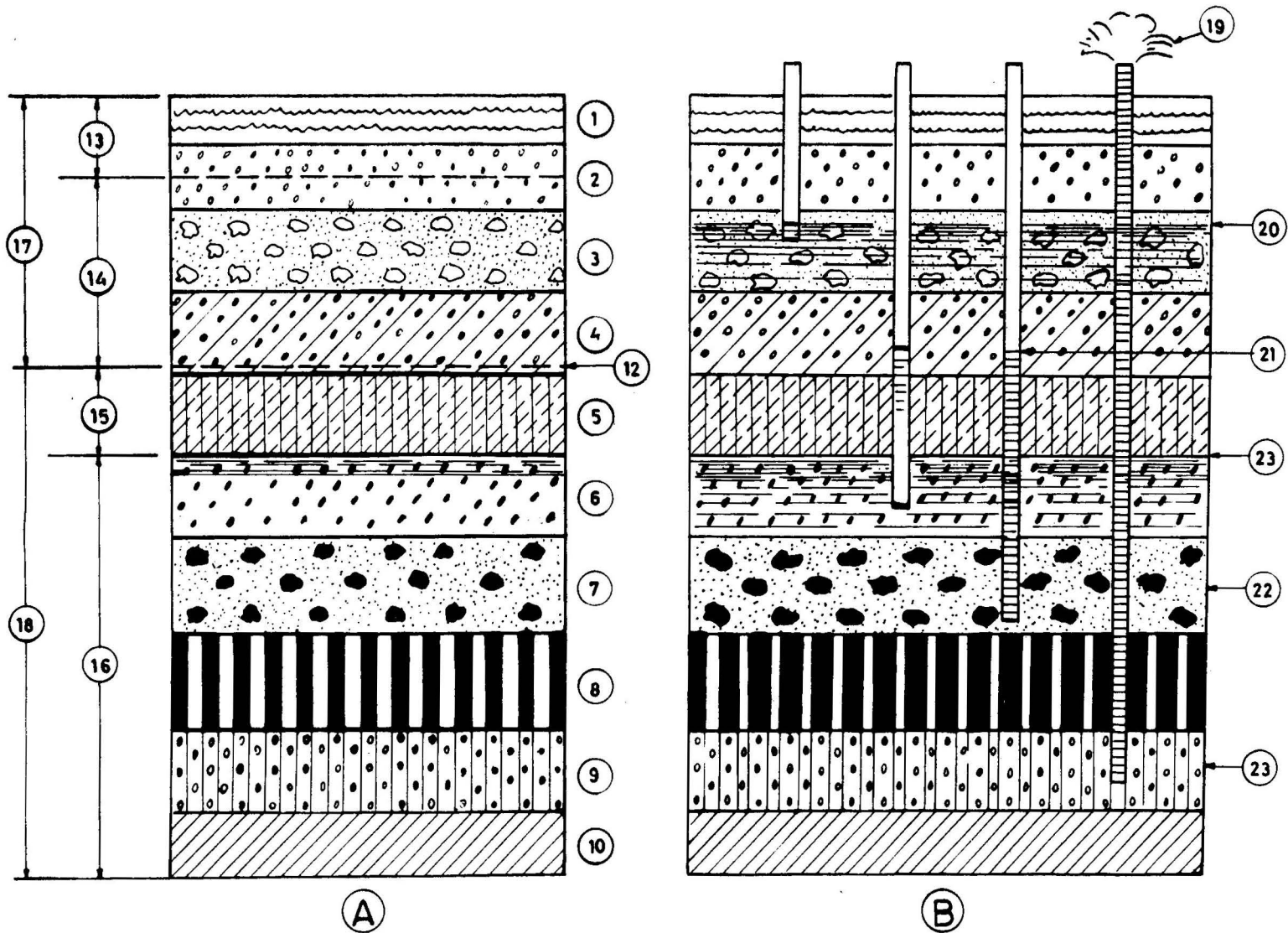
(16) $\left\{ \begin{array}{l} \frac{14}{.05} = 280 \text{ lbs/in}^2/\text{in} \\ \frac{11}{.05} = 220 \text{ lbs/in}^2/\text{in} \\ 500 \div 2 = 250 \text{ lbs/in}^2/\text{in} \end{array} \right.$

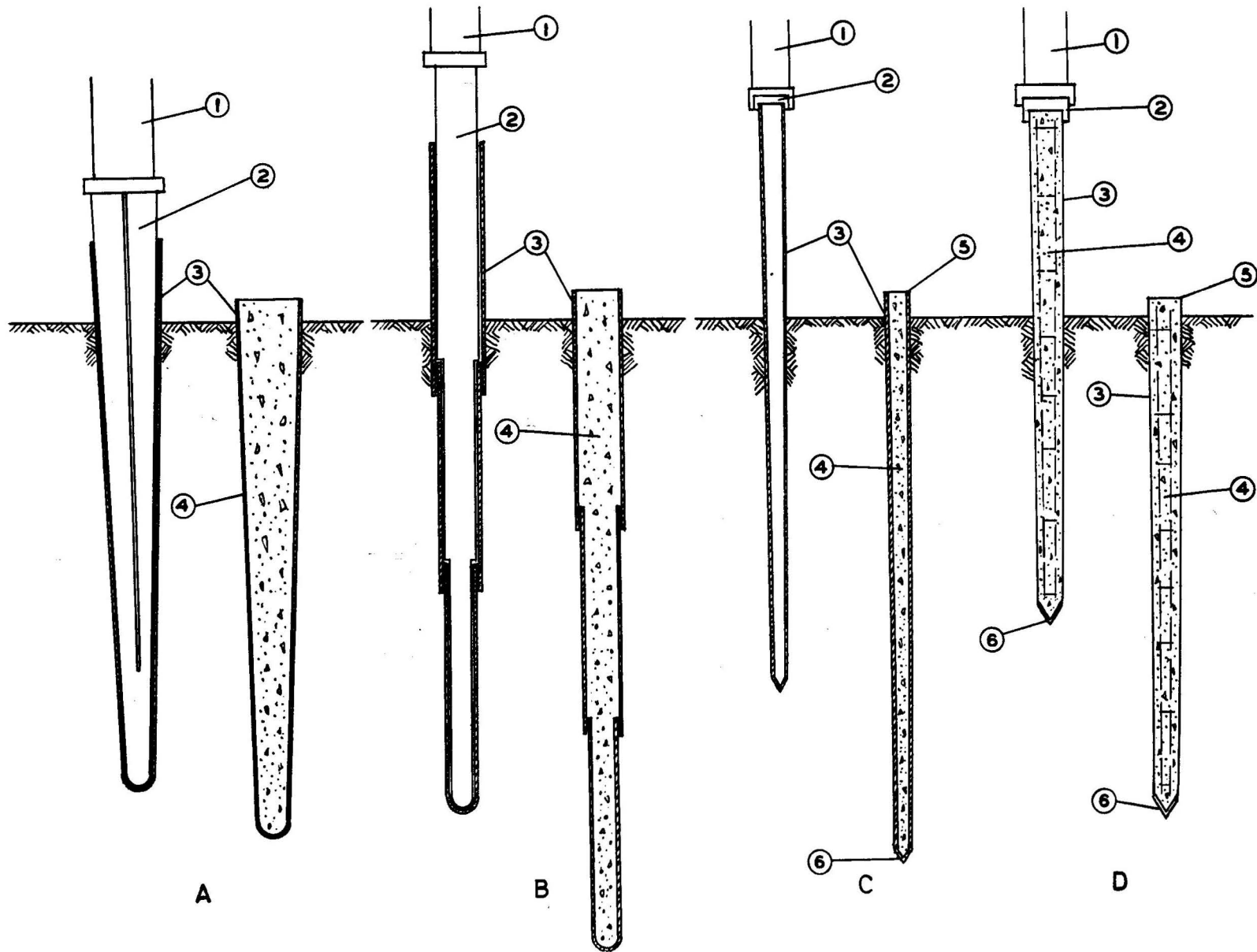


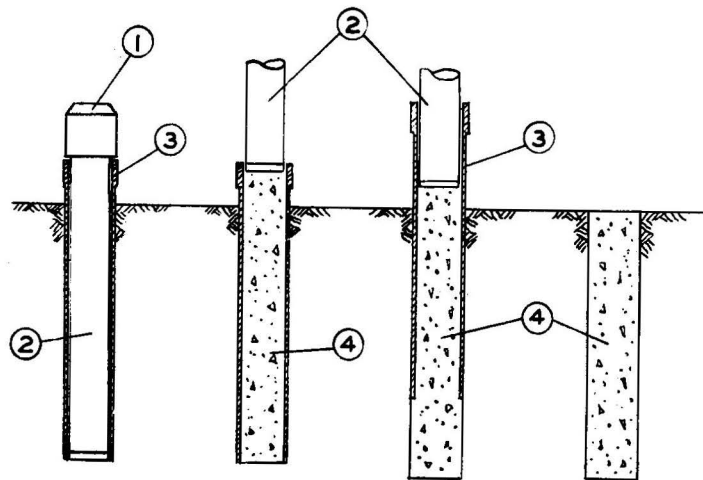




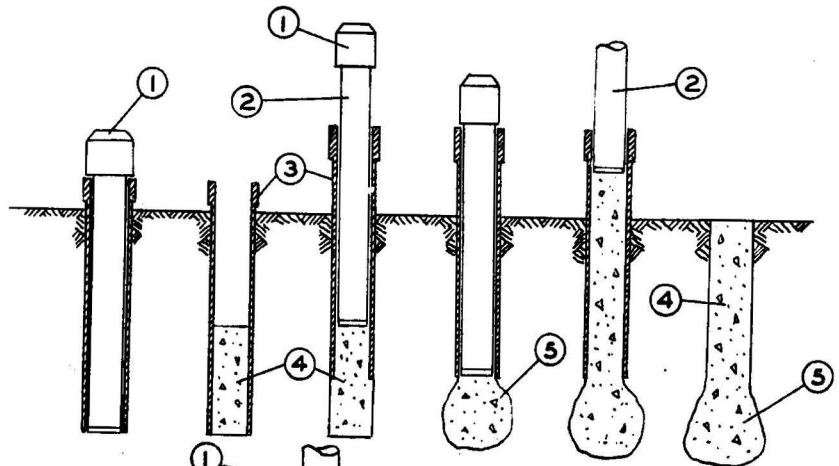




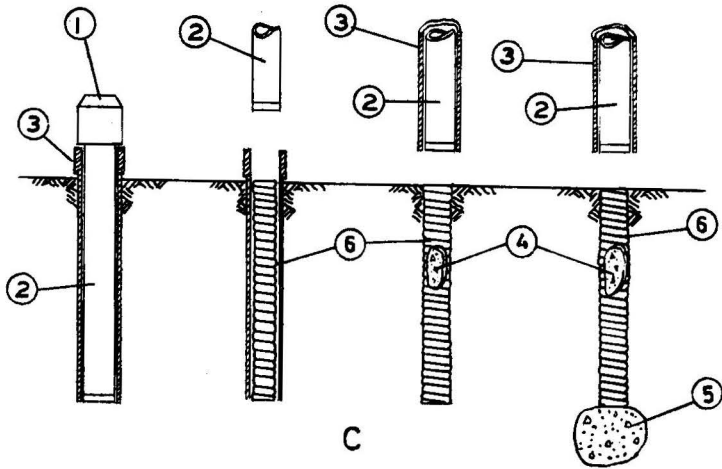




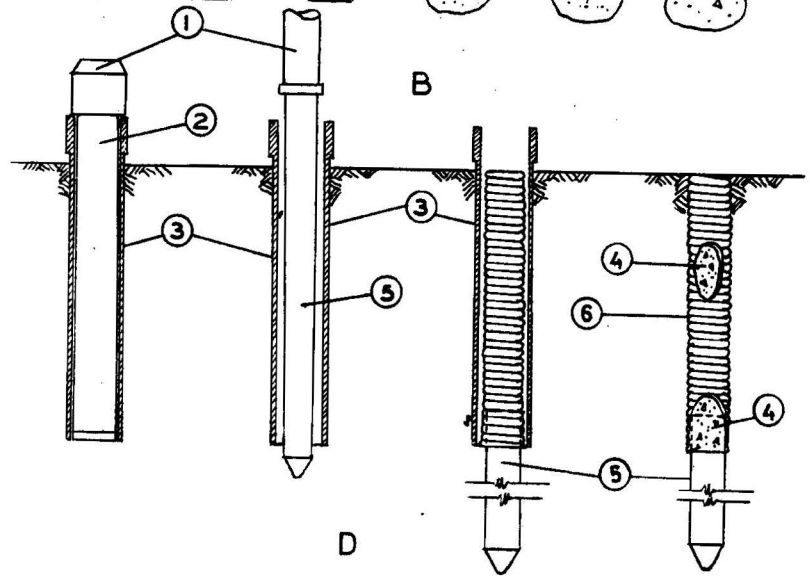
A



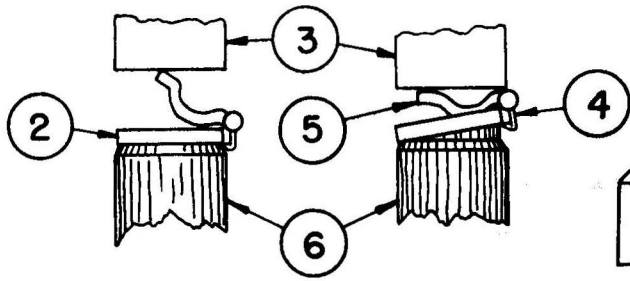
B



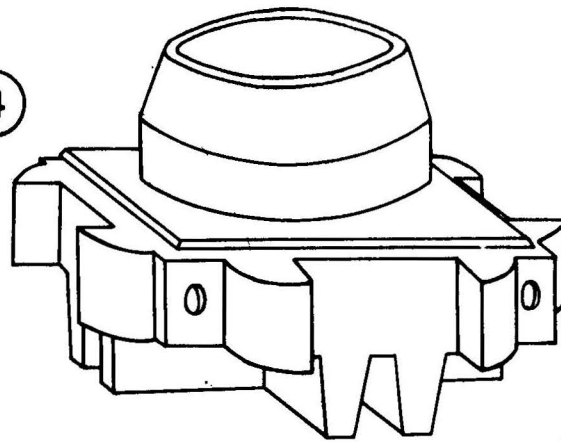
C



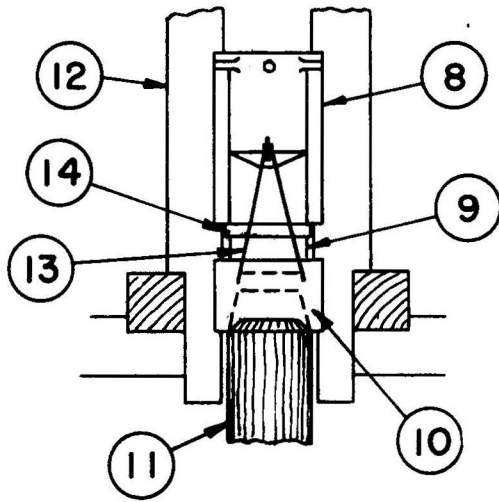
D



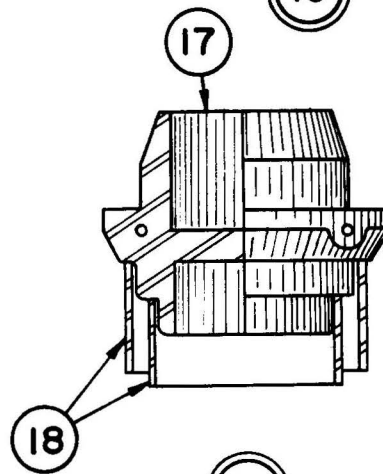
①



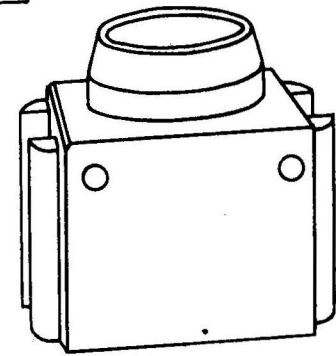
⑮



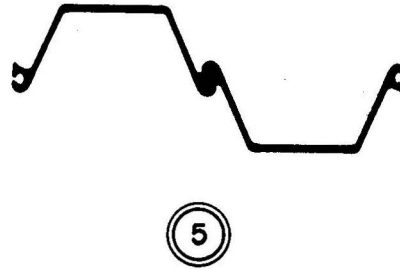
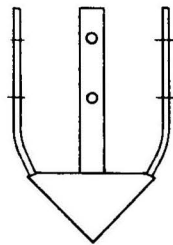
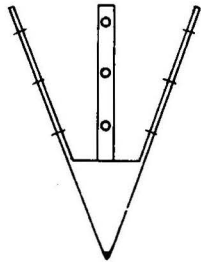
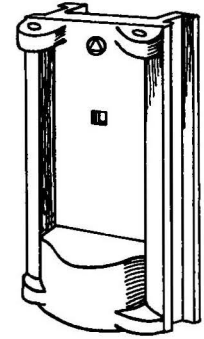
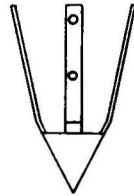
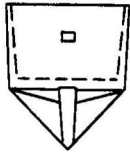
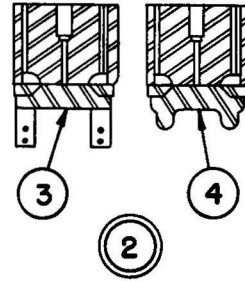
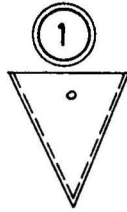
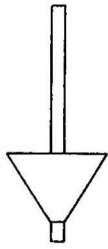
⑦

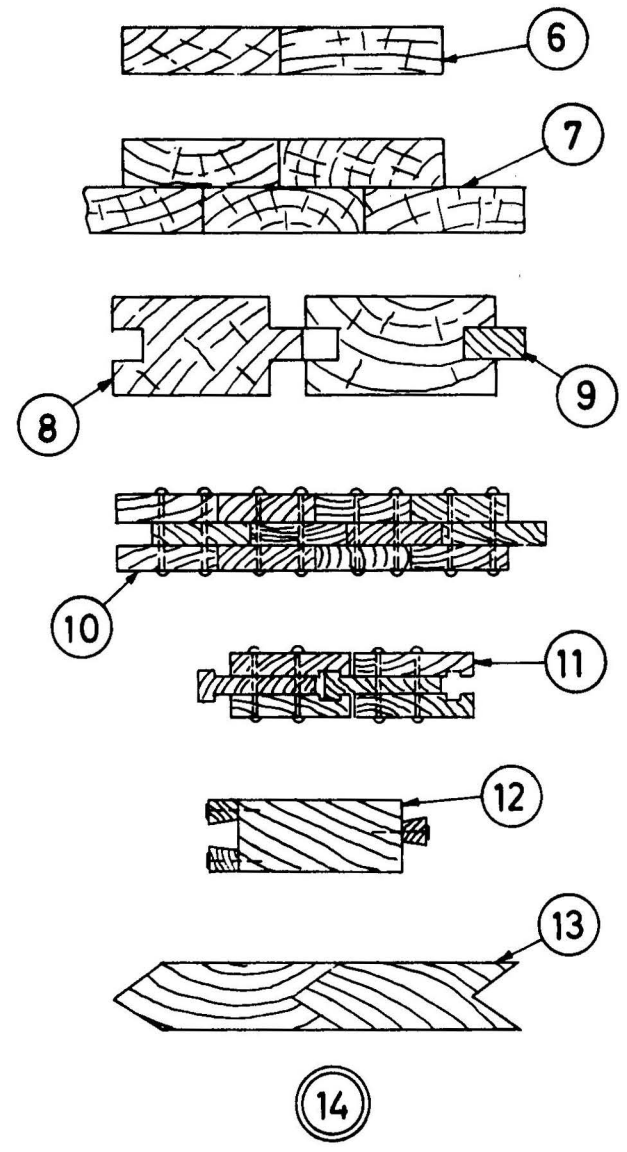
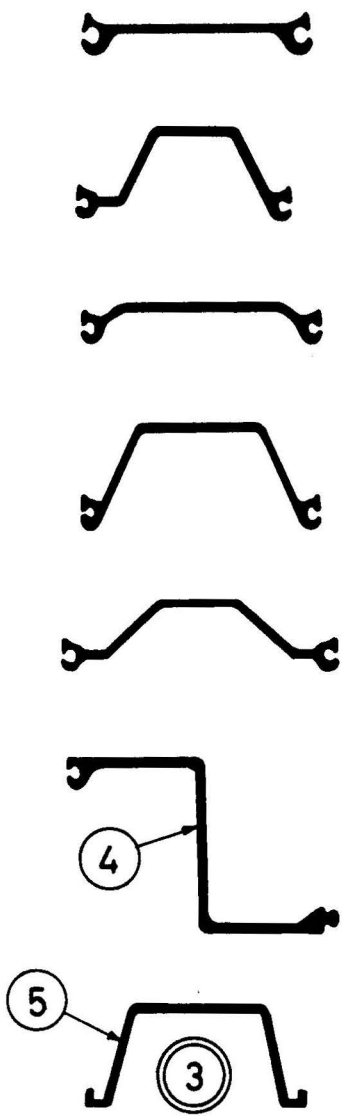
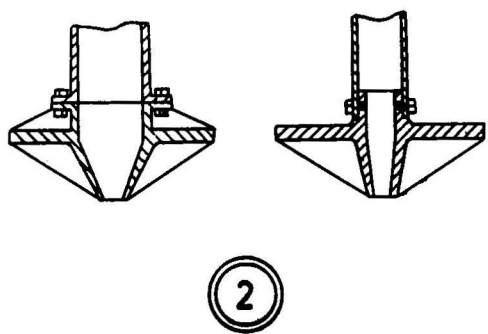
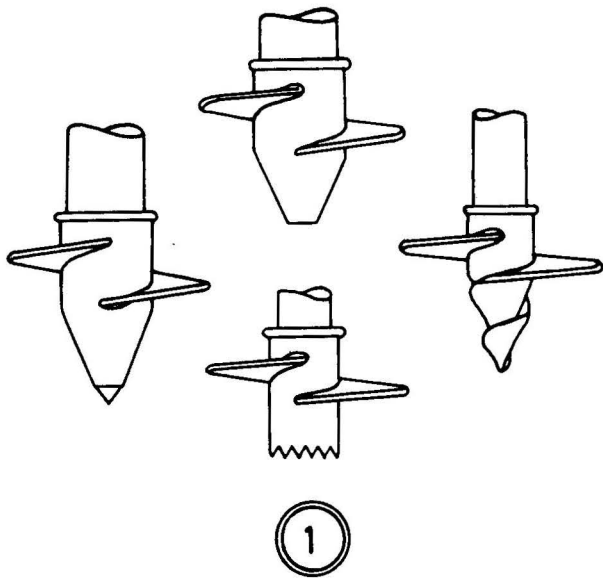


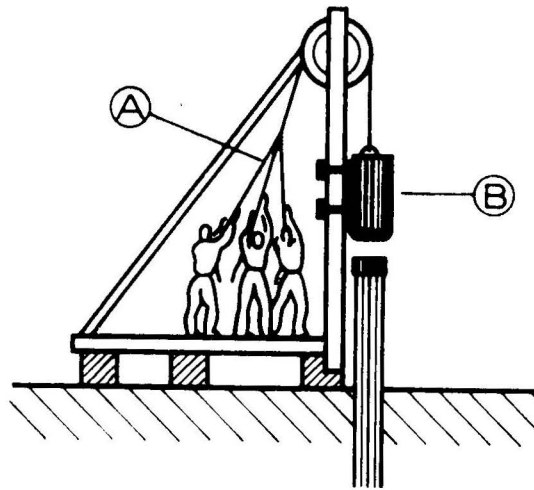
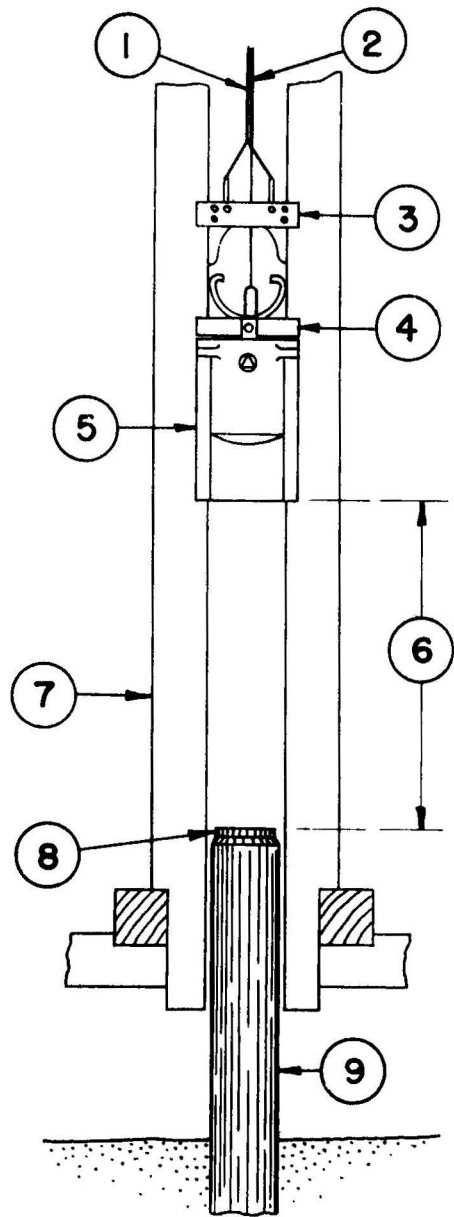
⑯



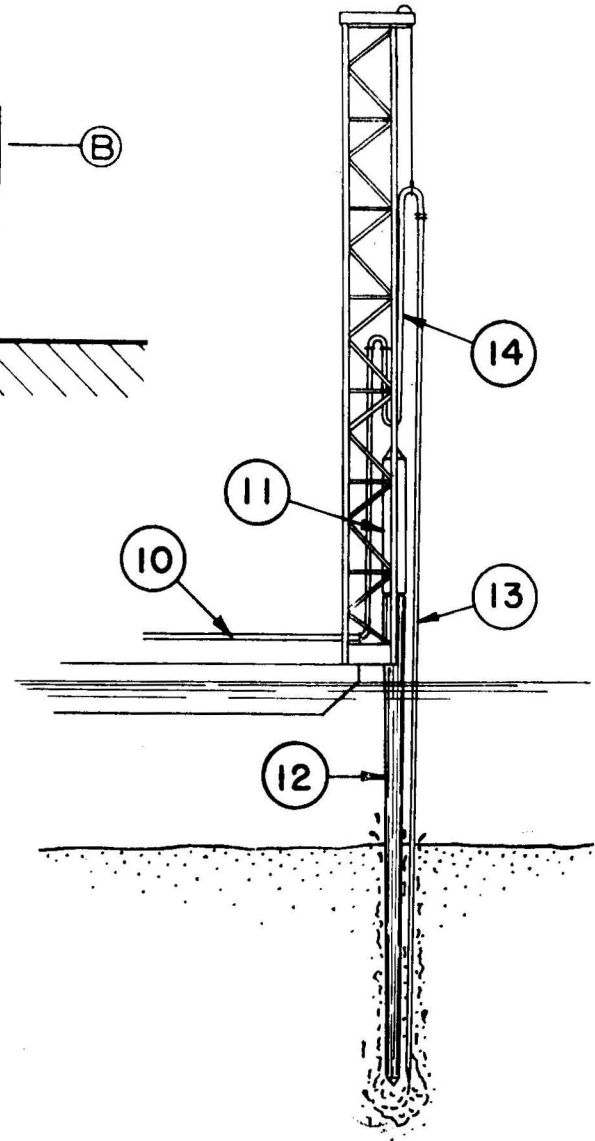
⑲

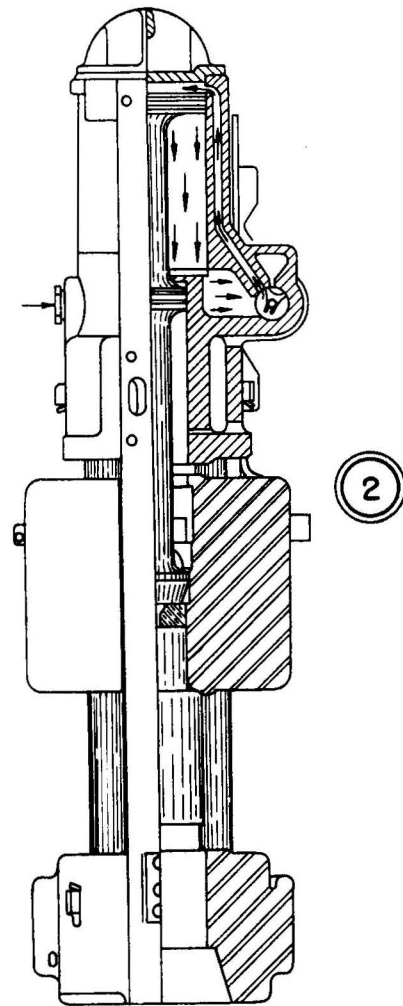
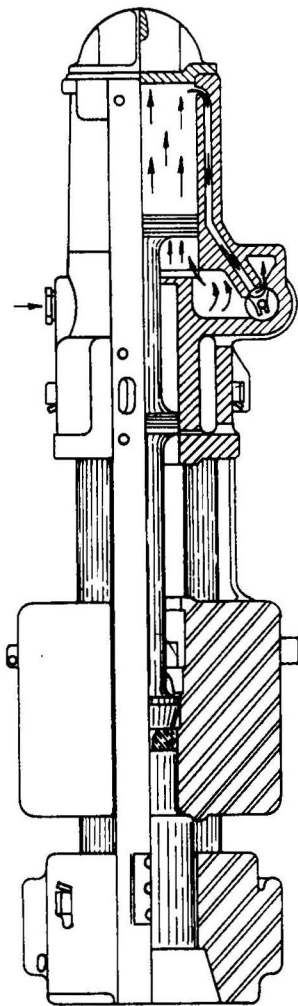
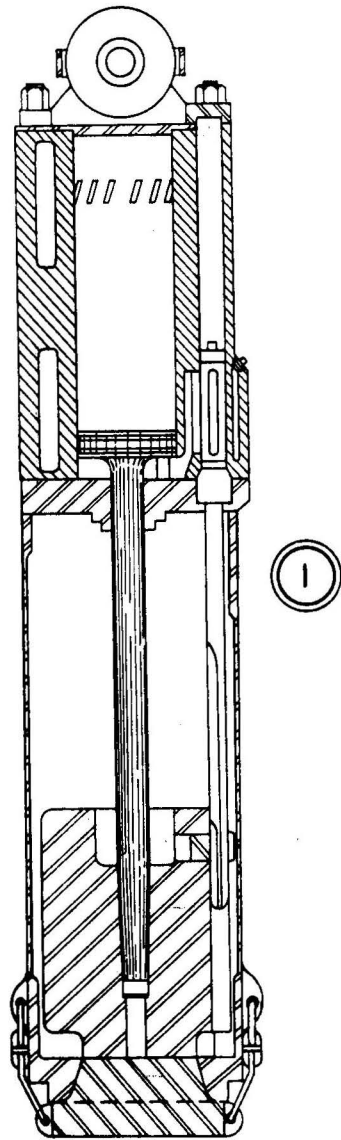


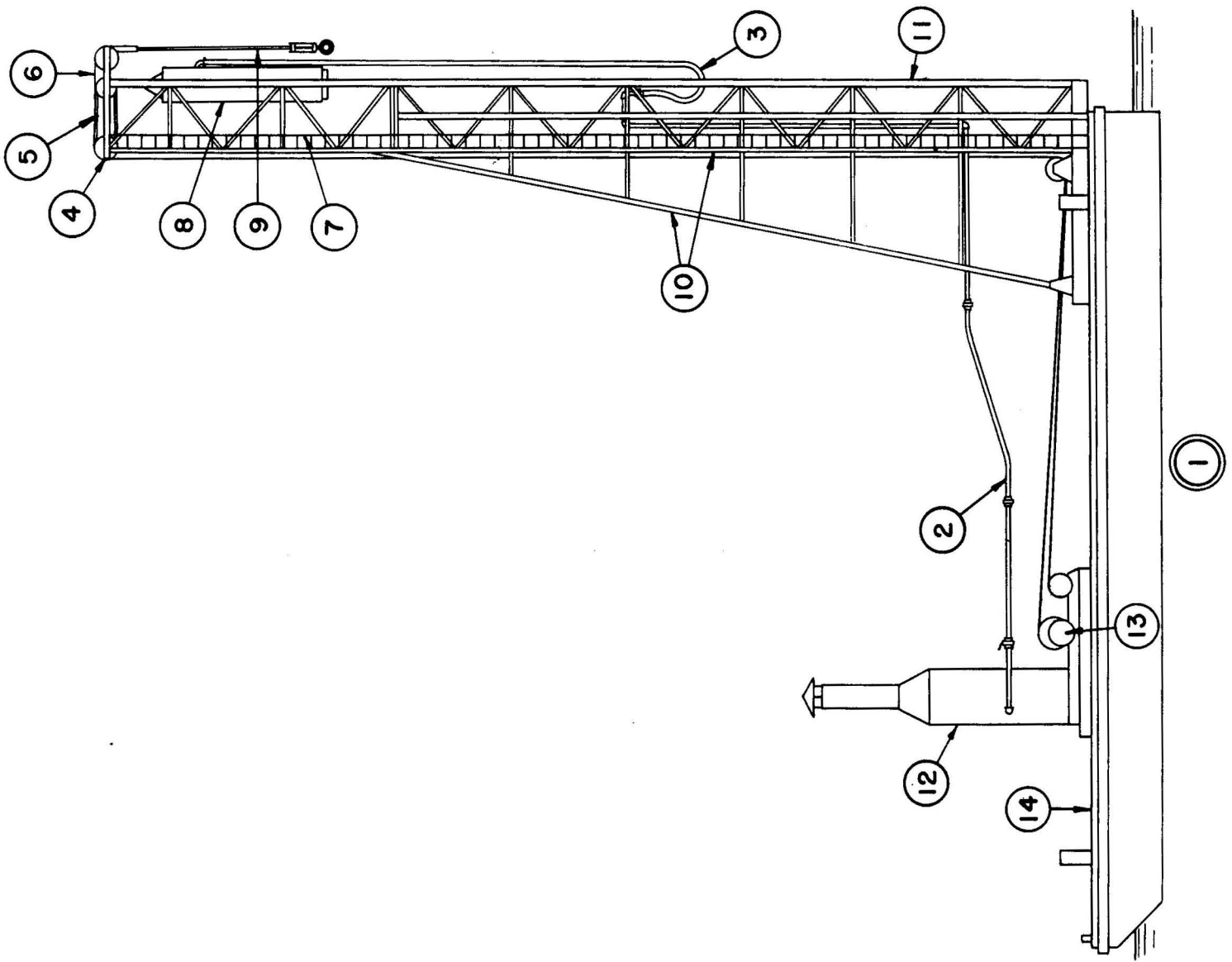


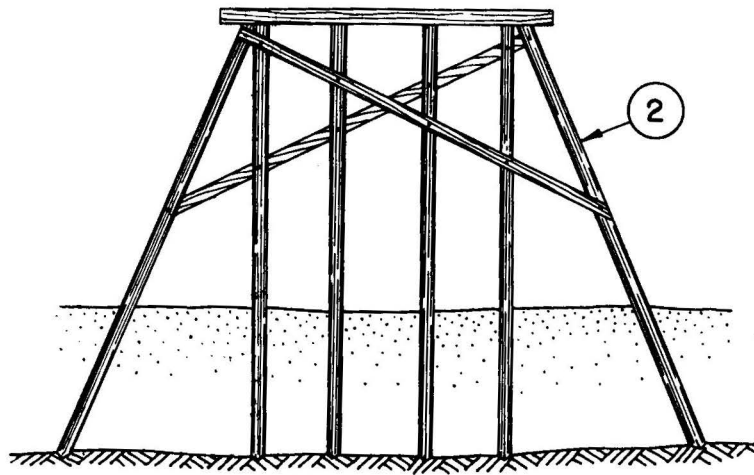


C

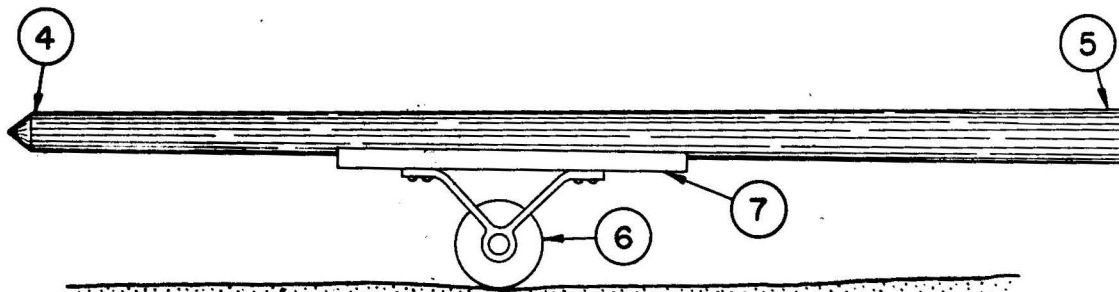




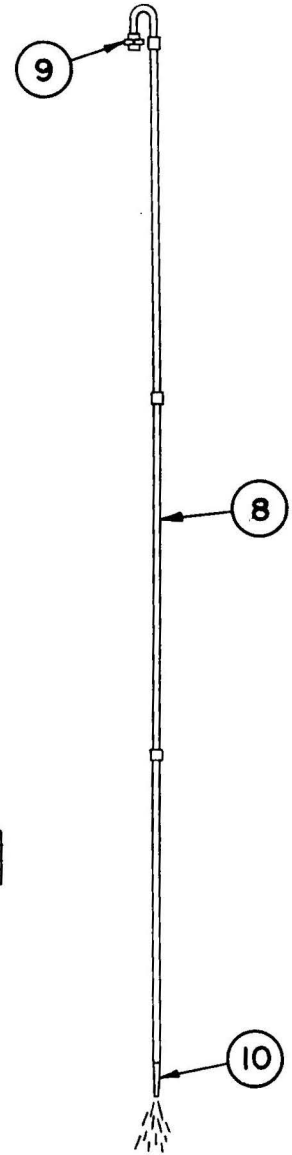




1



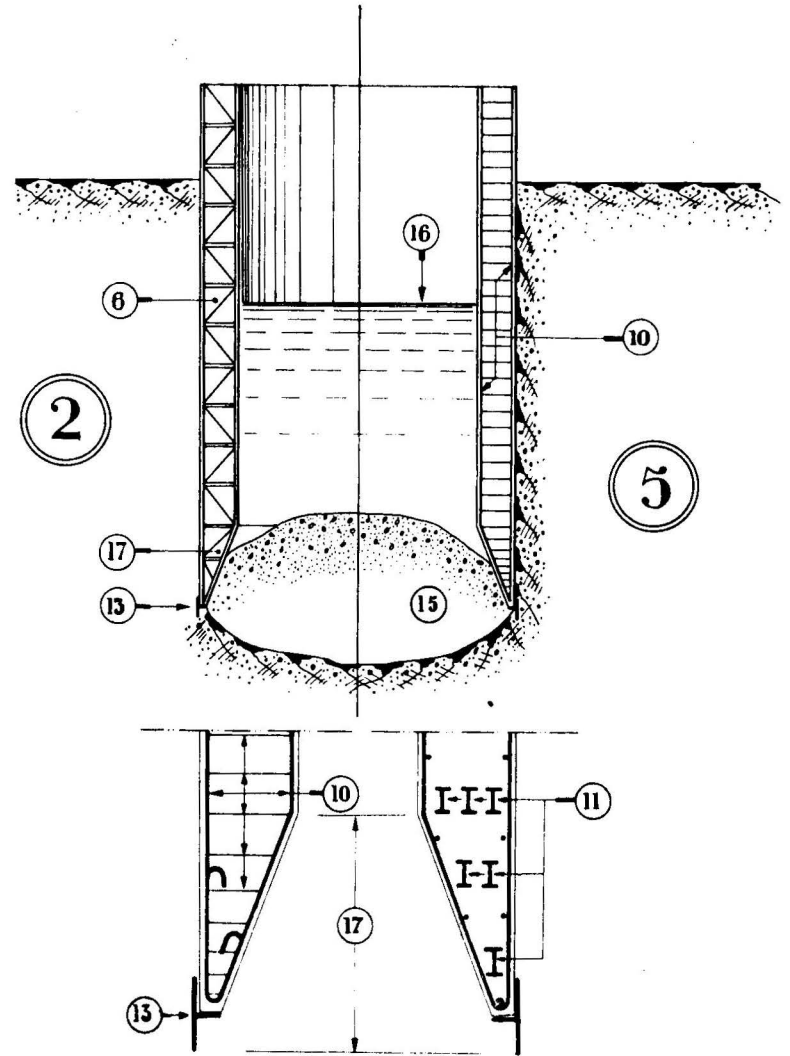
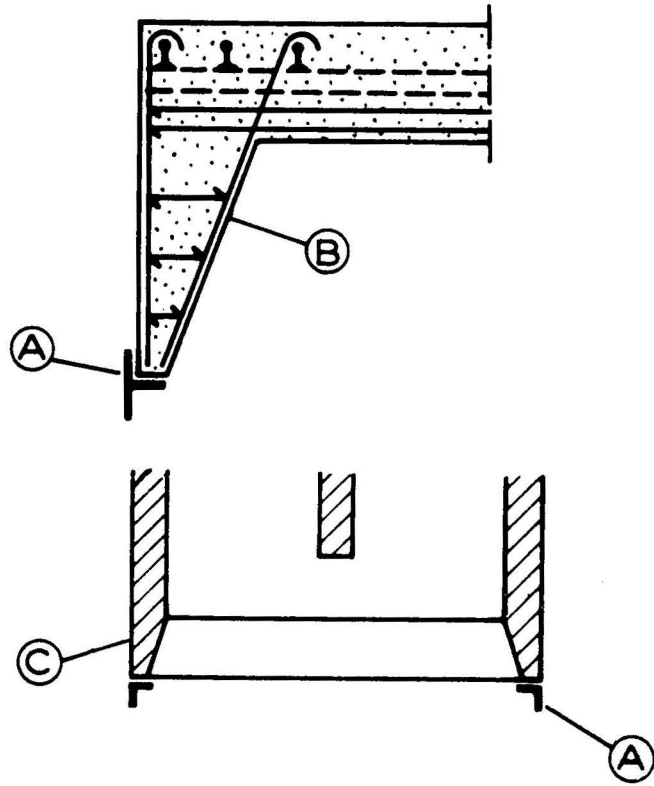
3

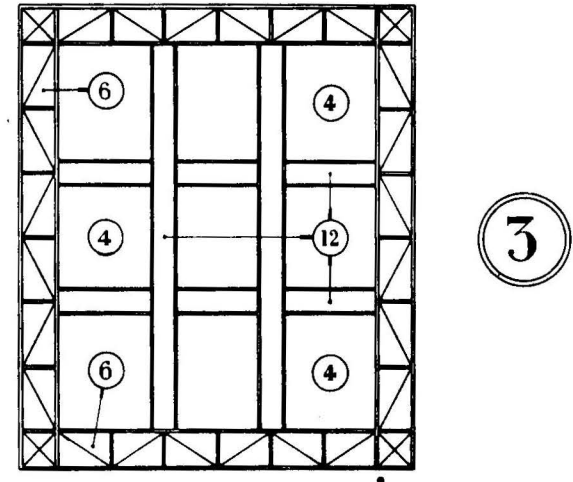
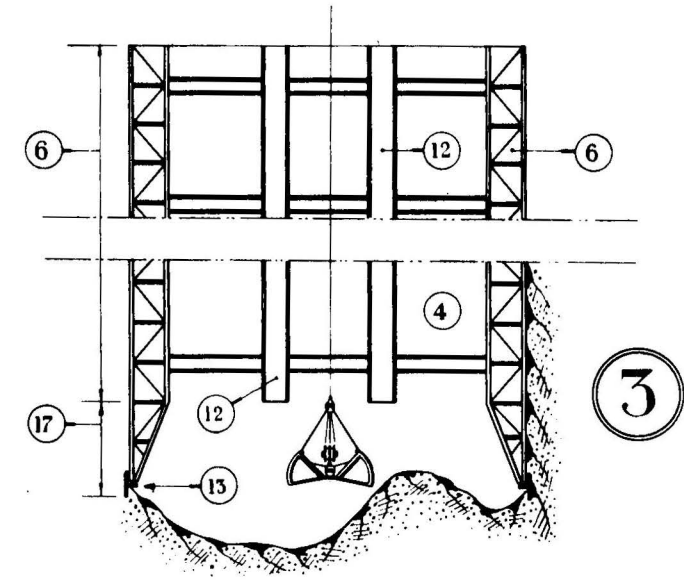
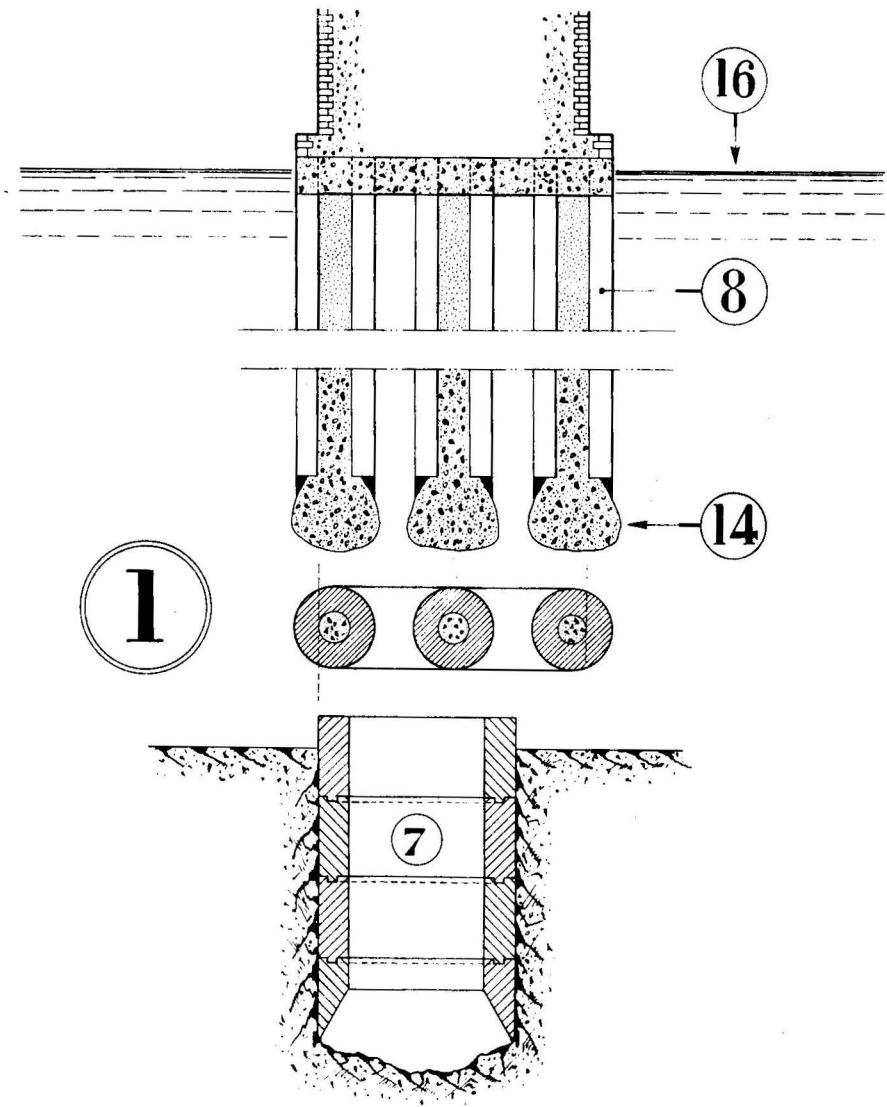


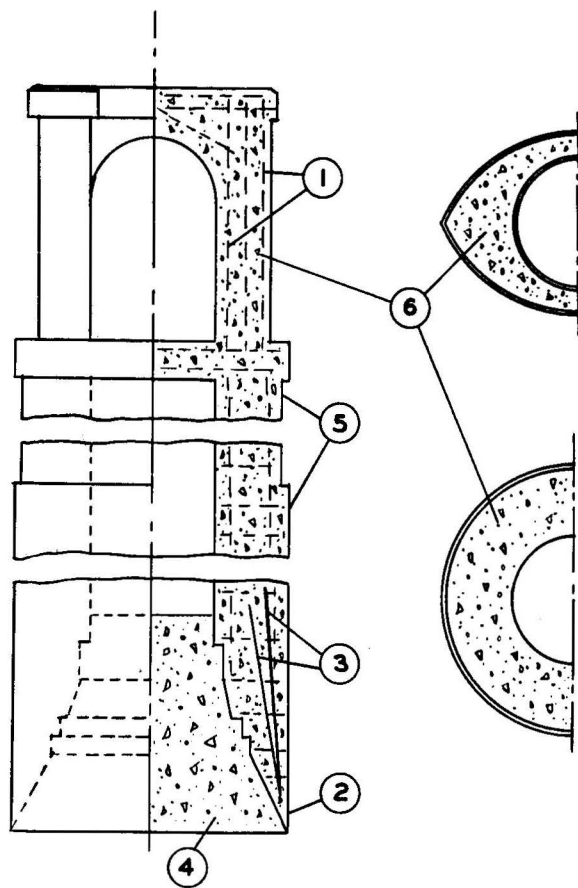
8

9

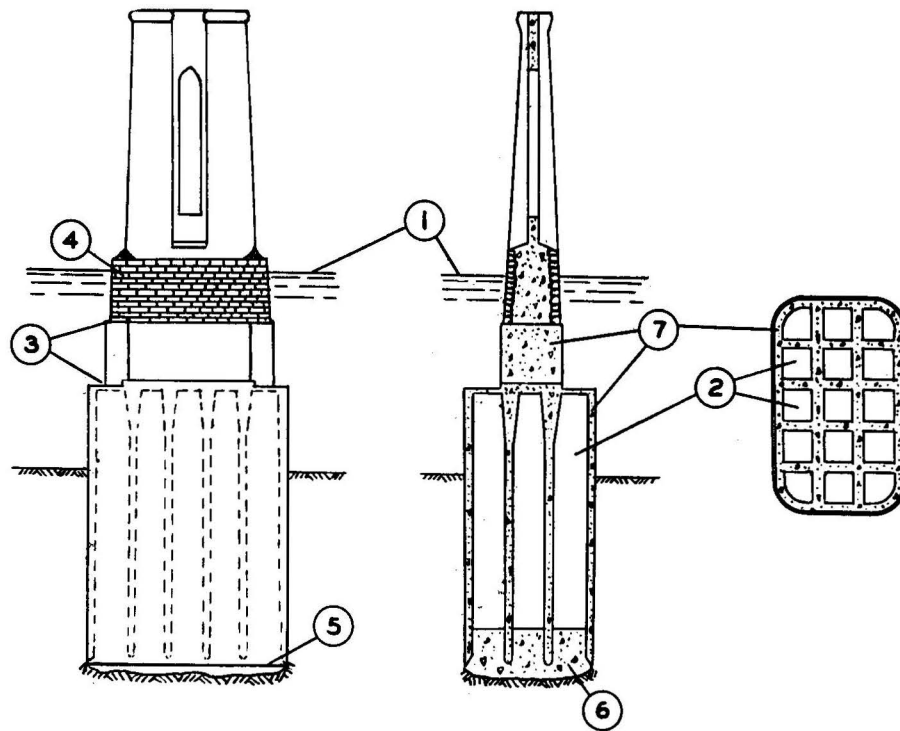
10



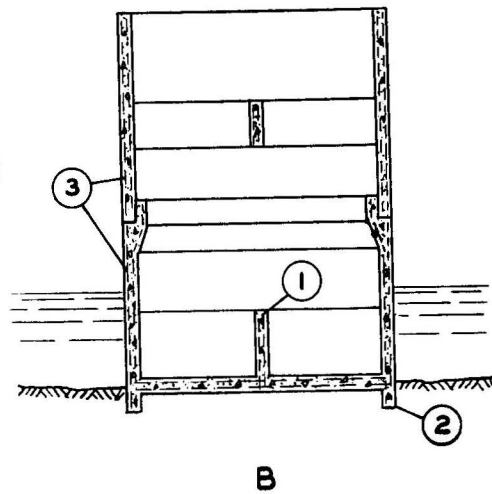
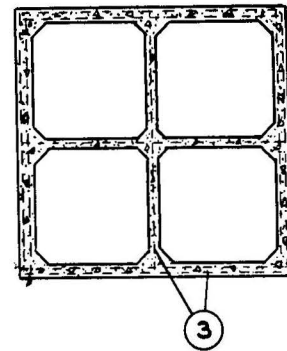
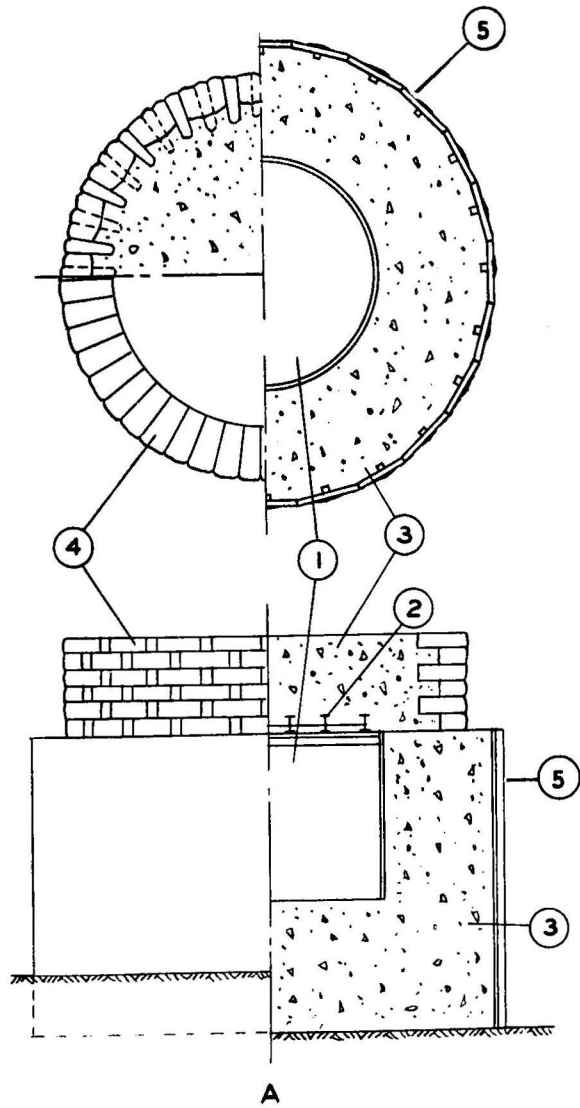


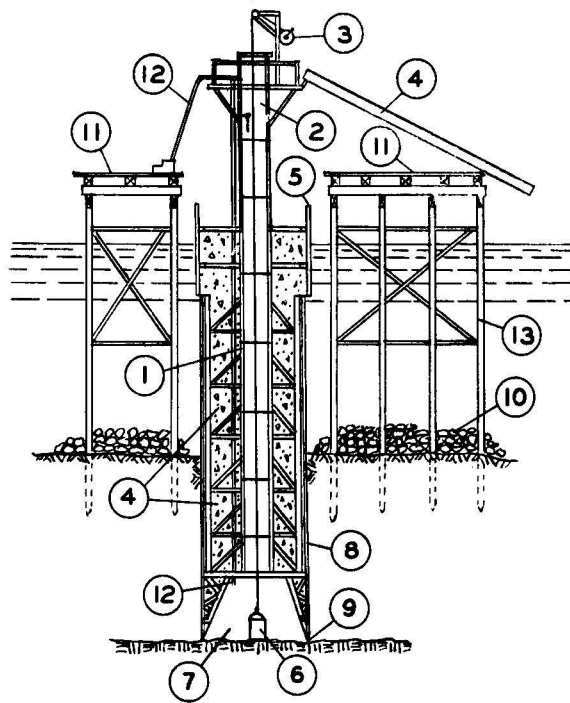


A

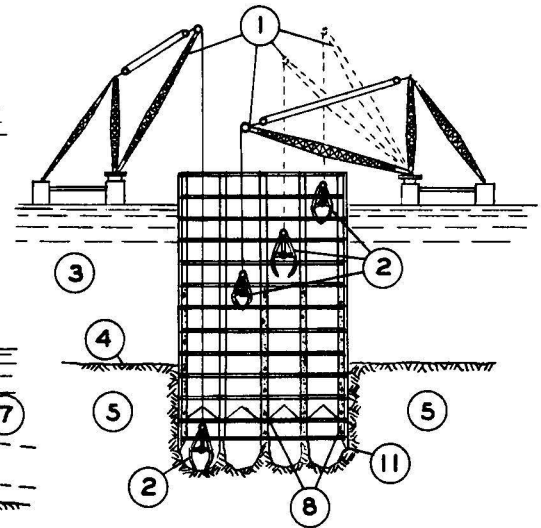
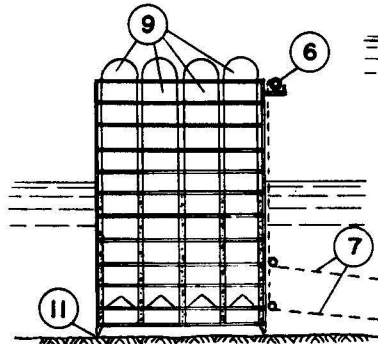
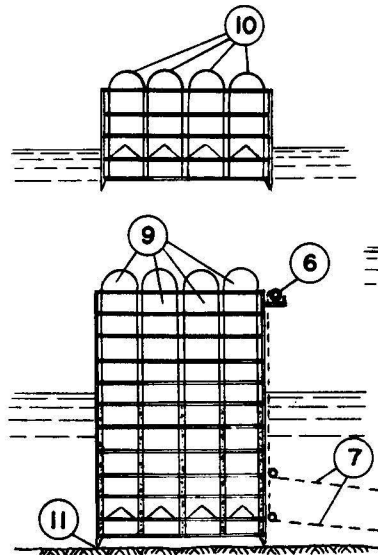


B

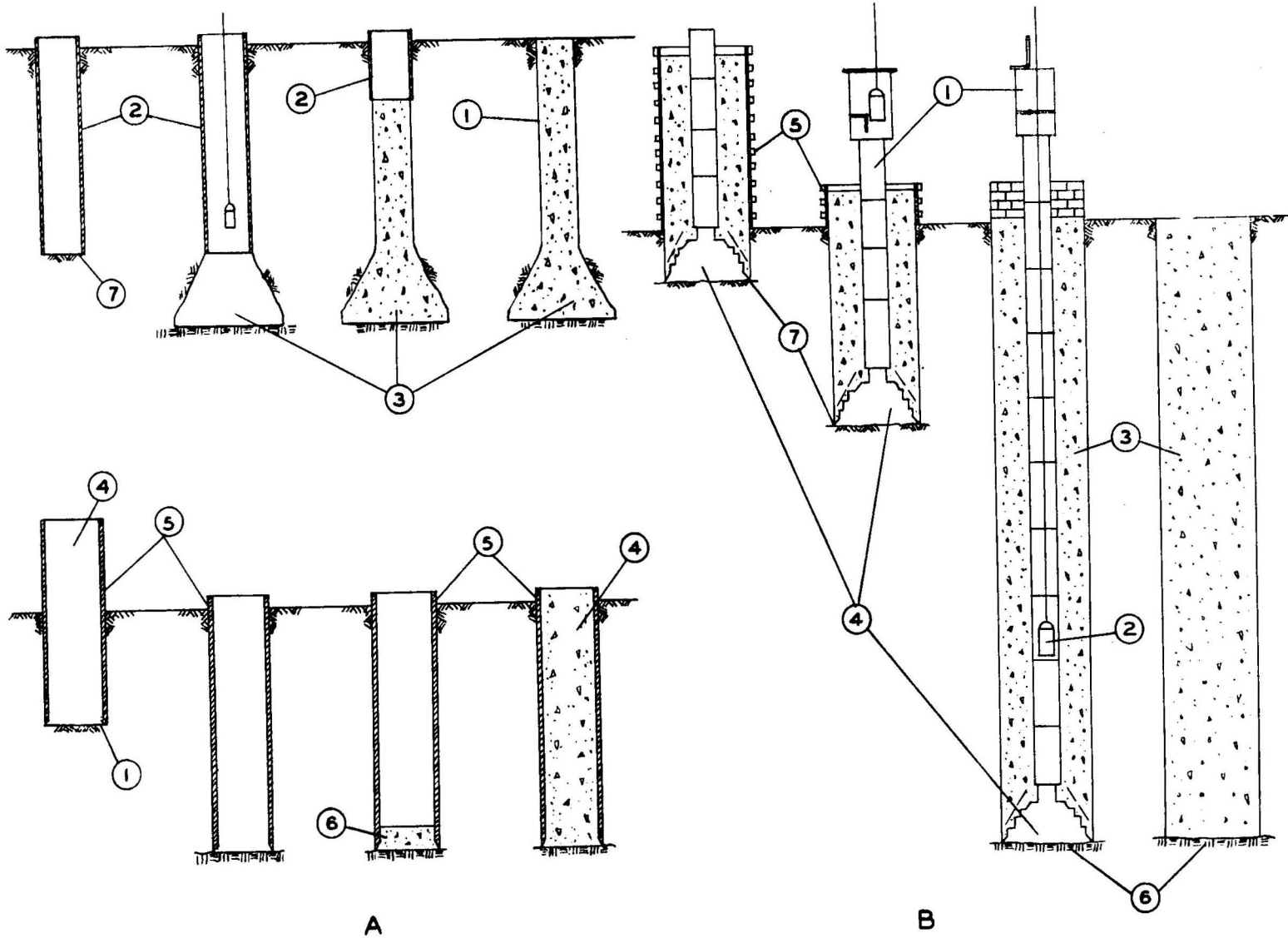




A

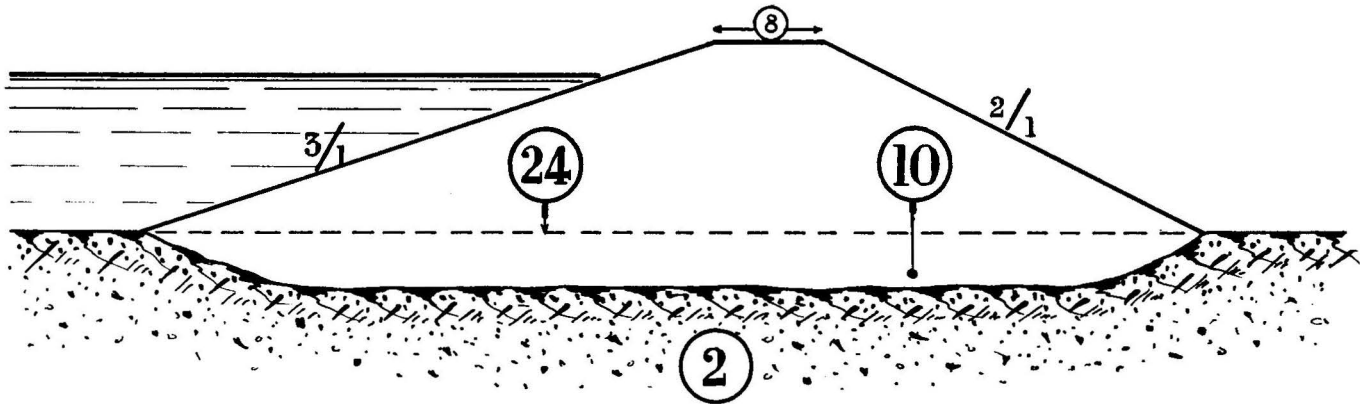
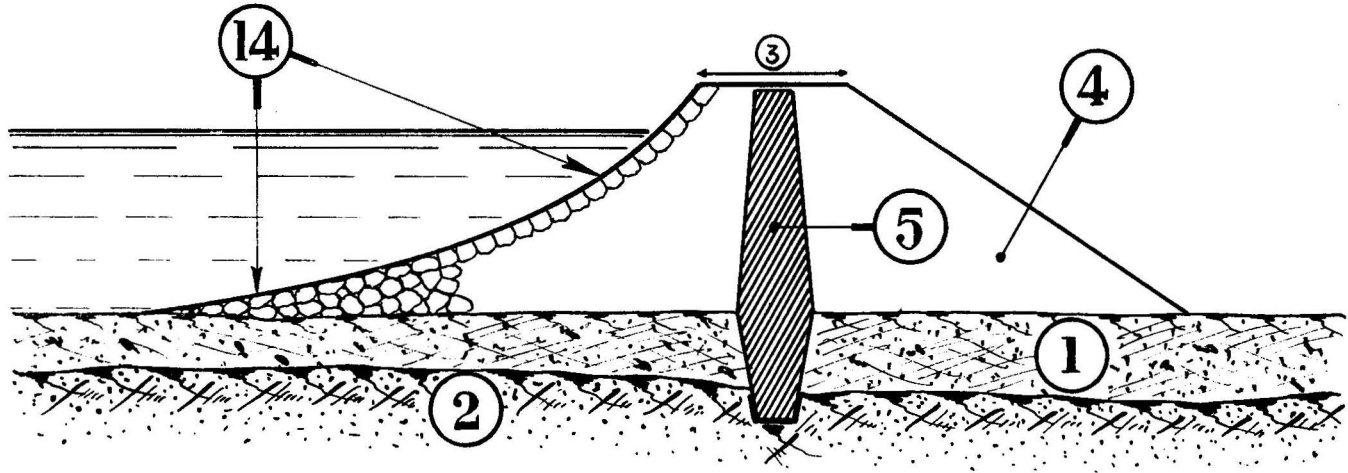


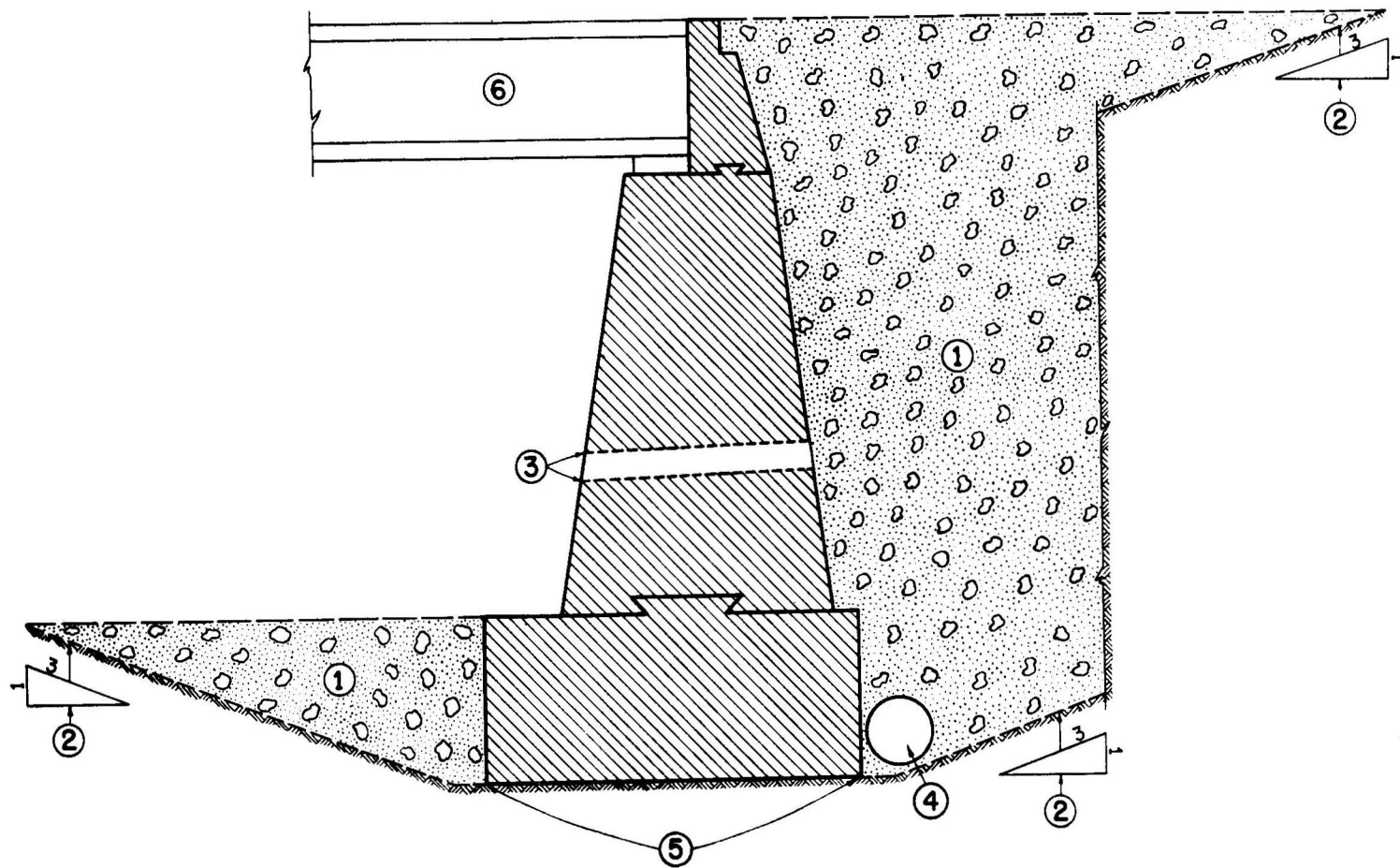
B

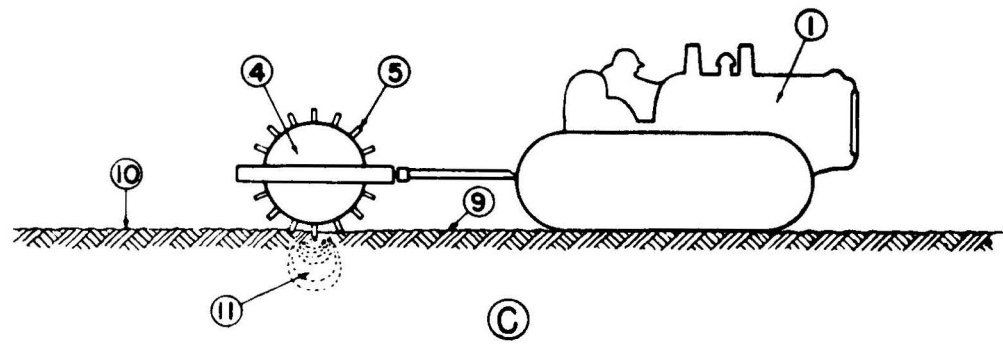
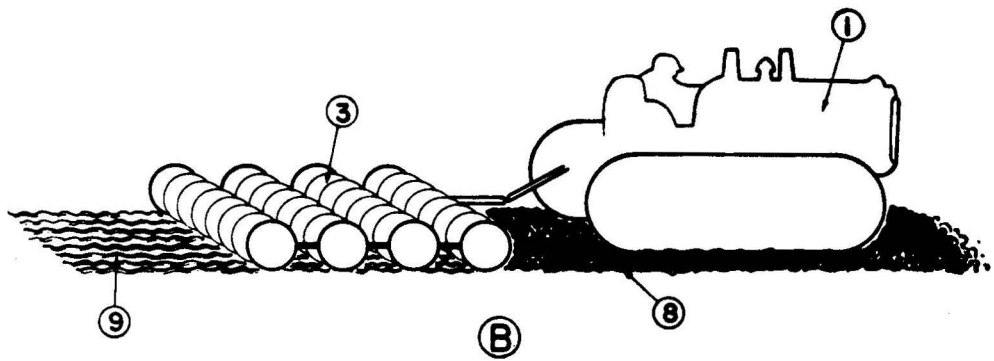
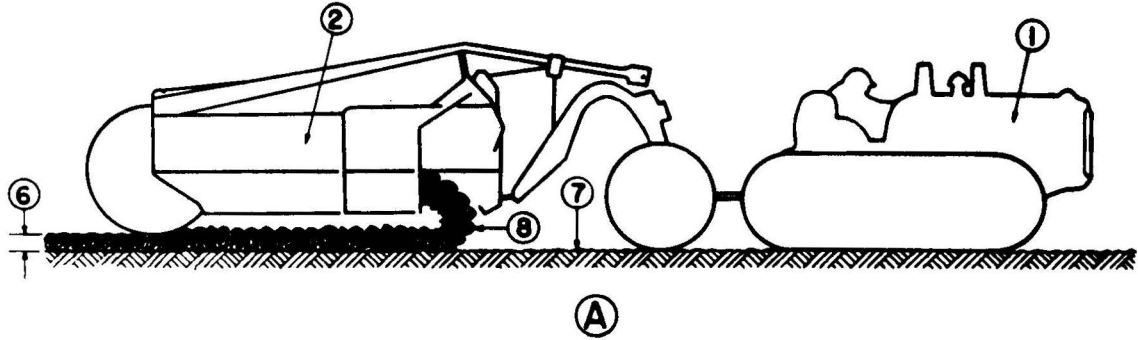


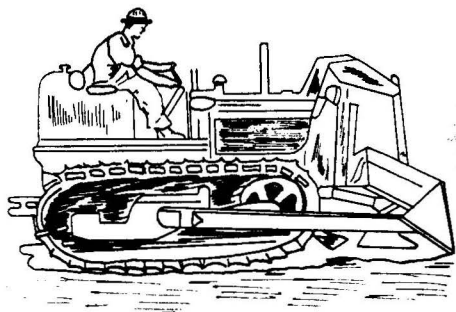
A

B

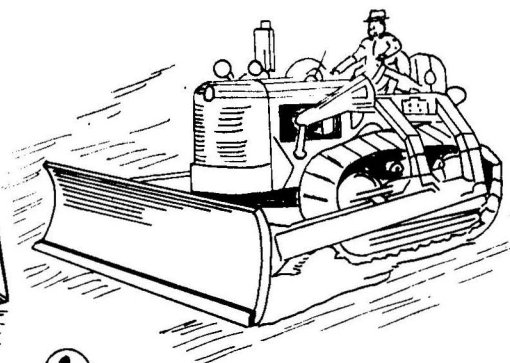




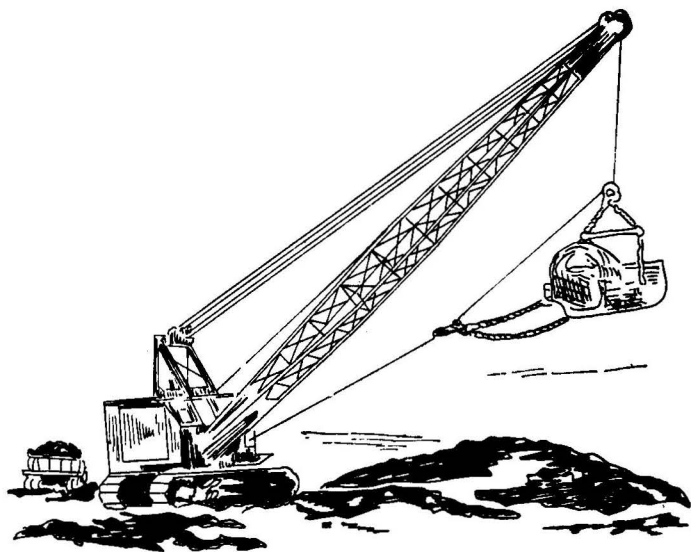
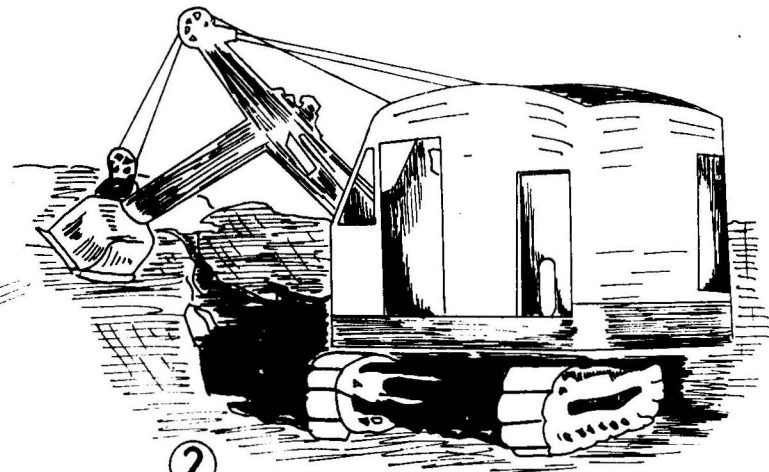




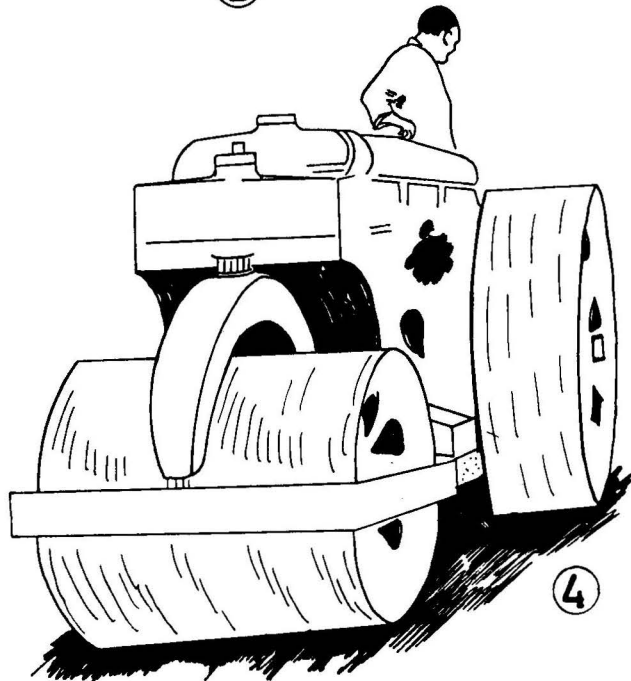
①



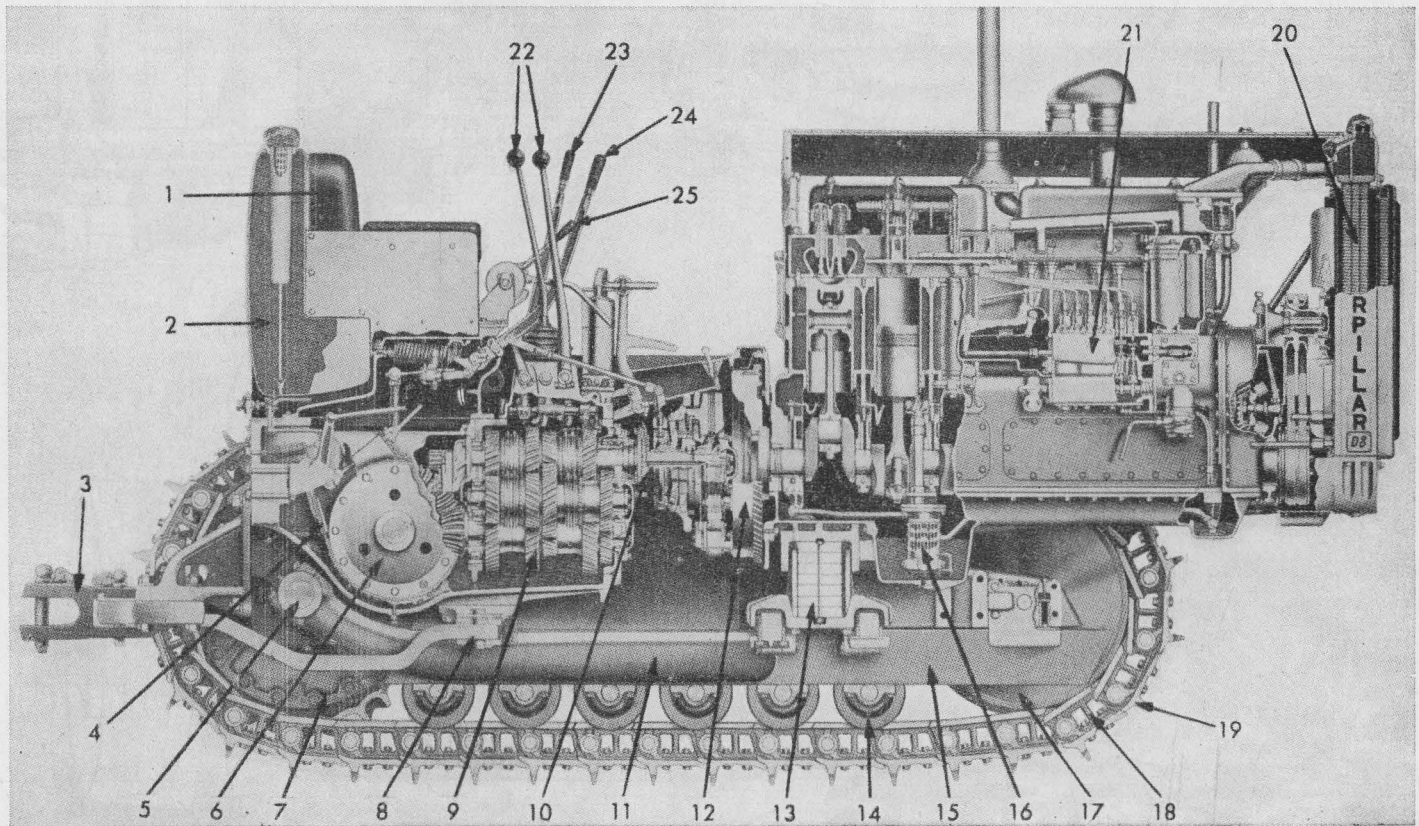
②

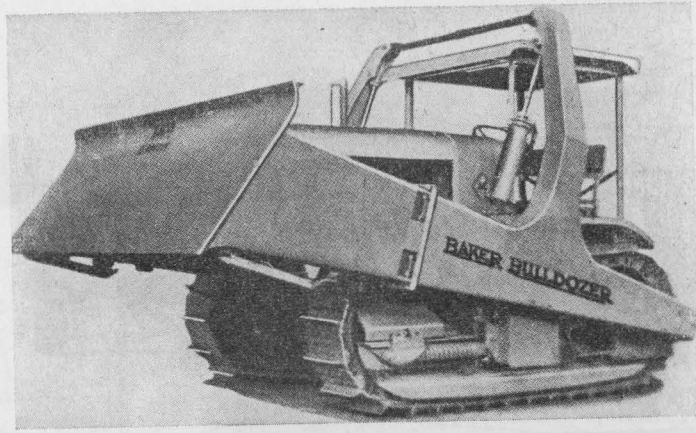


③



④

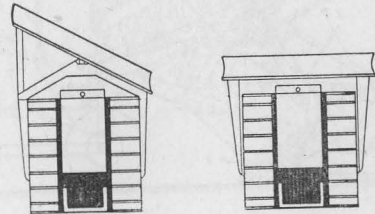




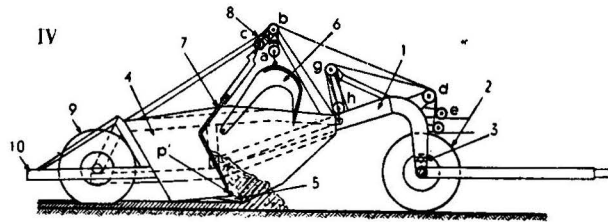
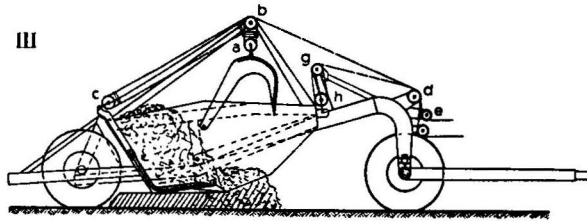
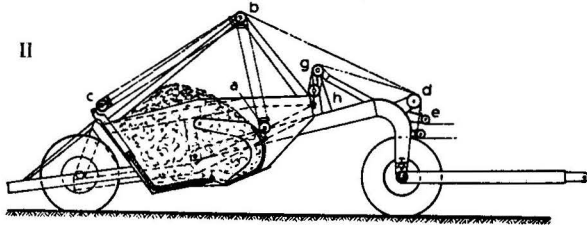
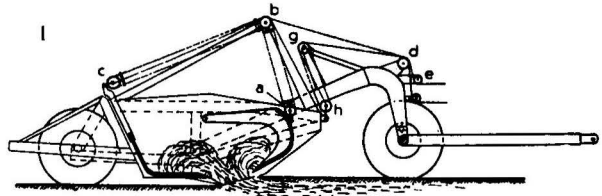
1



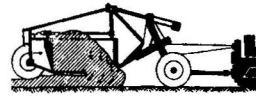
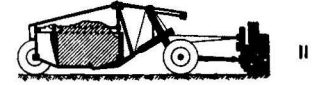
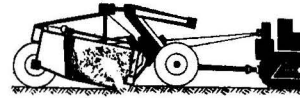
2



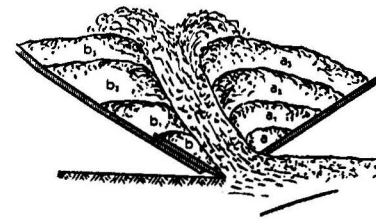
3



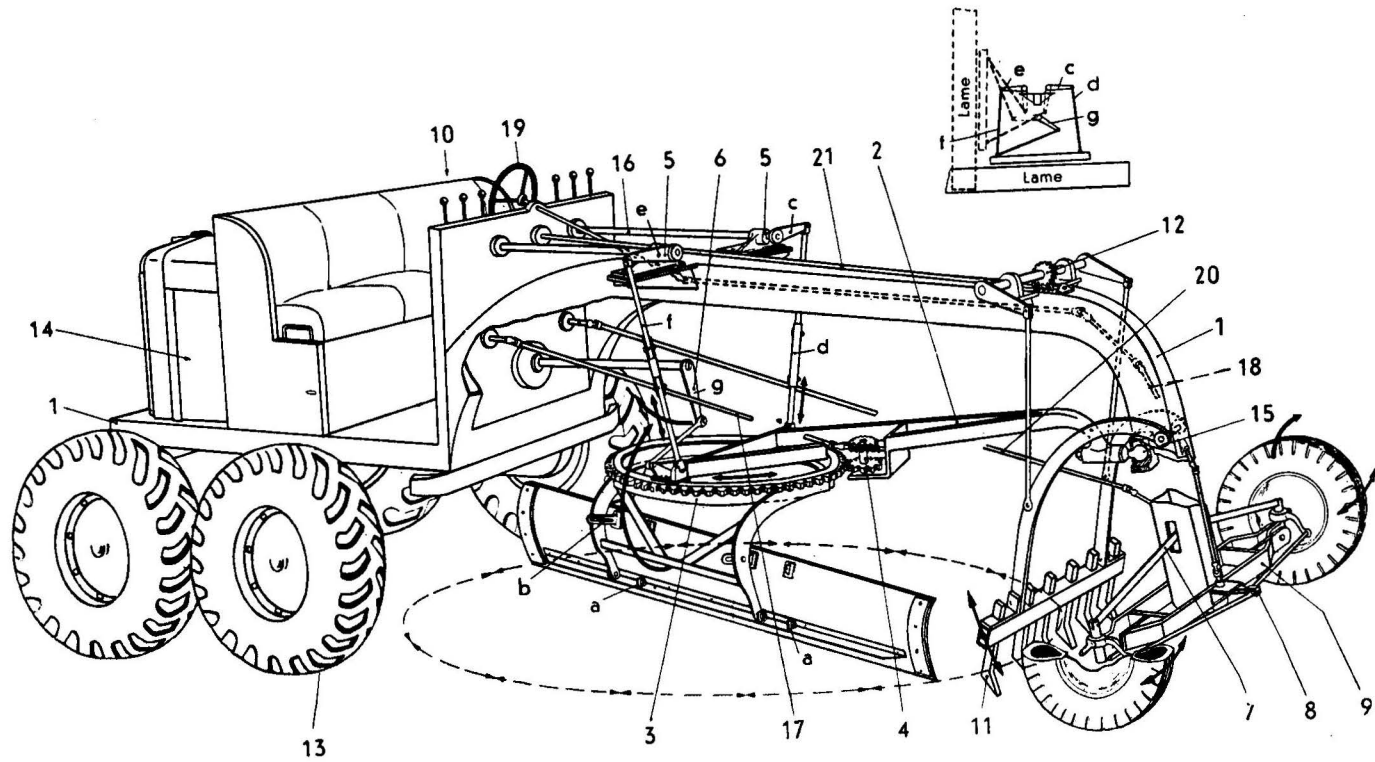
A

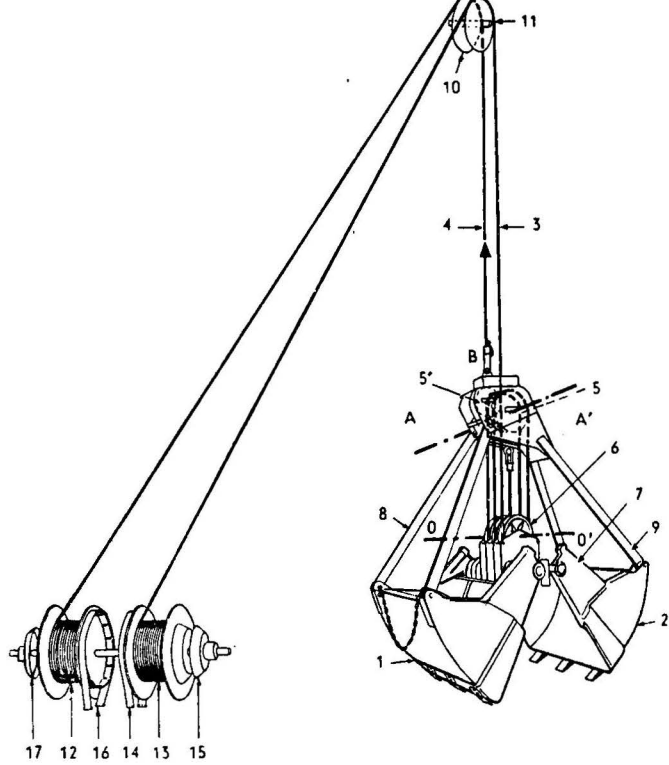


B

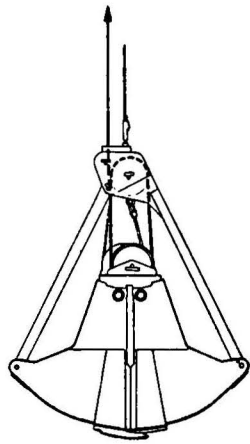


C

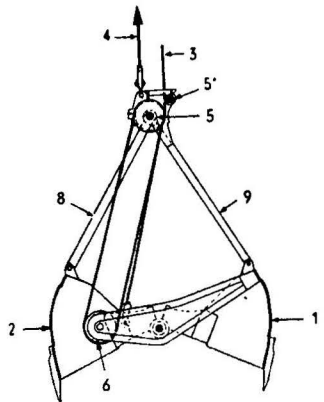




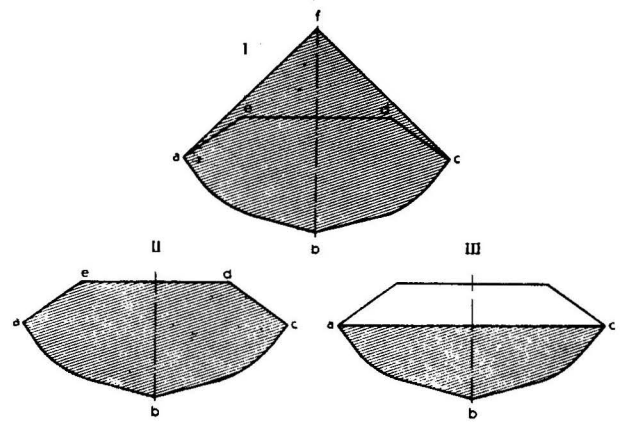
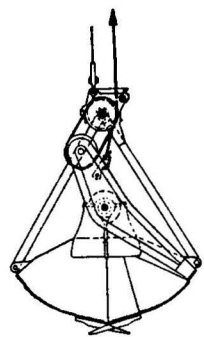
A



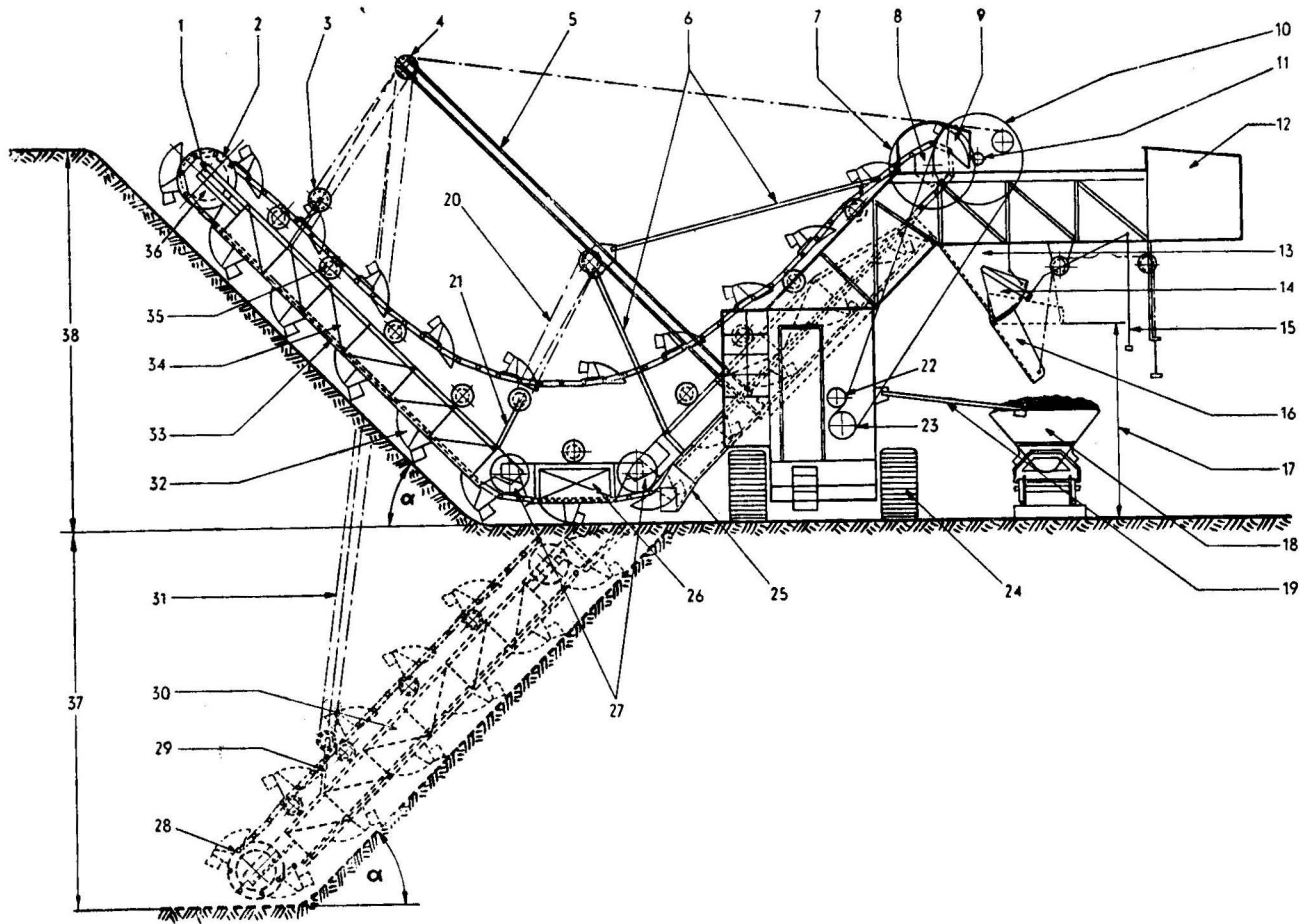
17 12 16 14 13 15

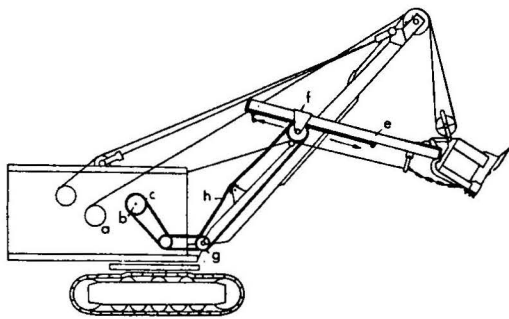


B

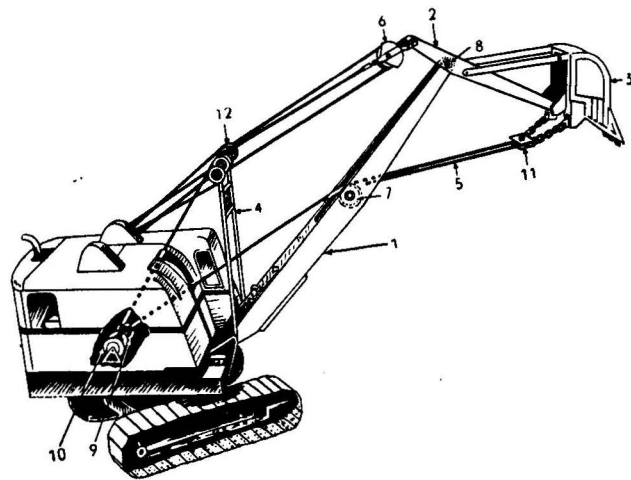


C

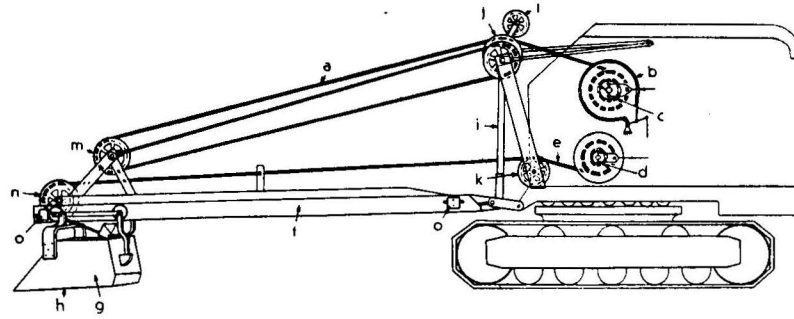




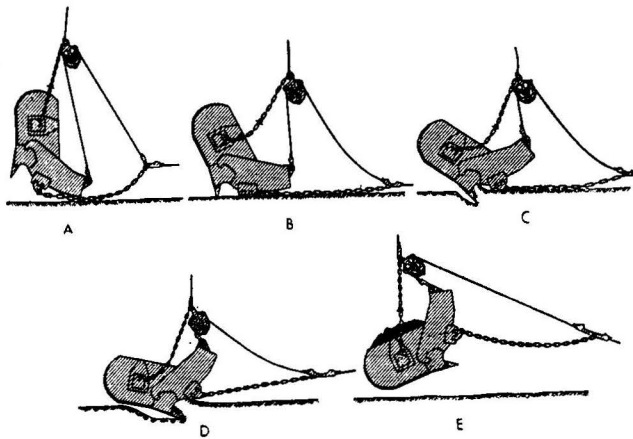
A



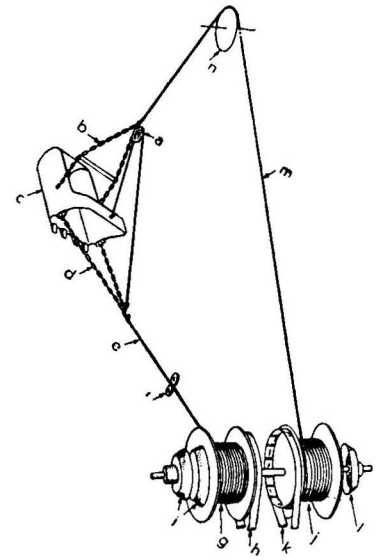
B



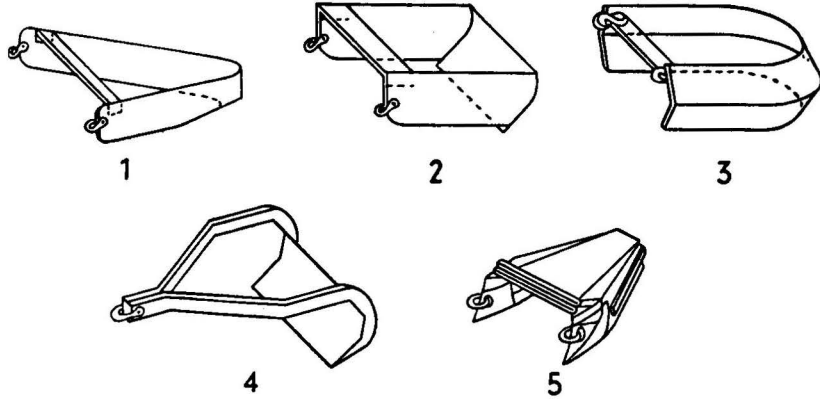
1



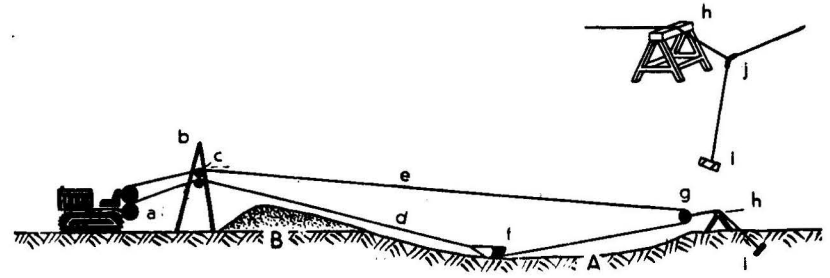
2



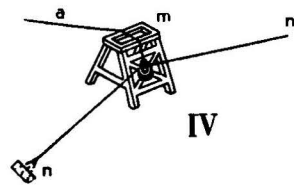
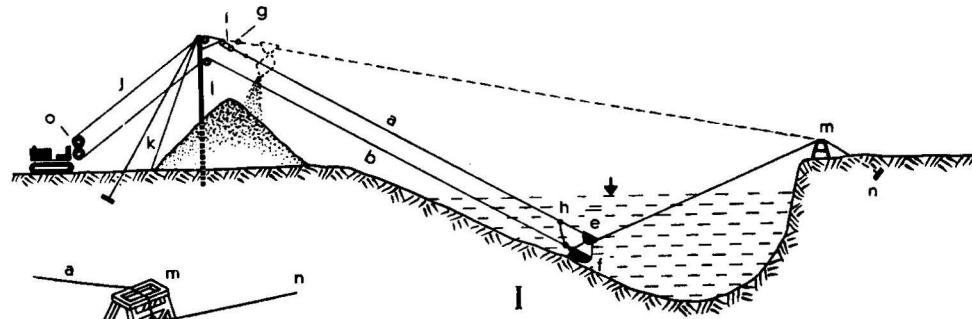
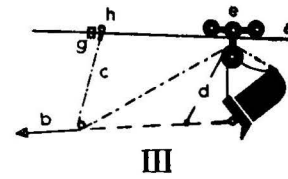
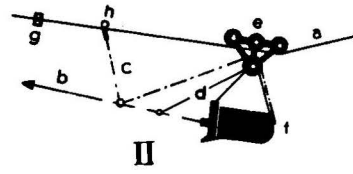
3



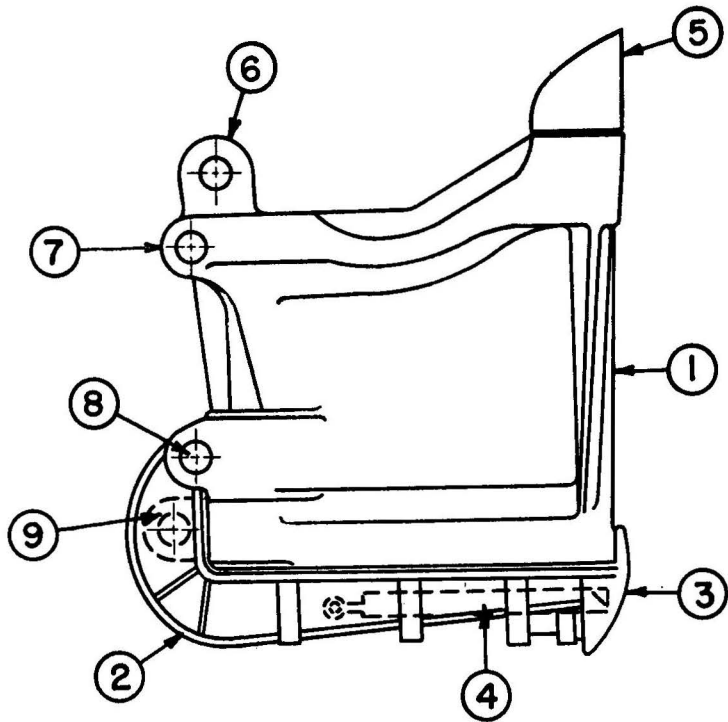
A



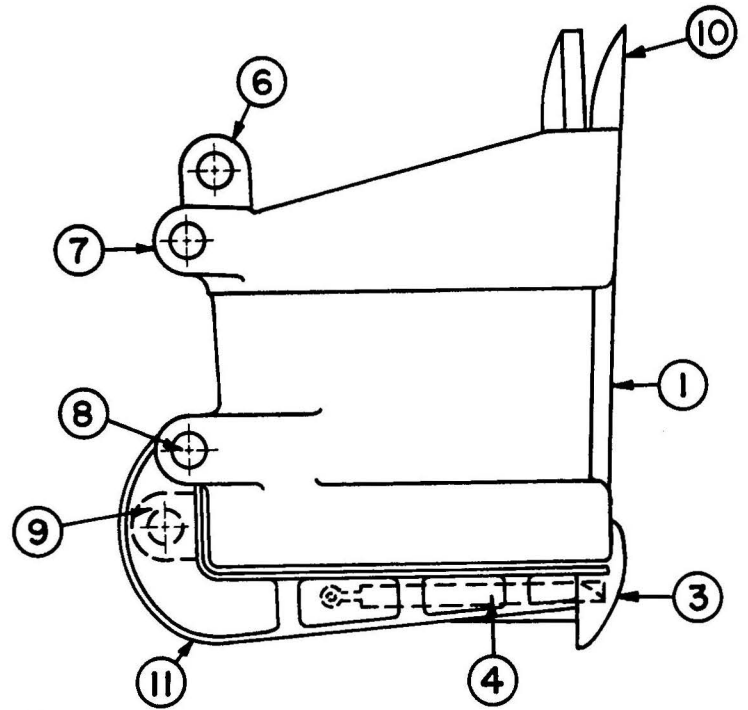
B



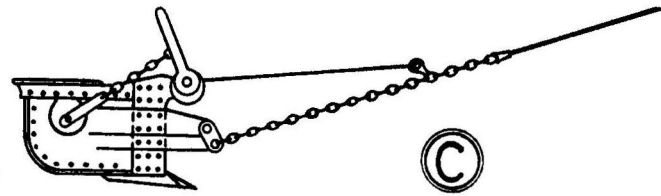
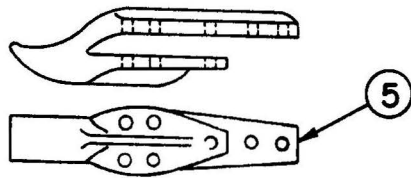
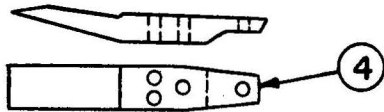
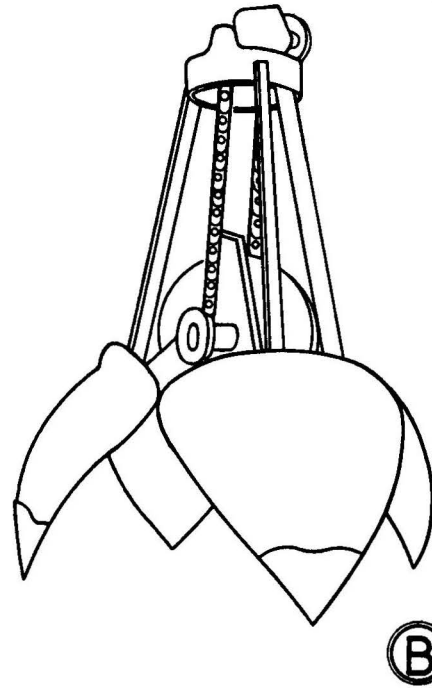
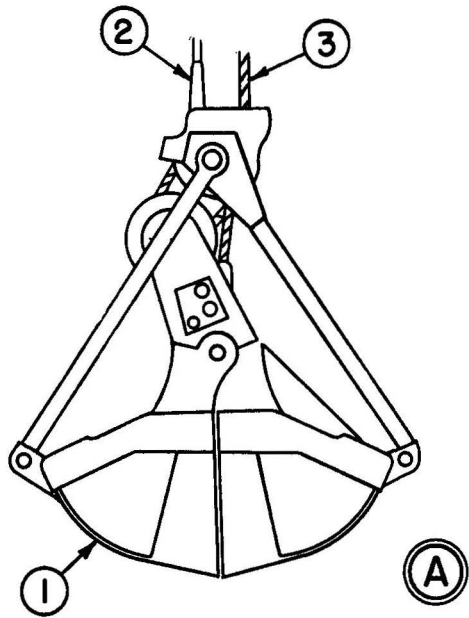
C

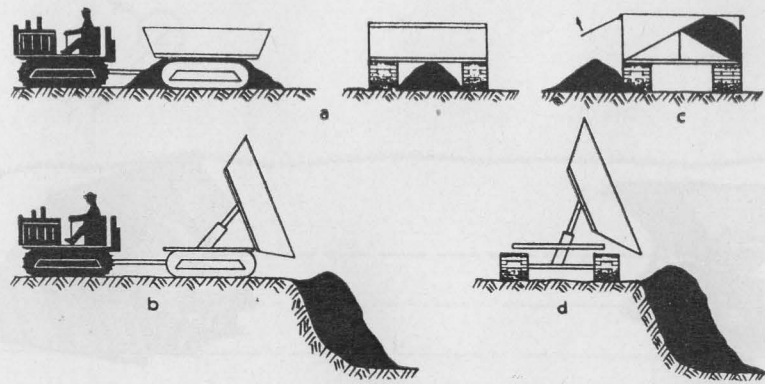


(A)

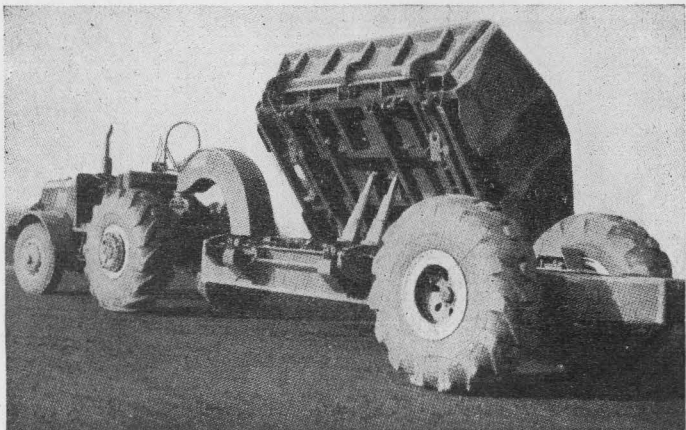


(B)





1

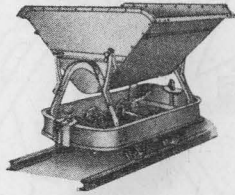


2

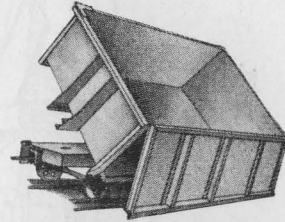


3

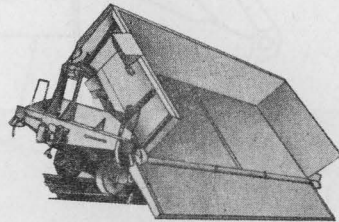
1



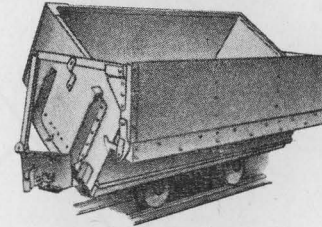
2



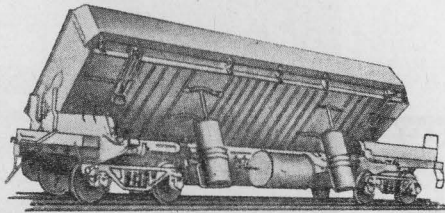
3



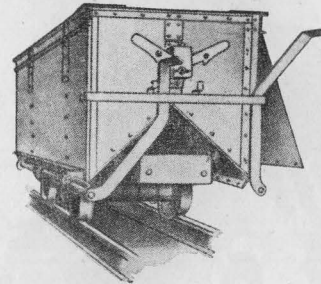
4

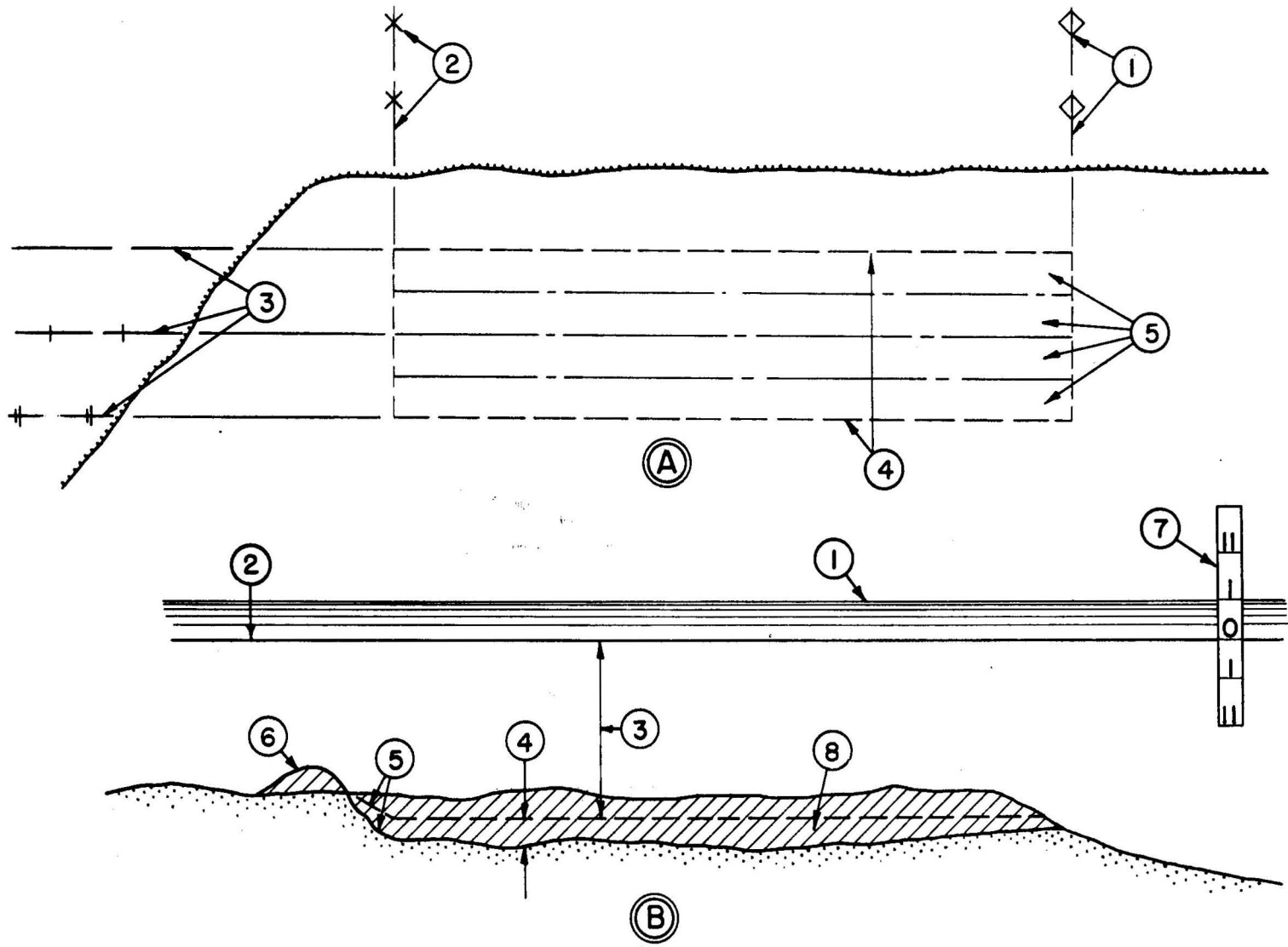


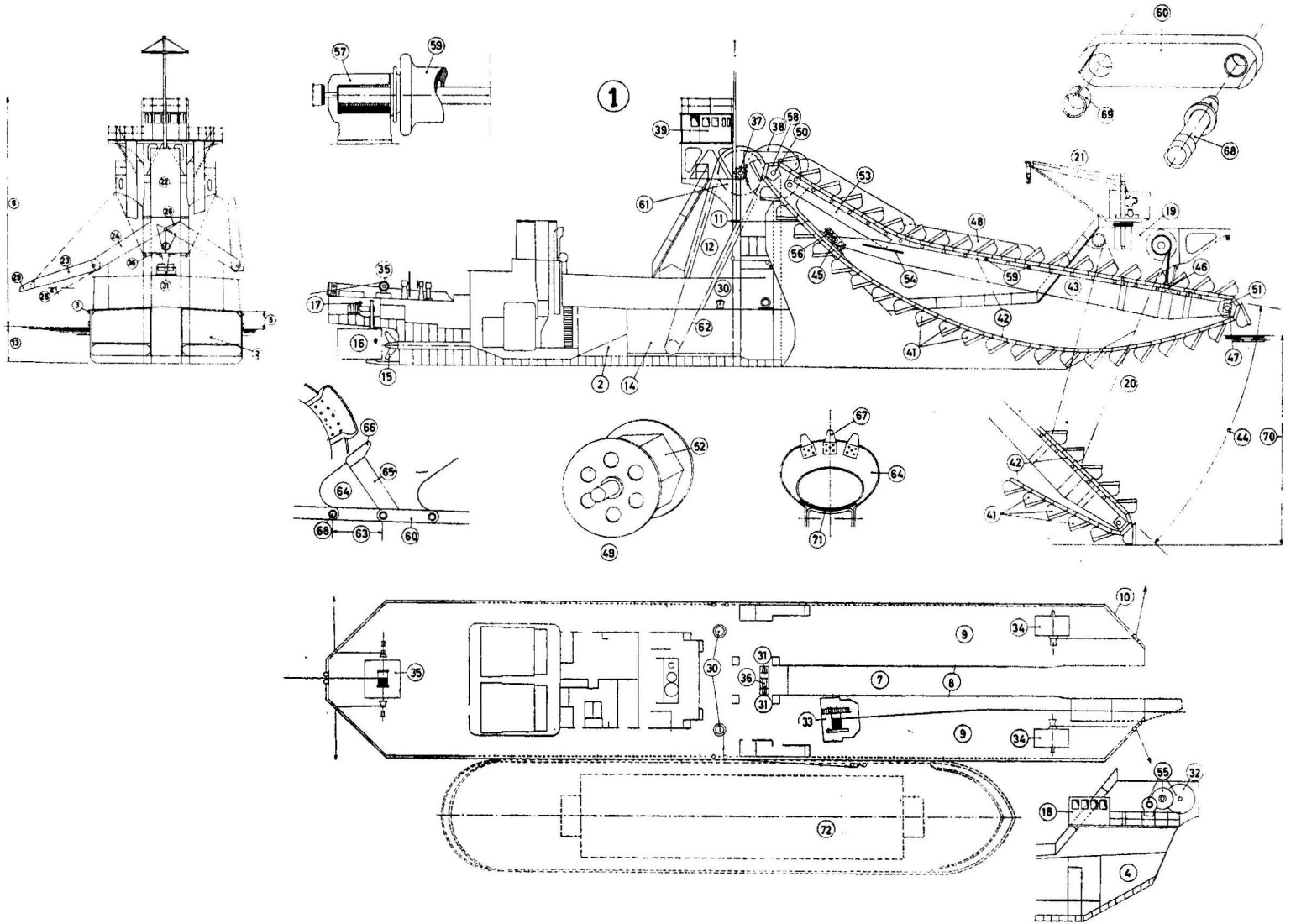
5

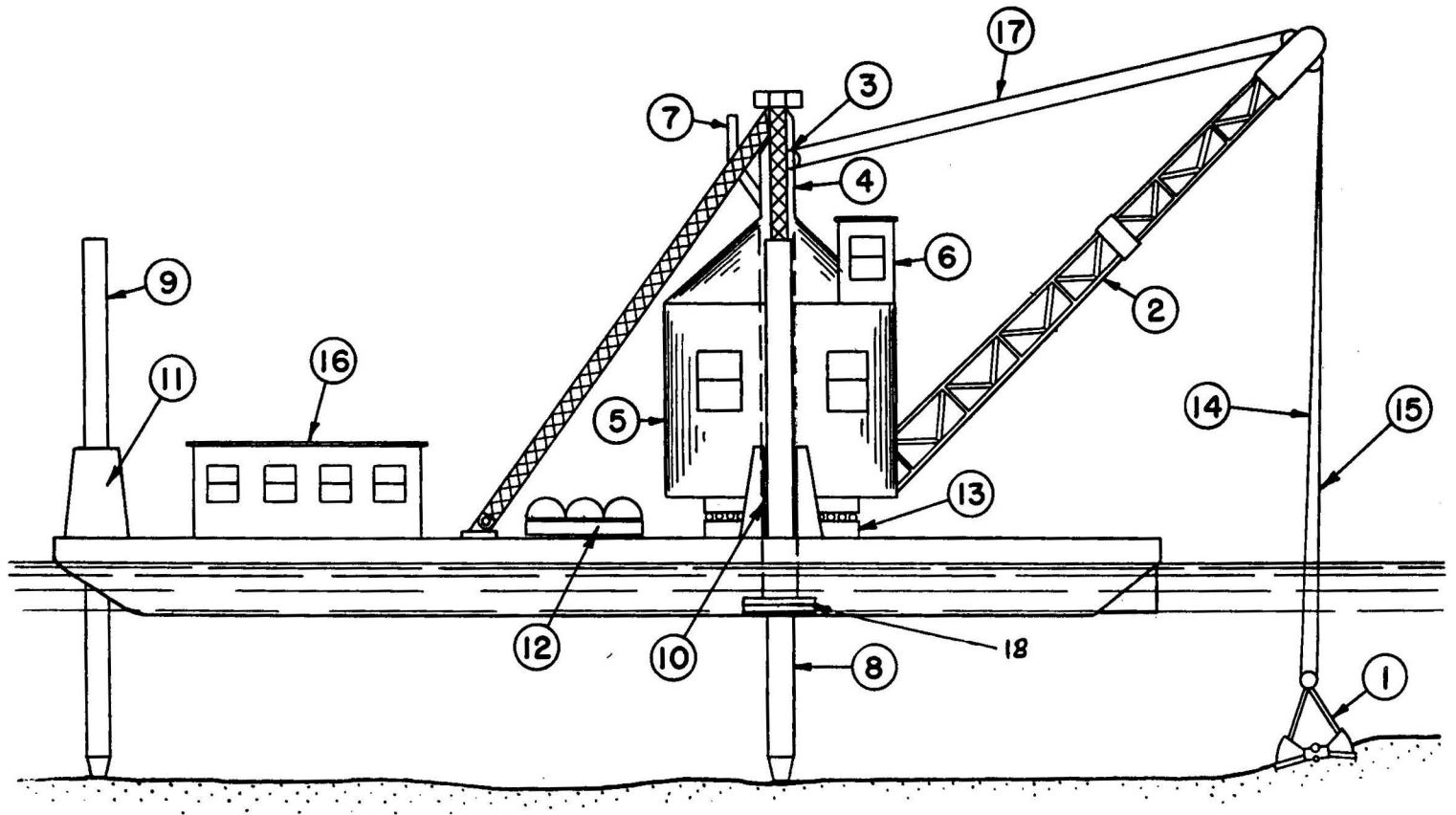


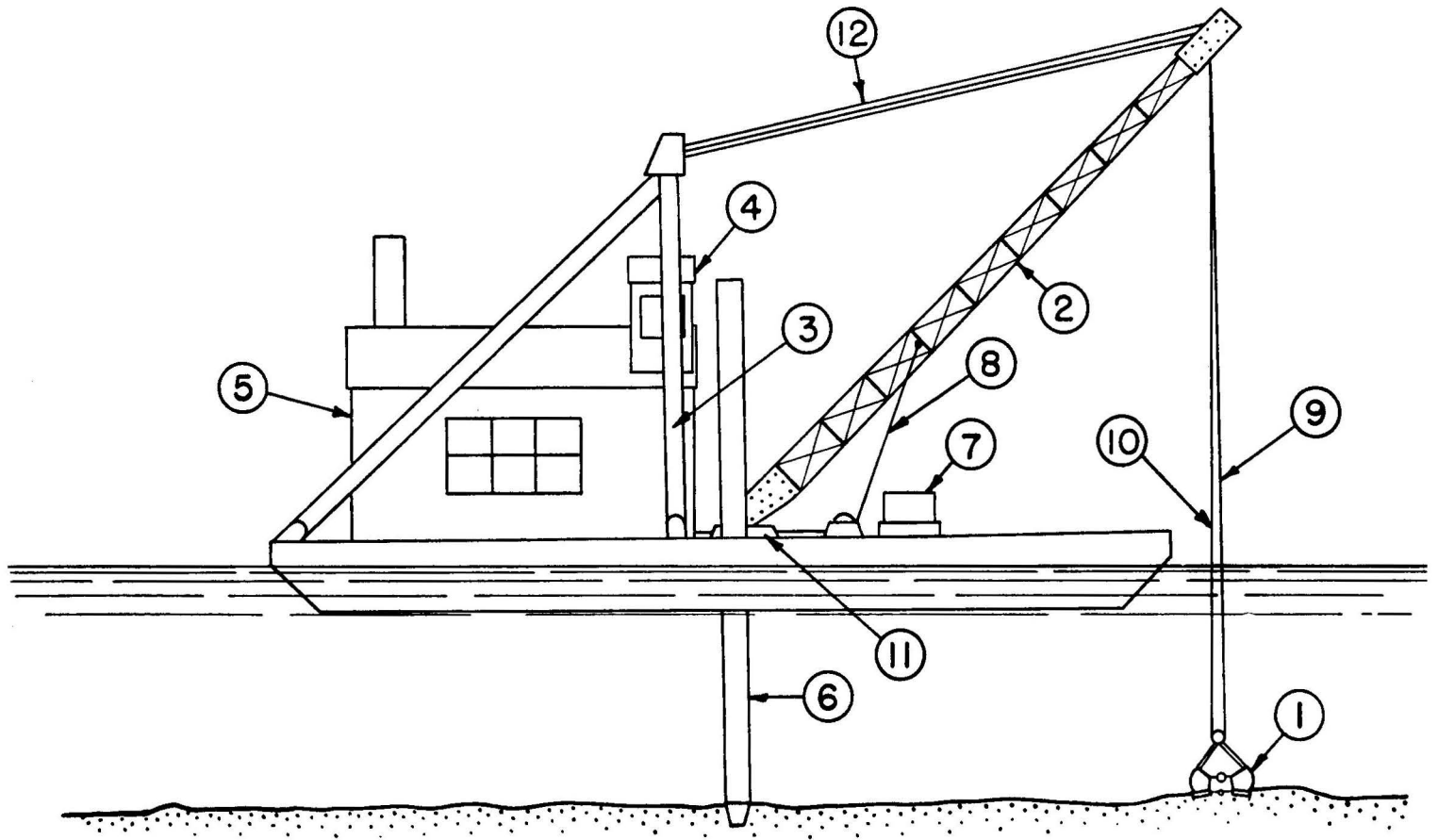
6

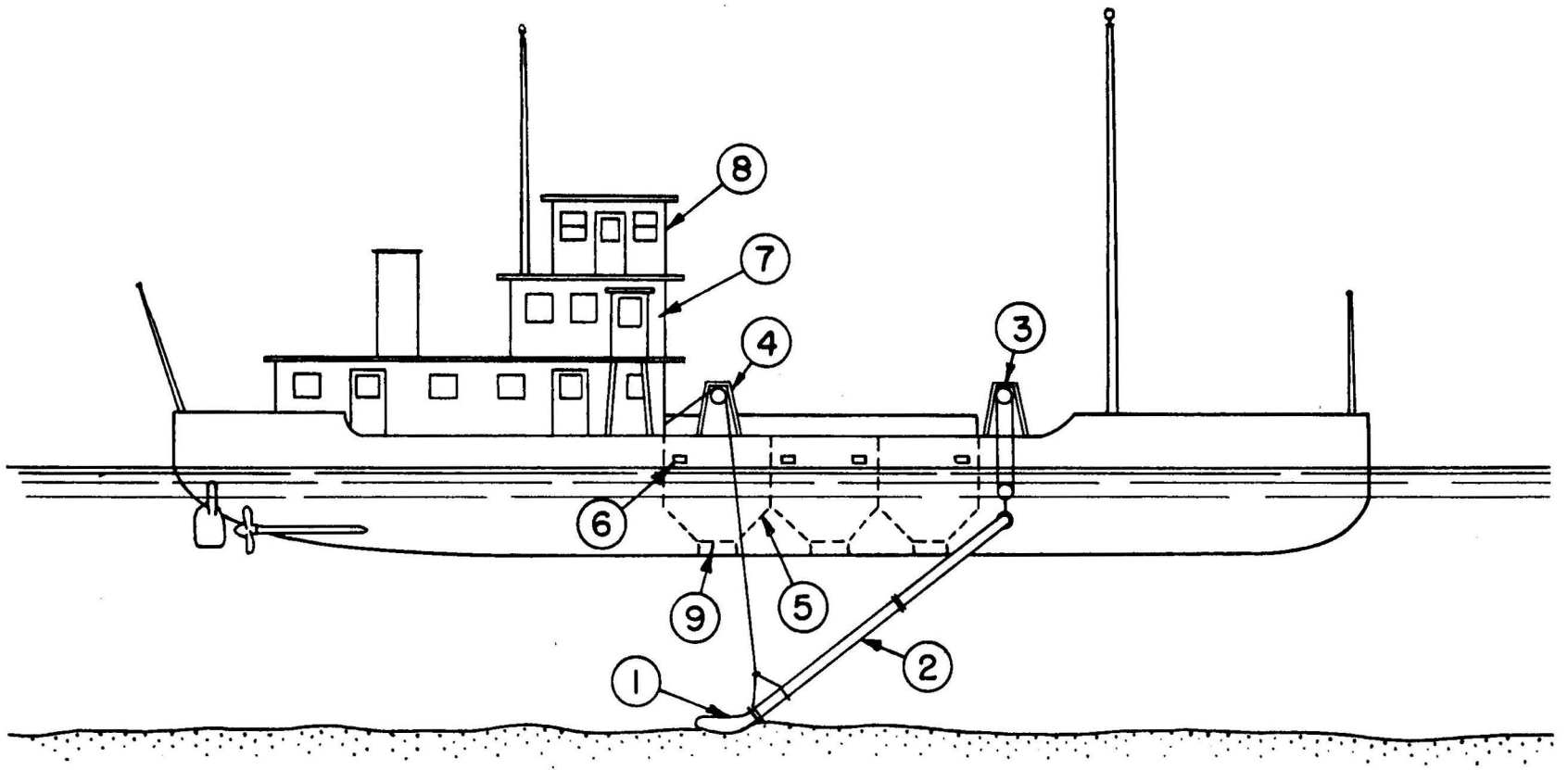


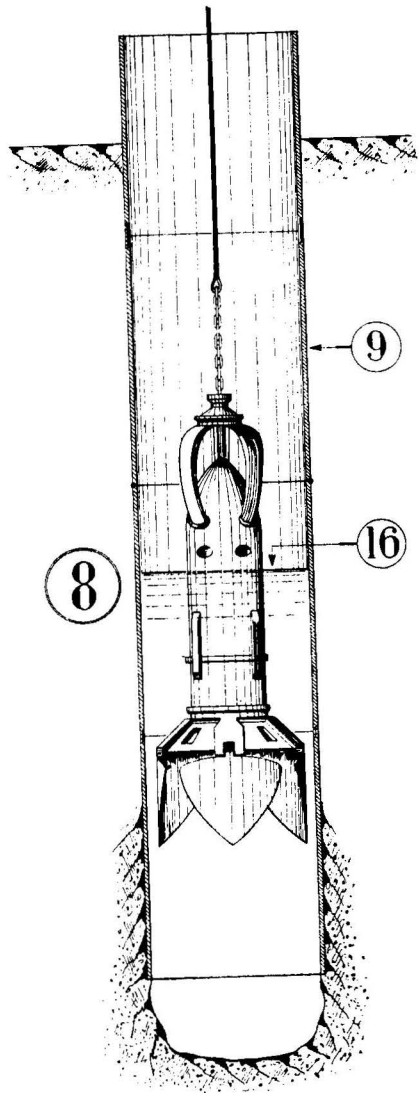




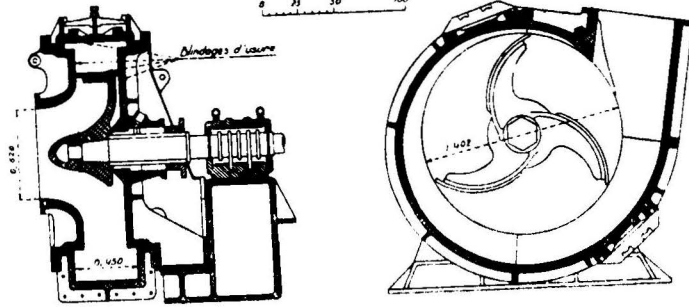




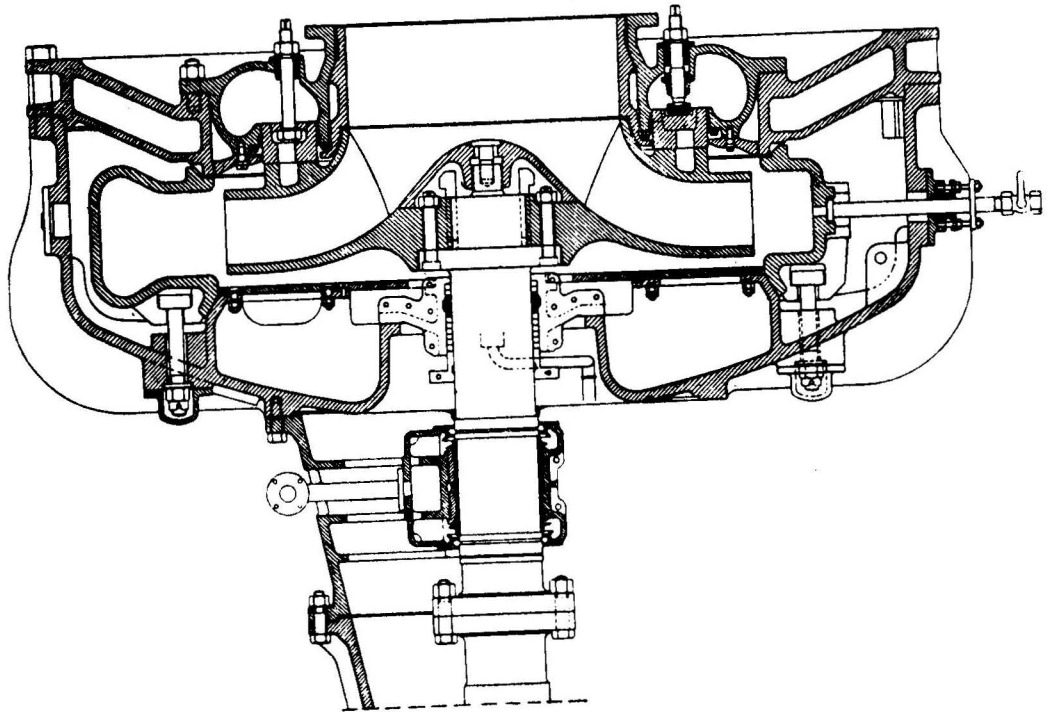




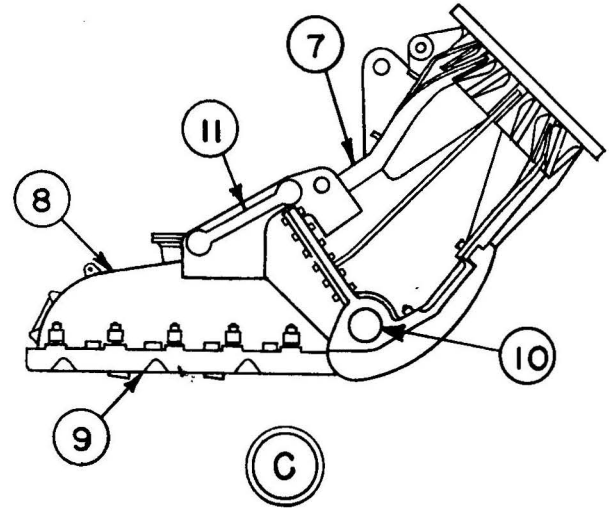
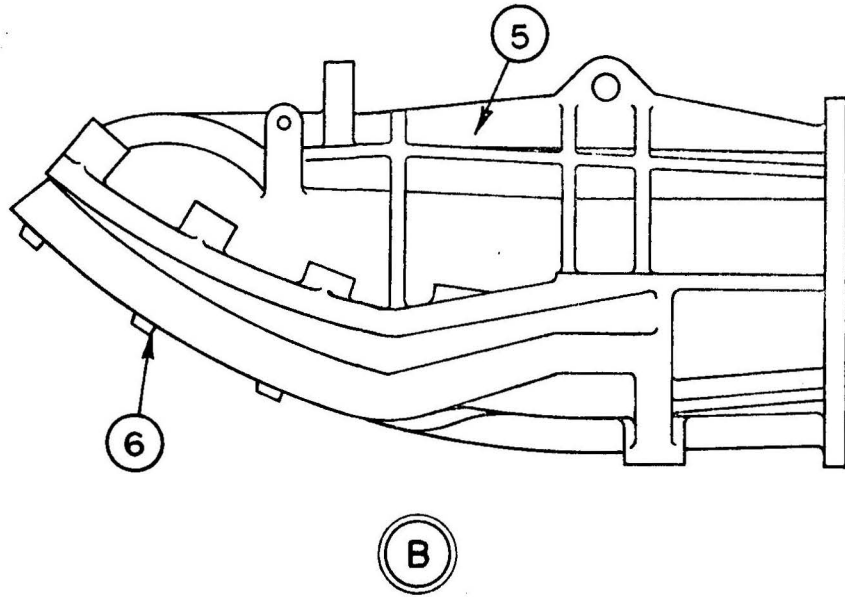
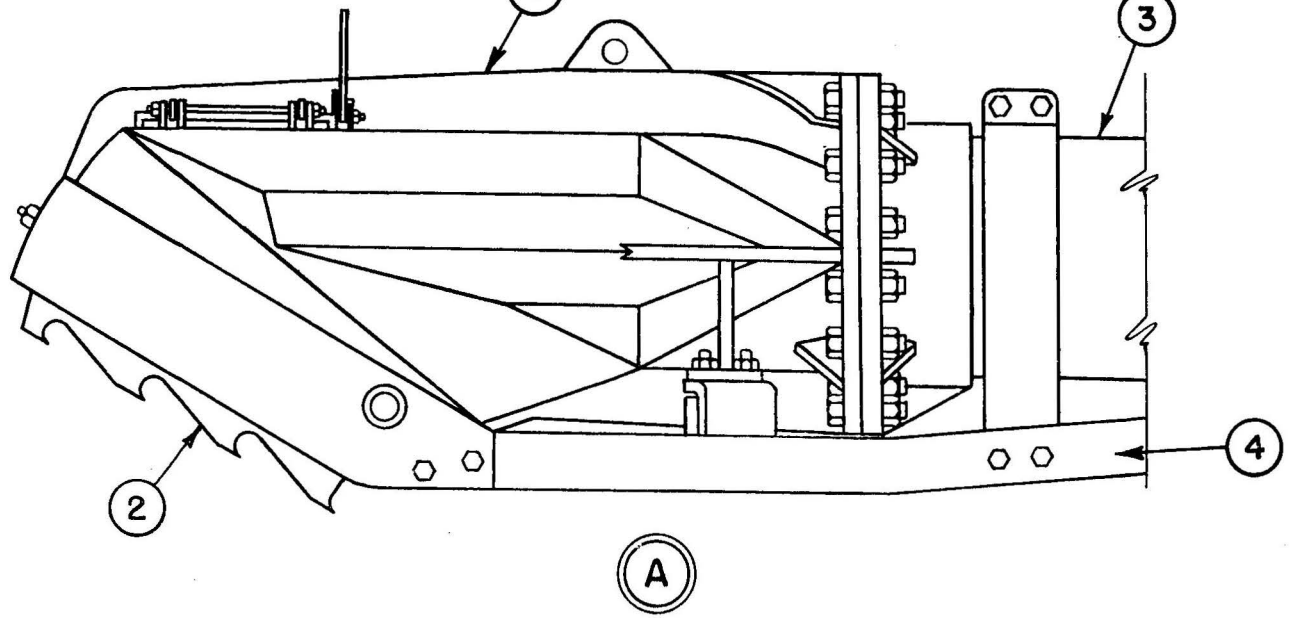
A

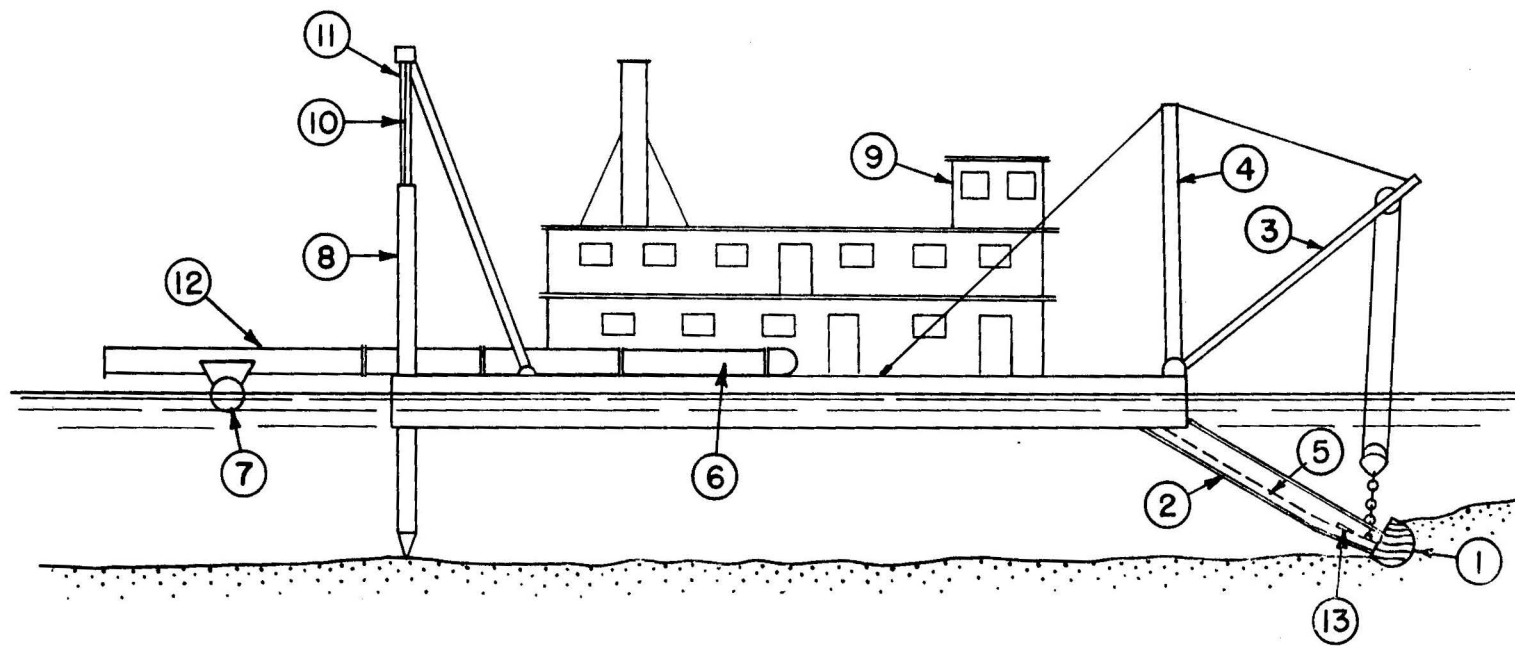


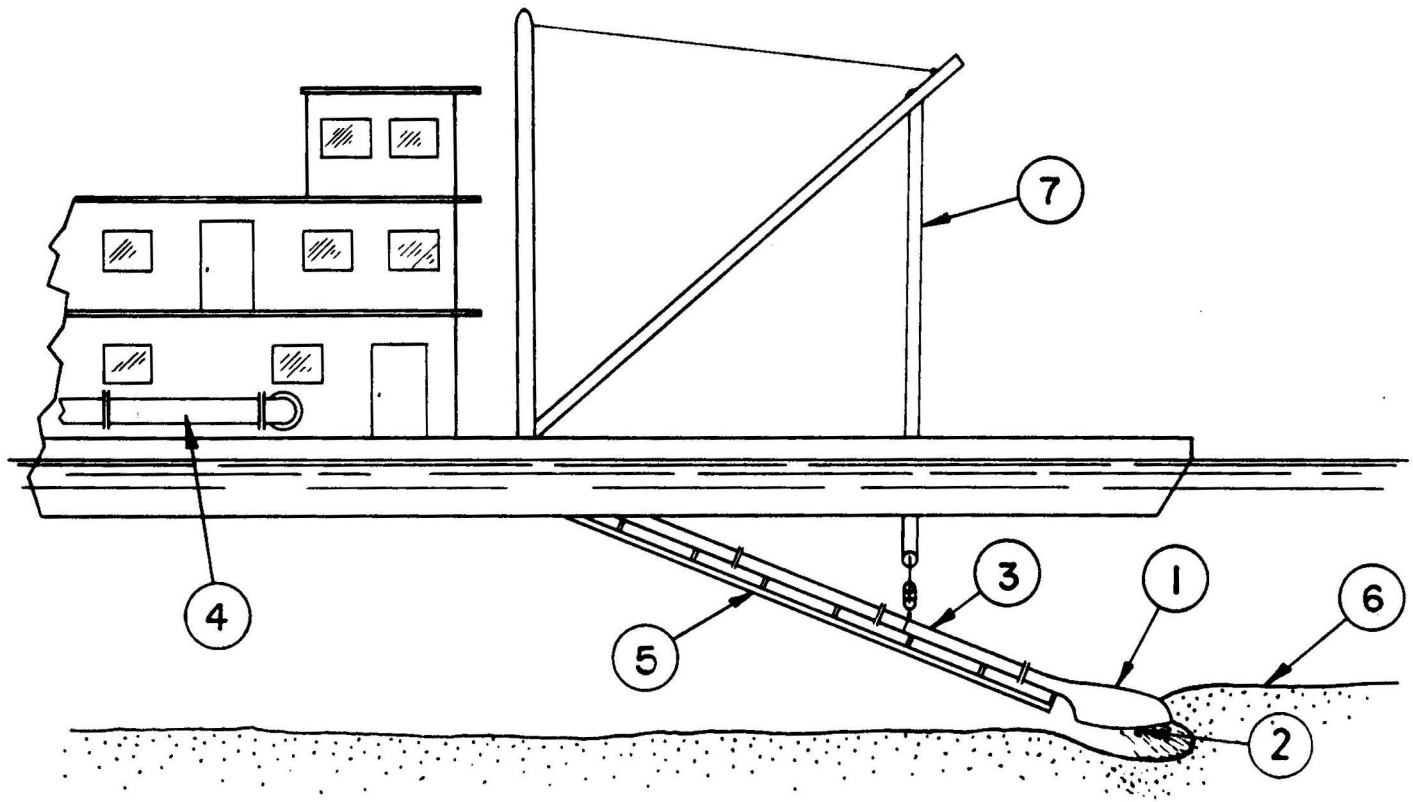
B

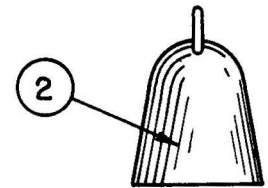
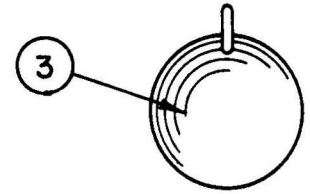
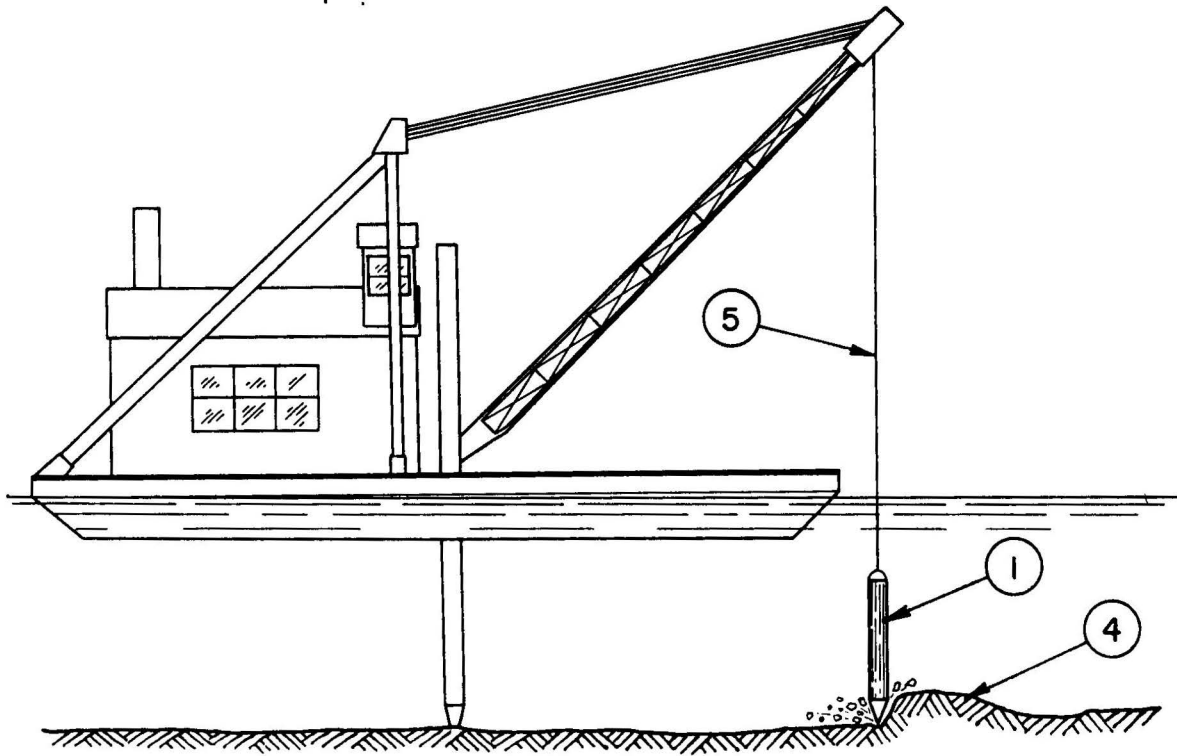


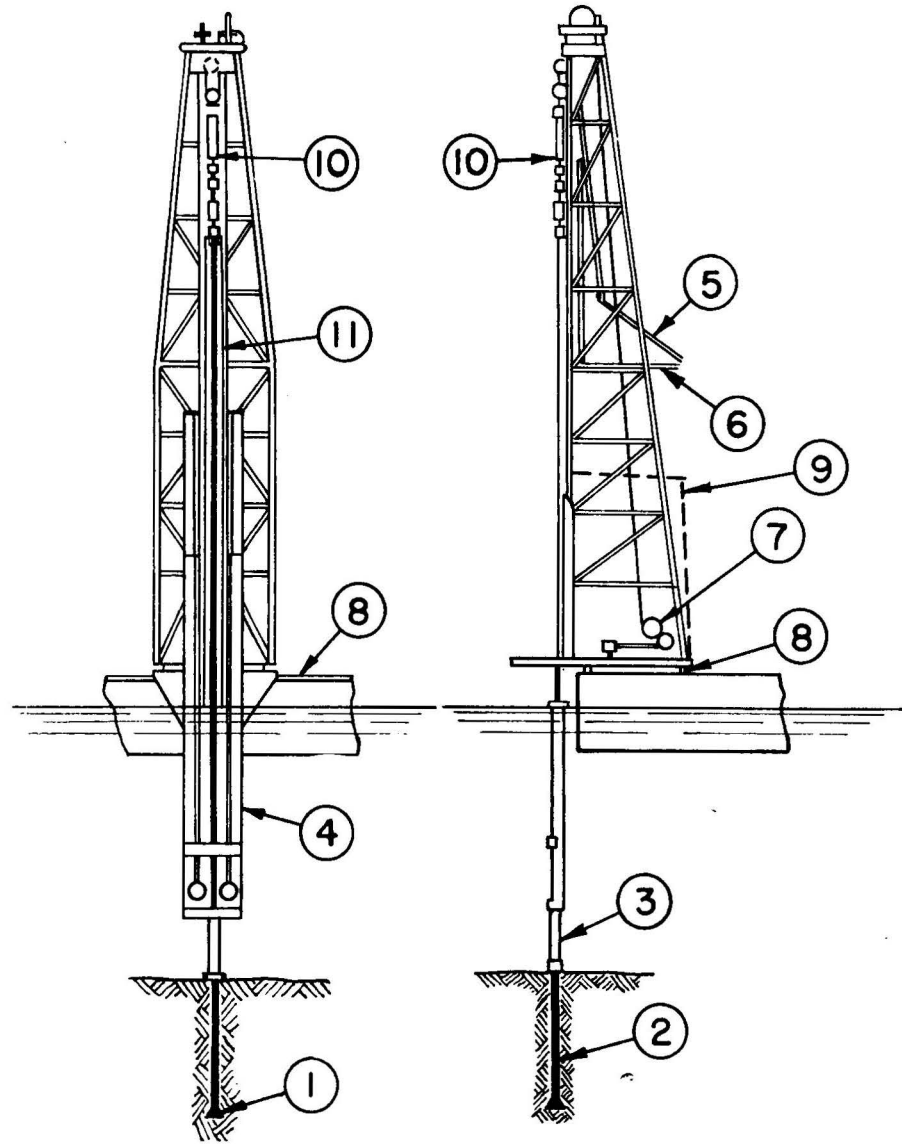
C

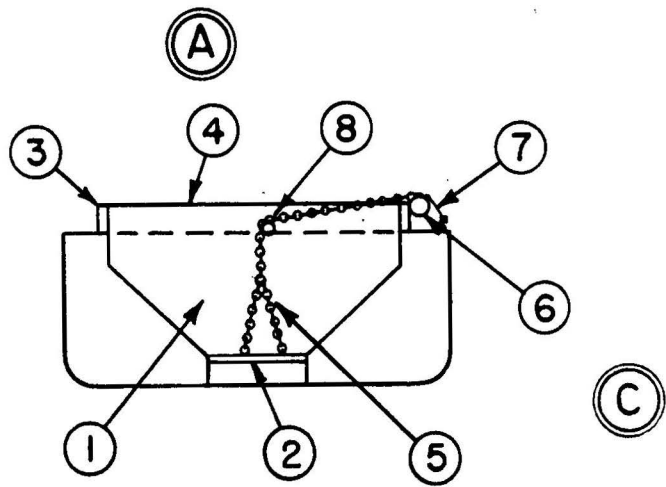
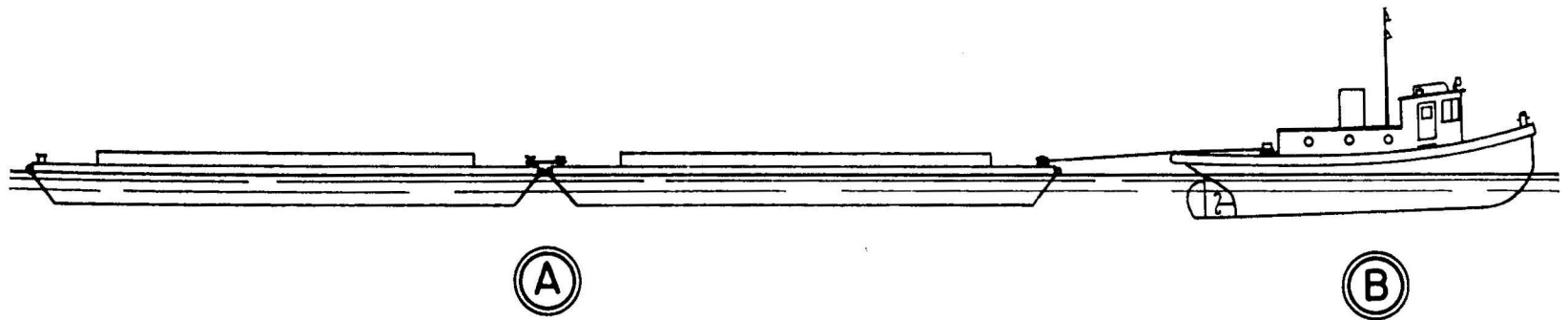


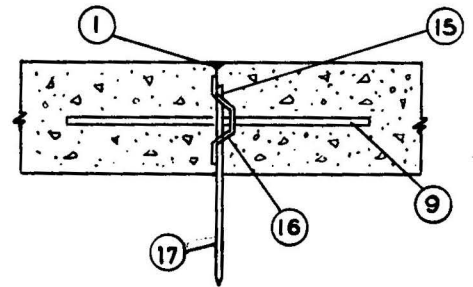
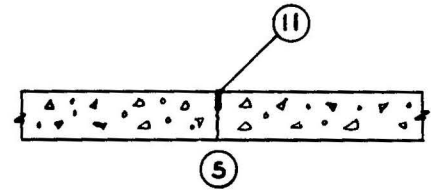
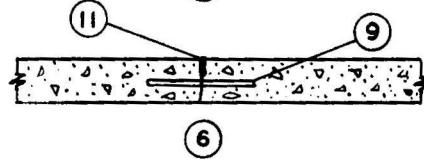
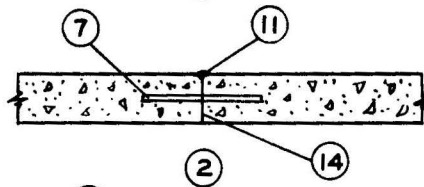
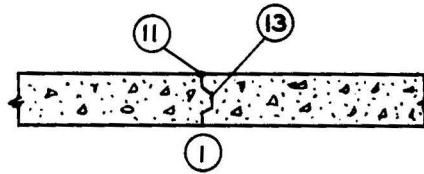
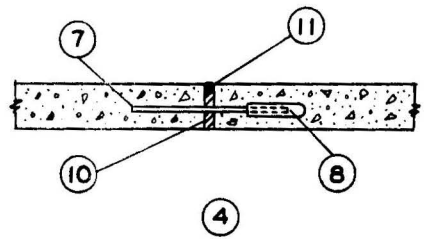
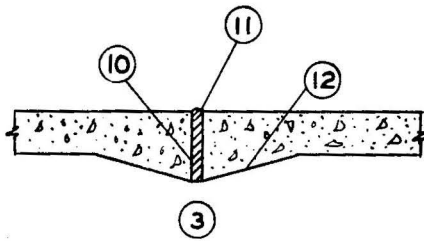
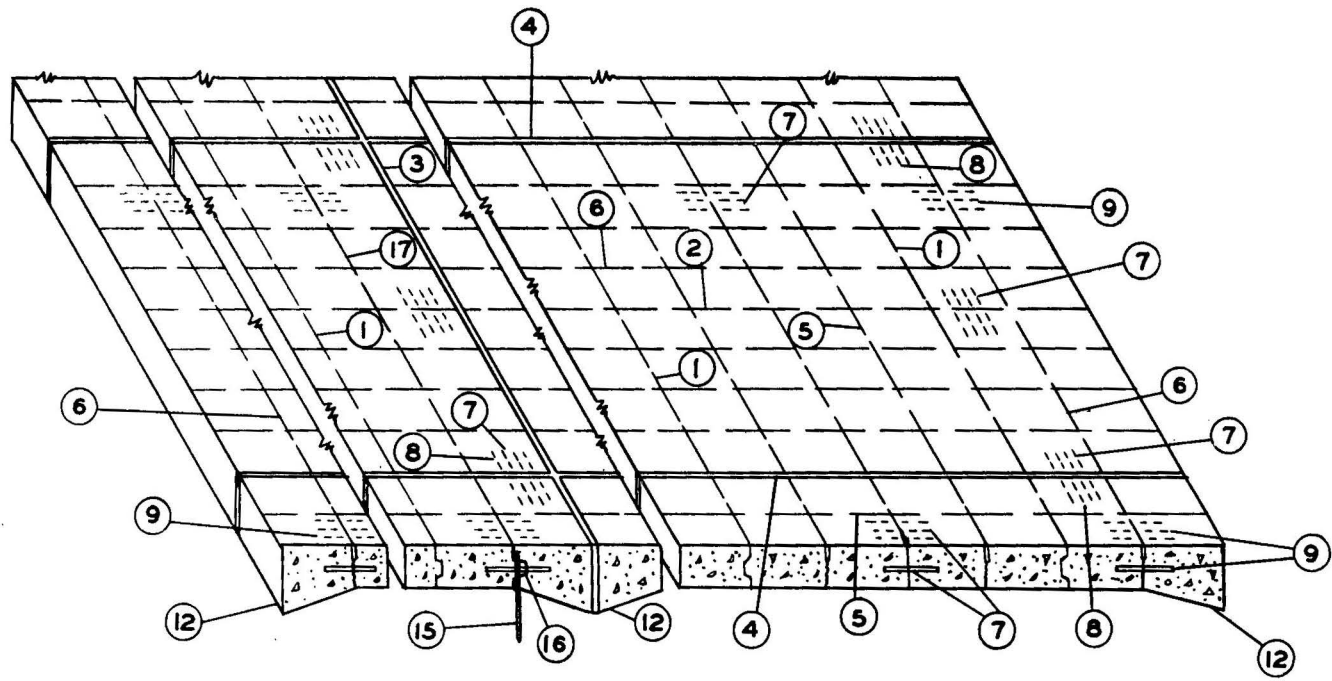


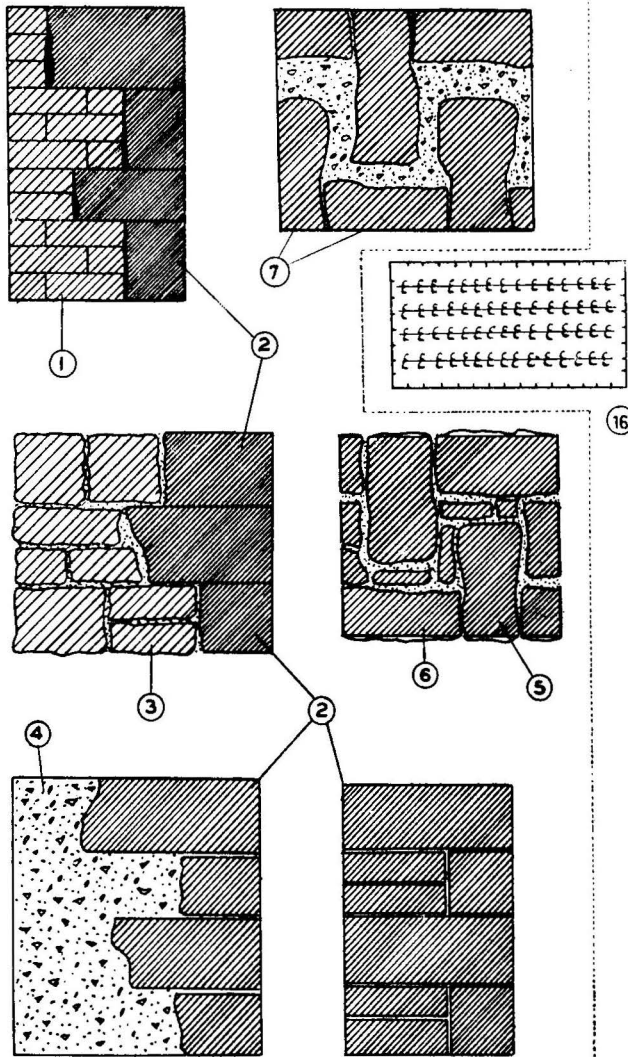




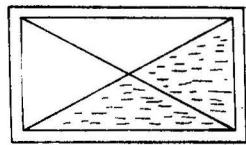




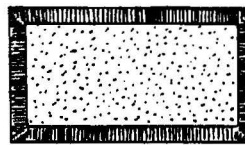




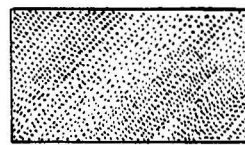
A



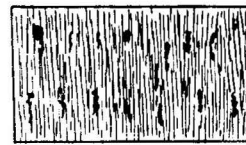
1



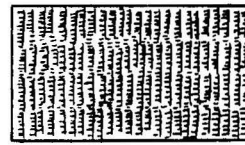
2



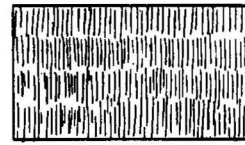
3



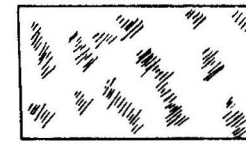
4



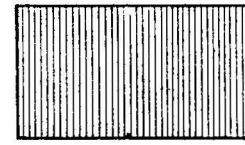
5



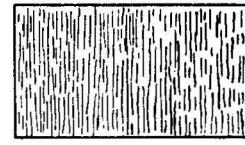
6



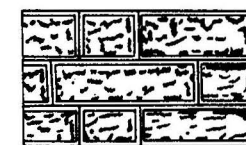
7



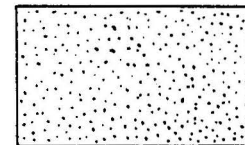
8



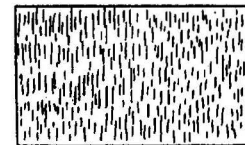
9



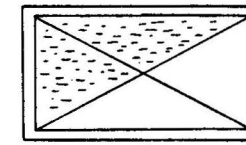
10



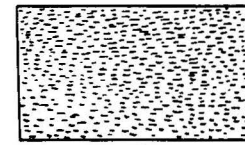
11



12



13

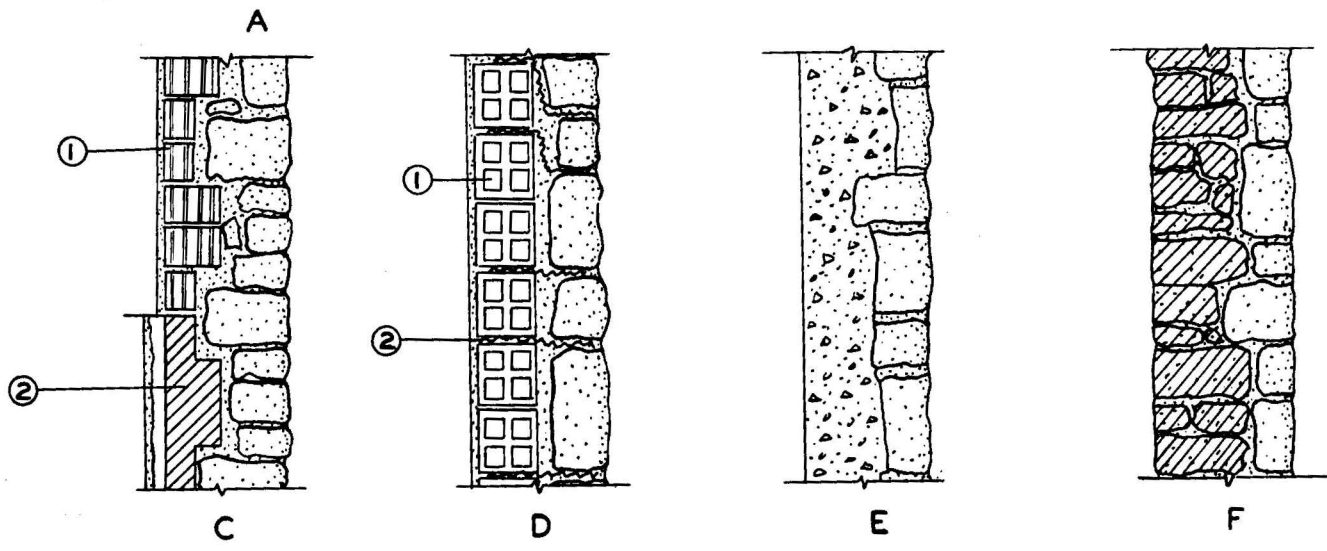
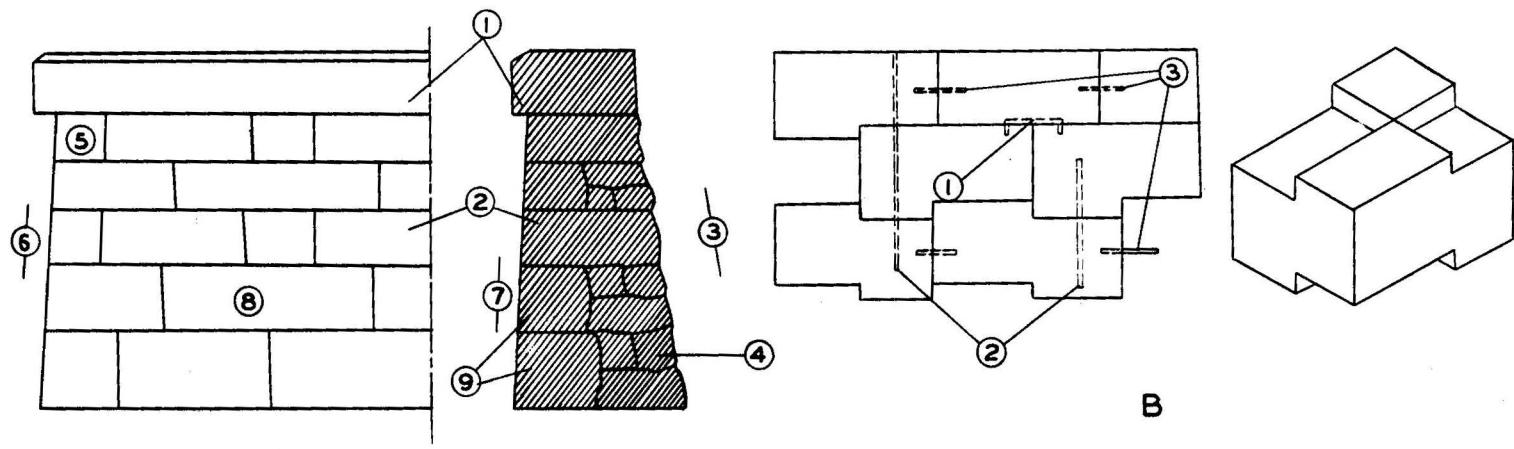


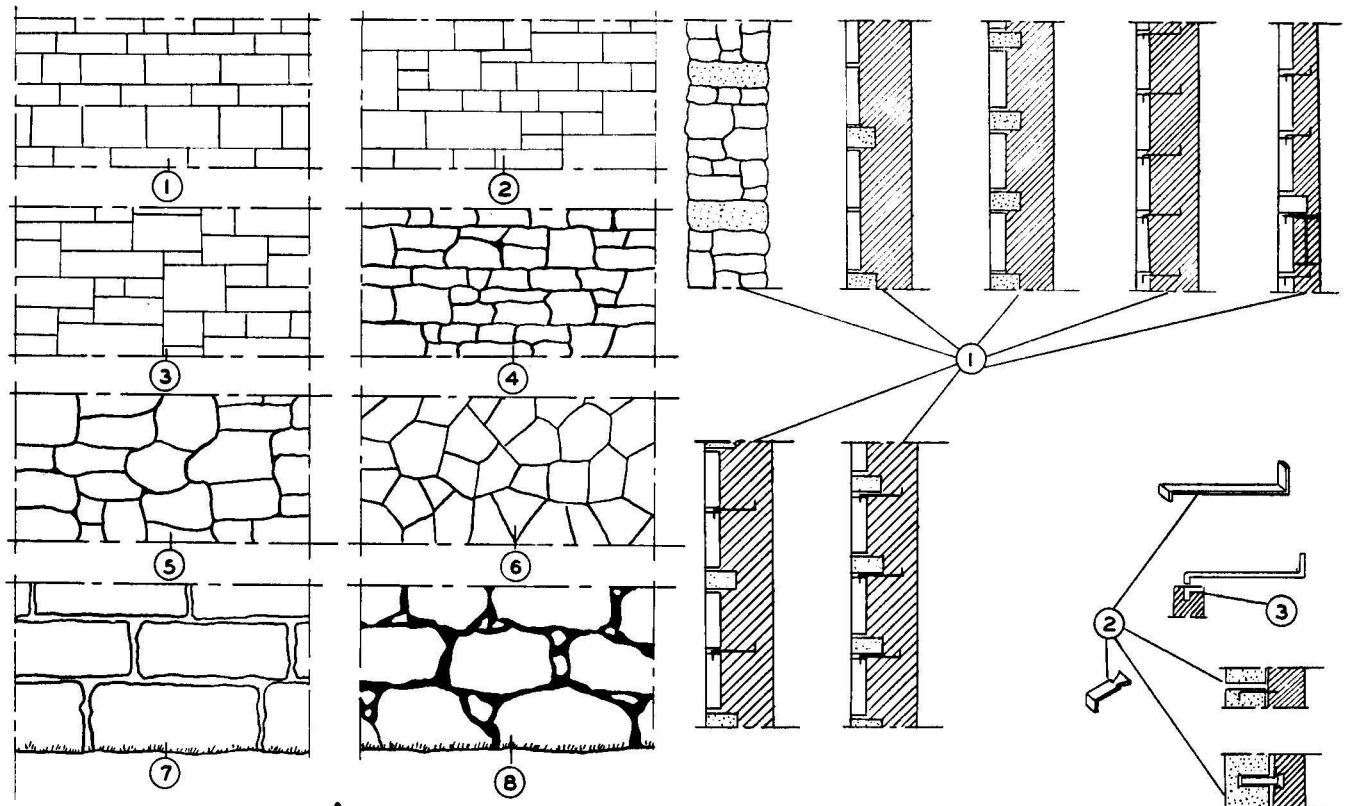
14



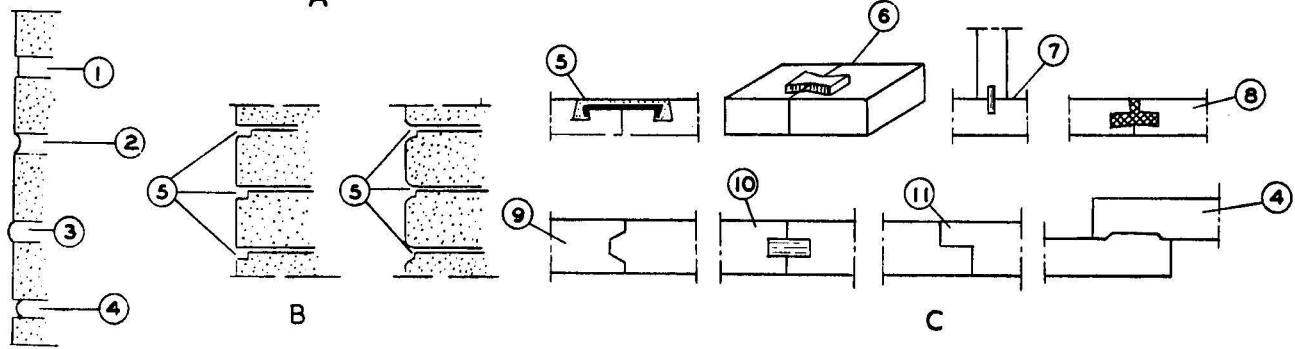
15

B



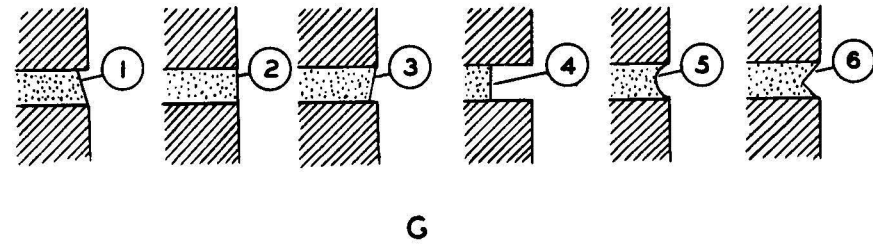
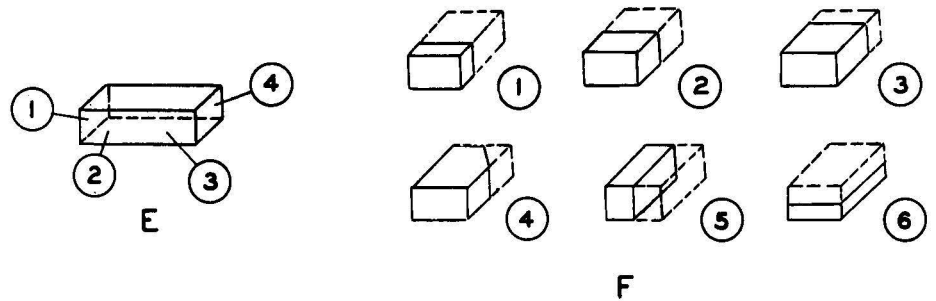
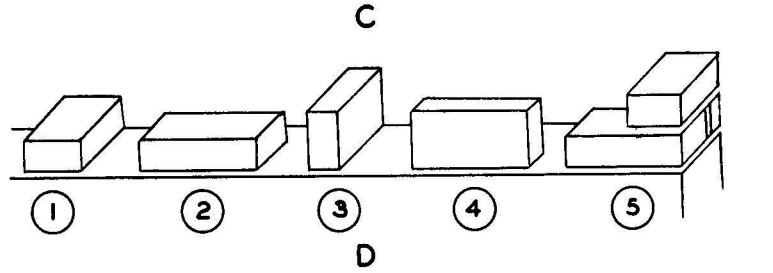
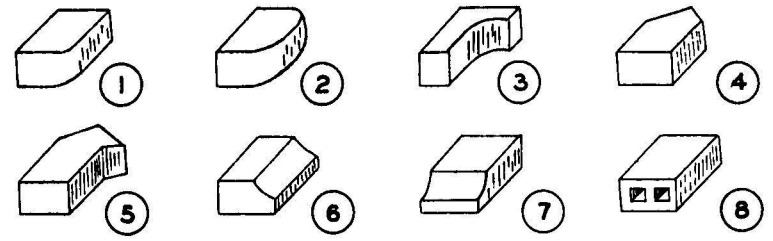
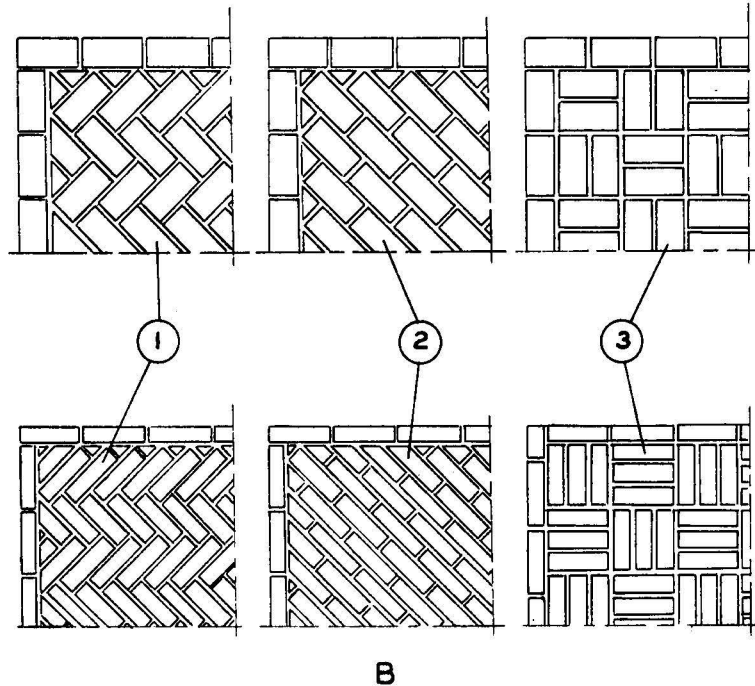
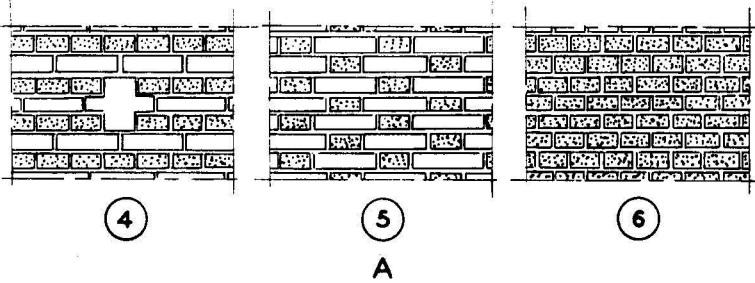
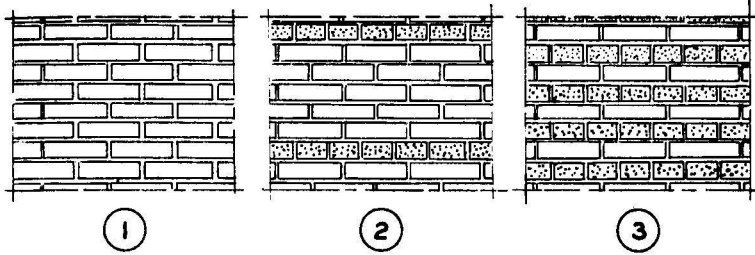


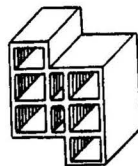
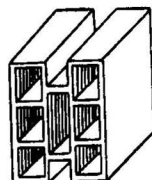
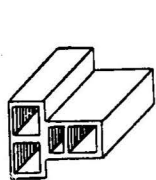
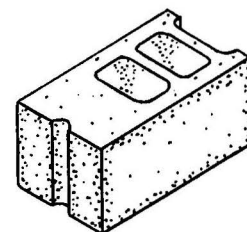
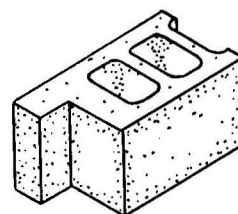
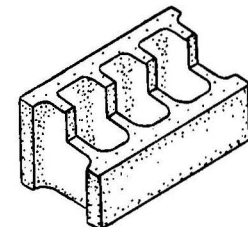
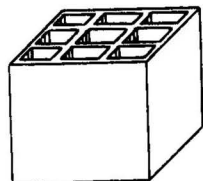
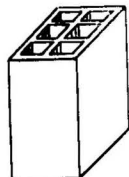
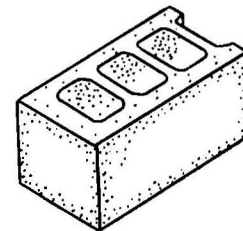
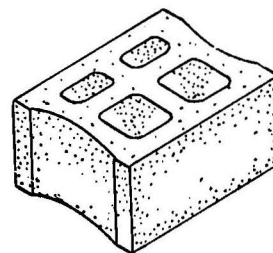
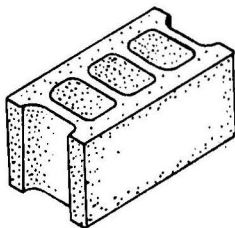
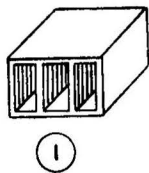
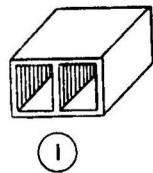
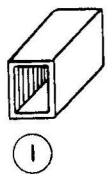
A



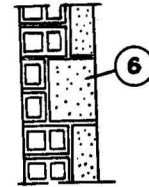
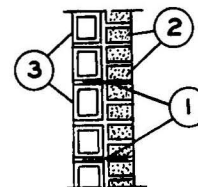
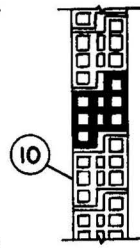
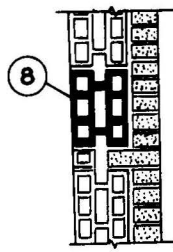
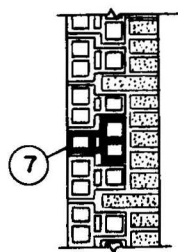
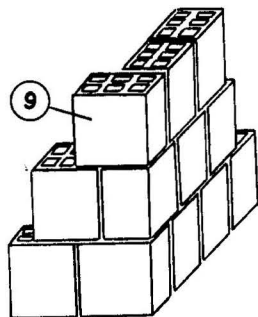
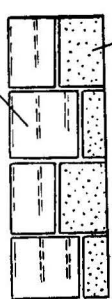
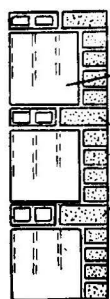
B

C

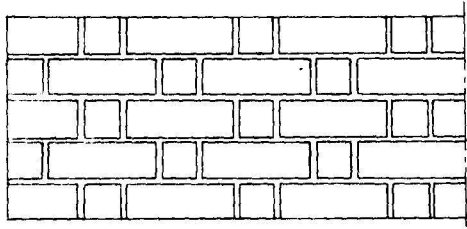




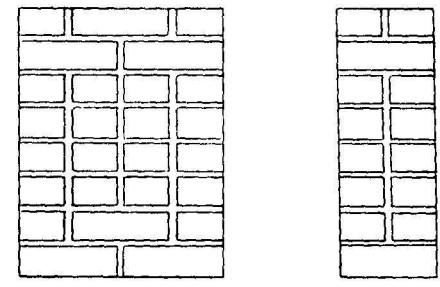
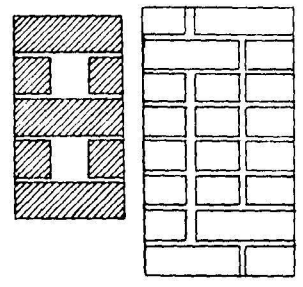
A



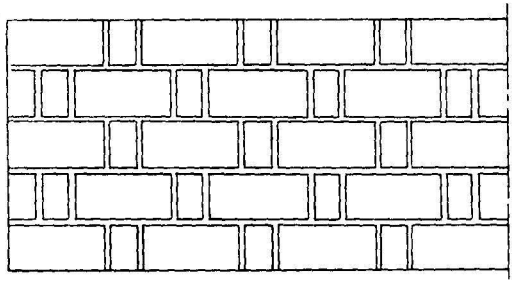
C



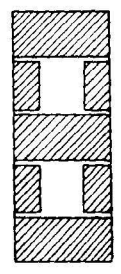
①



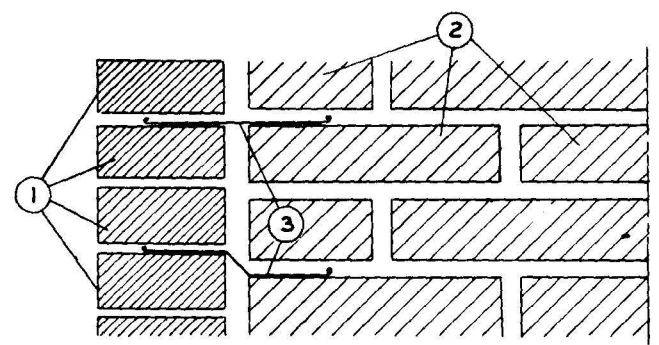
B



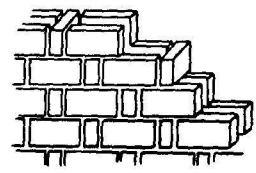
②



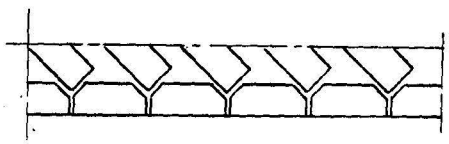
A



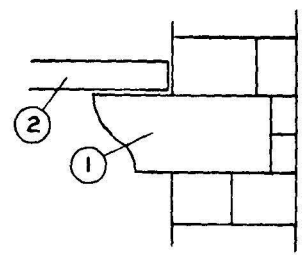
C



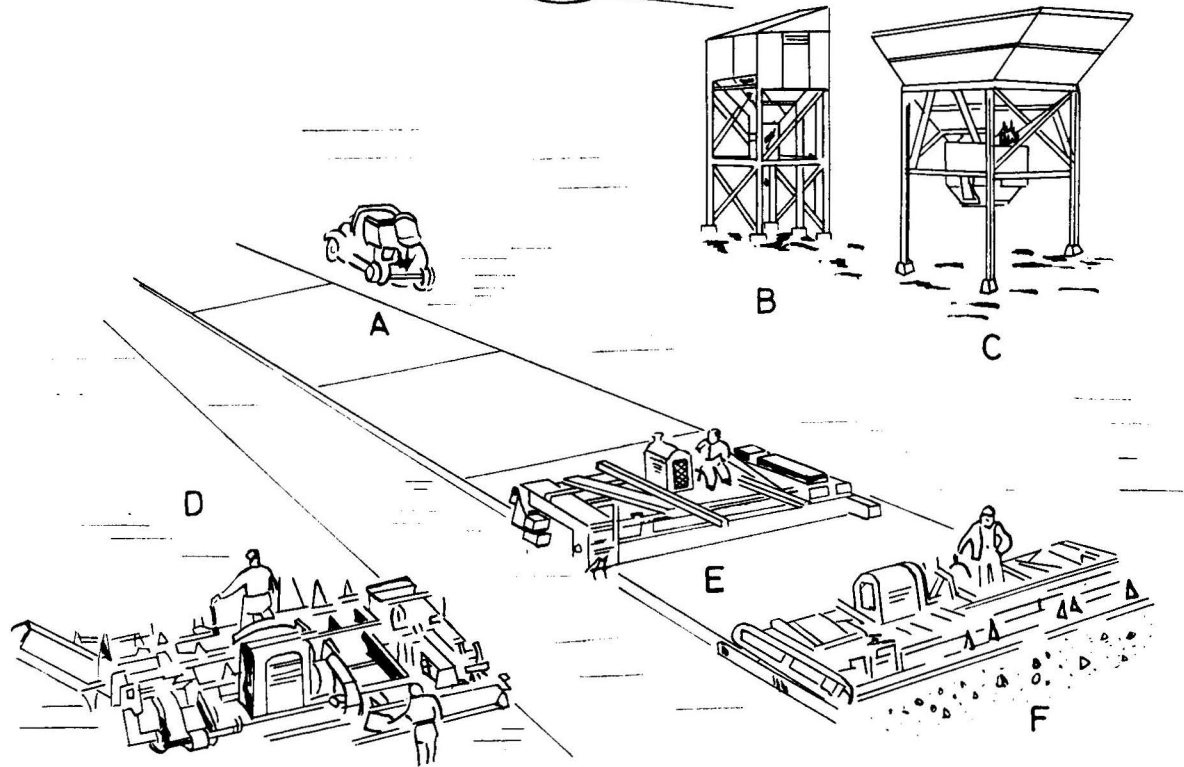
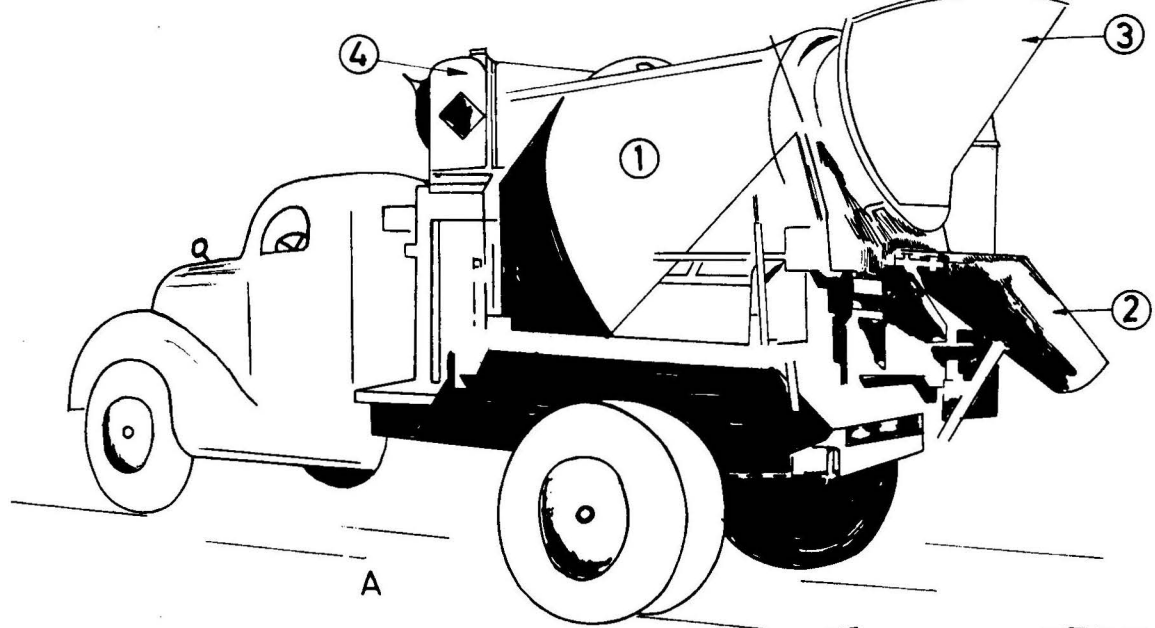
D

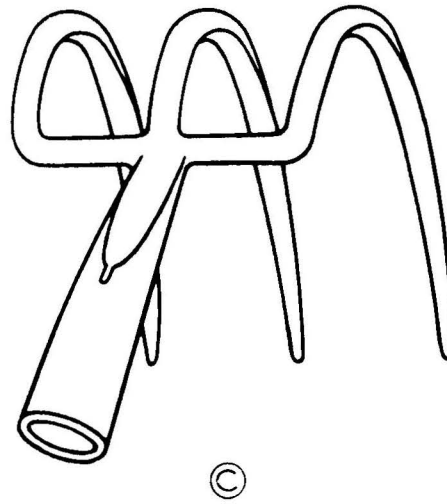
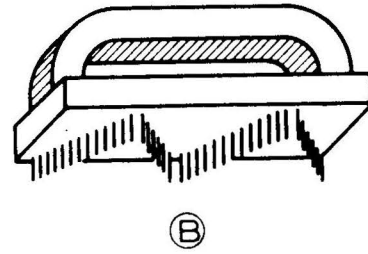
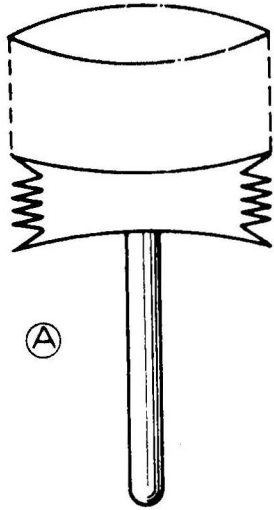


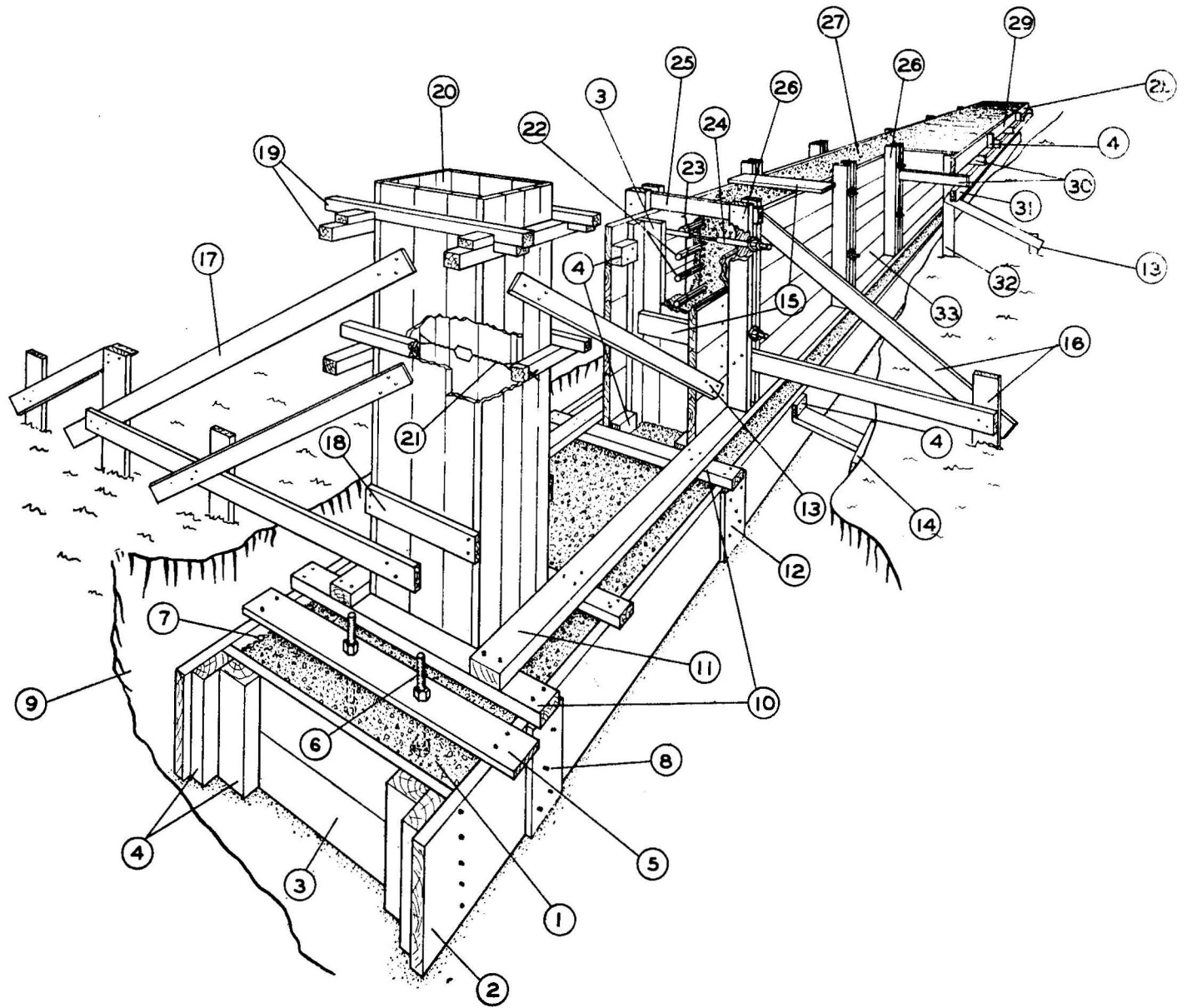
E

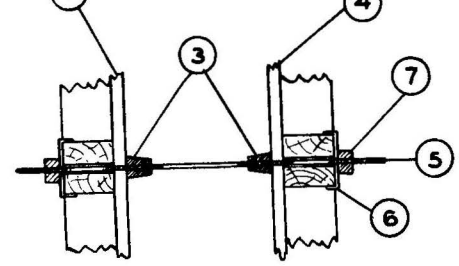
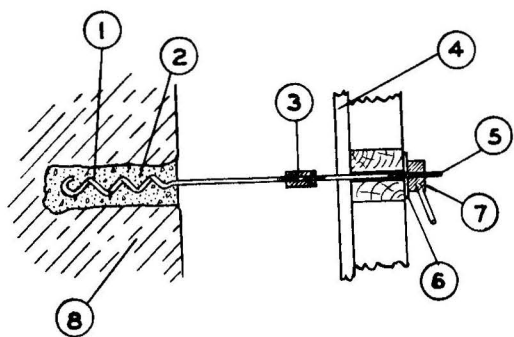
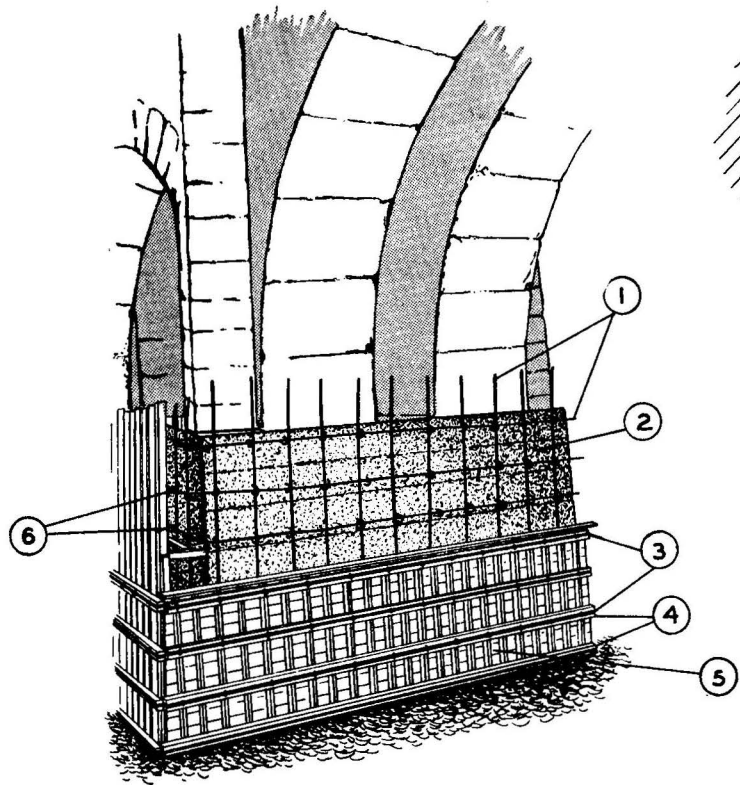


F

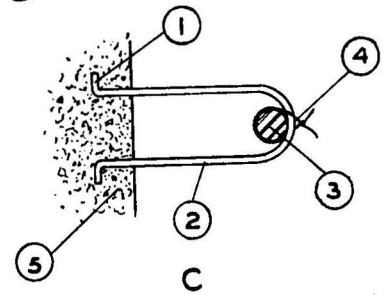




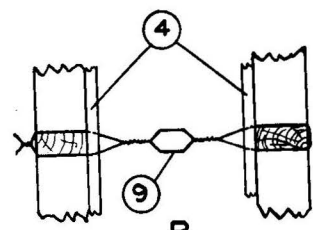




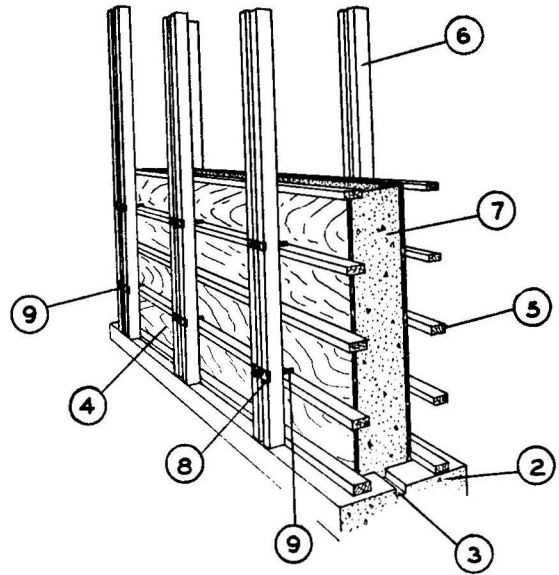
B



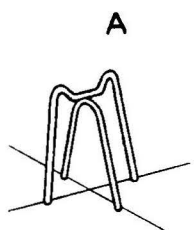
C



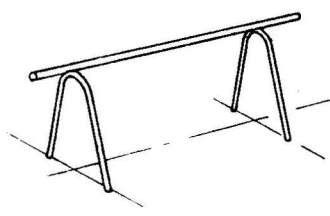
B



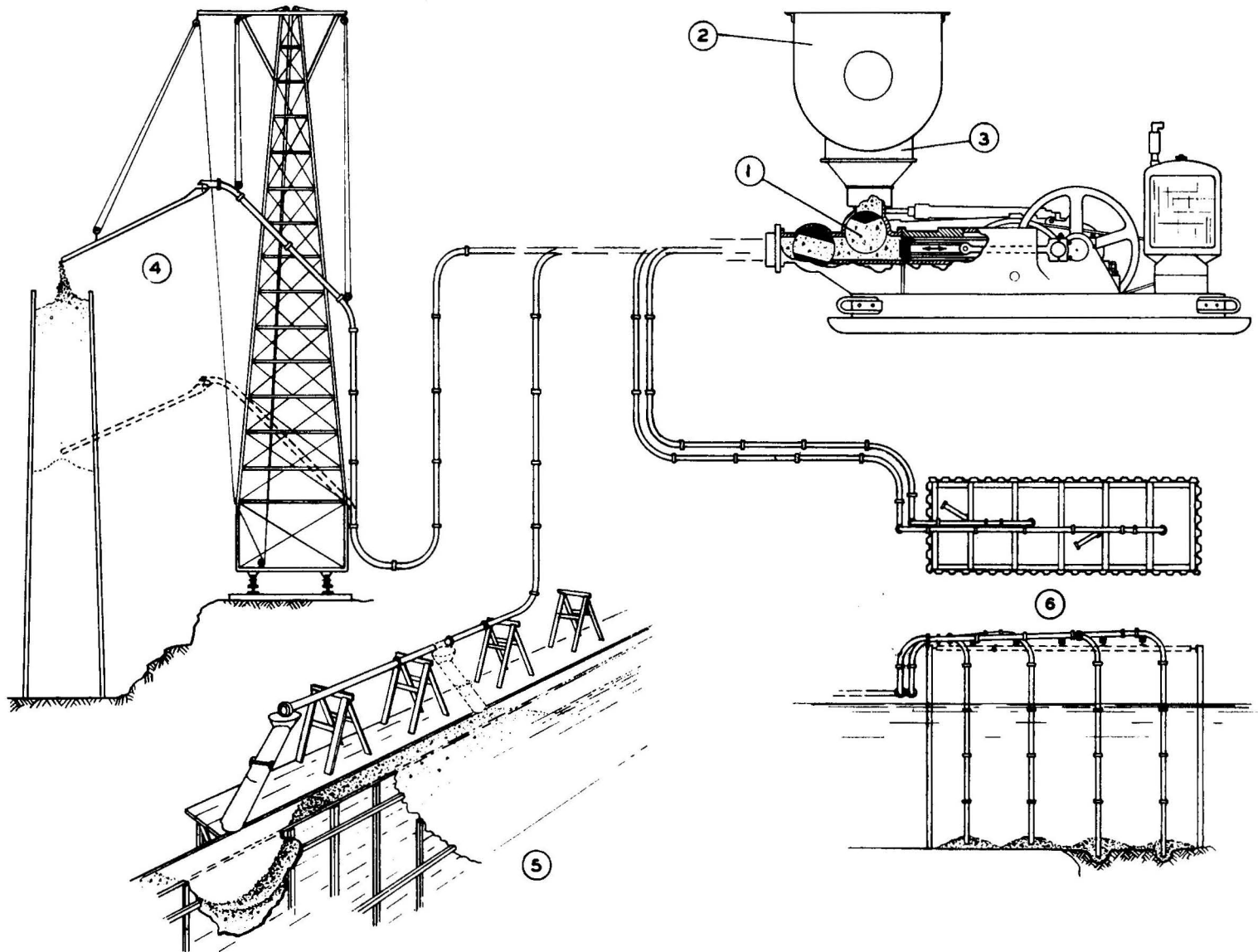
F

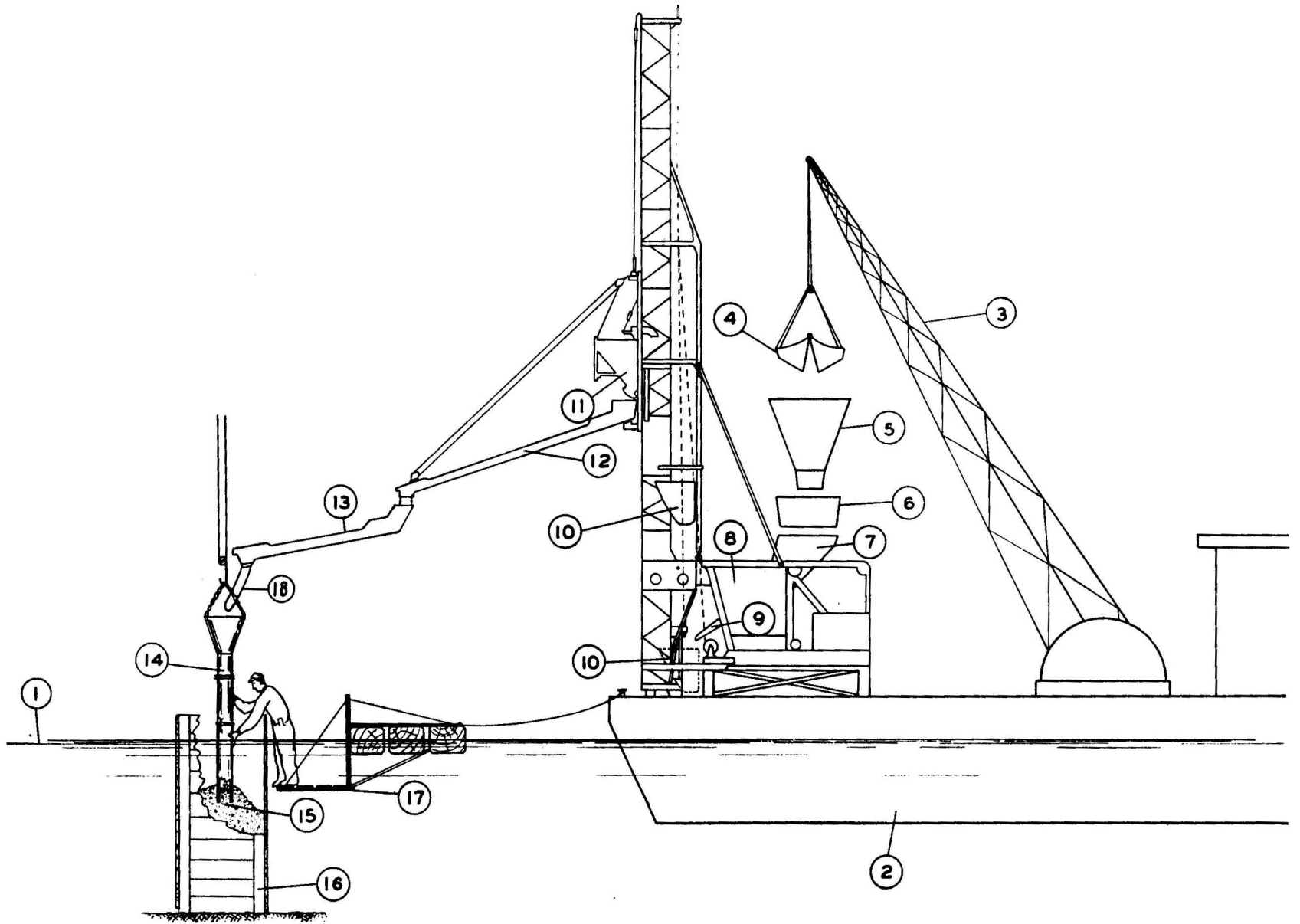


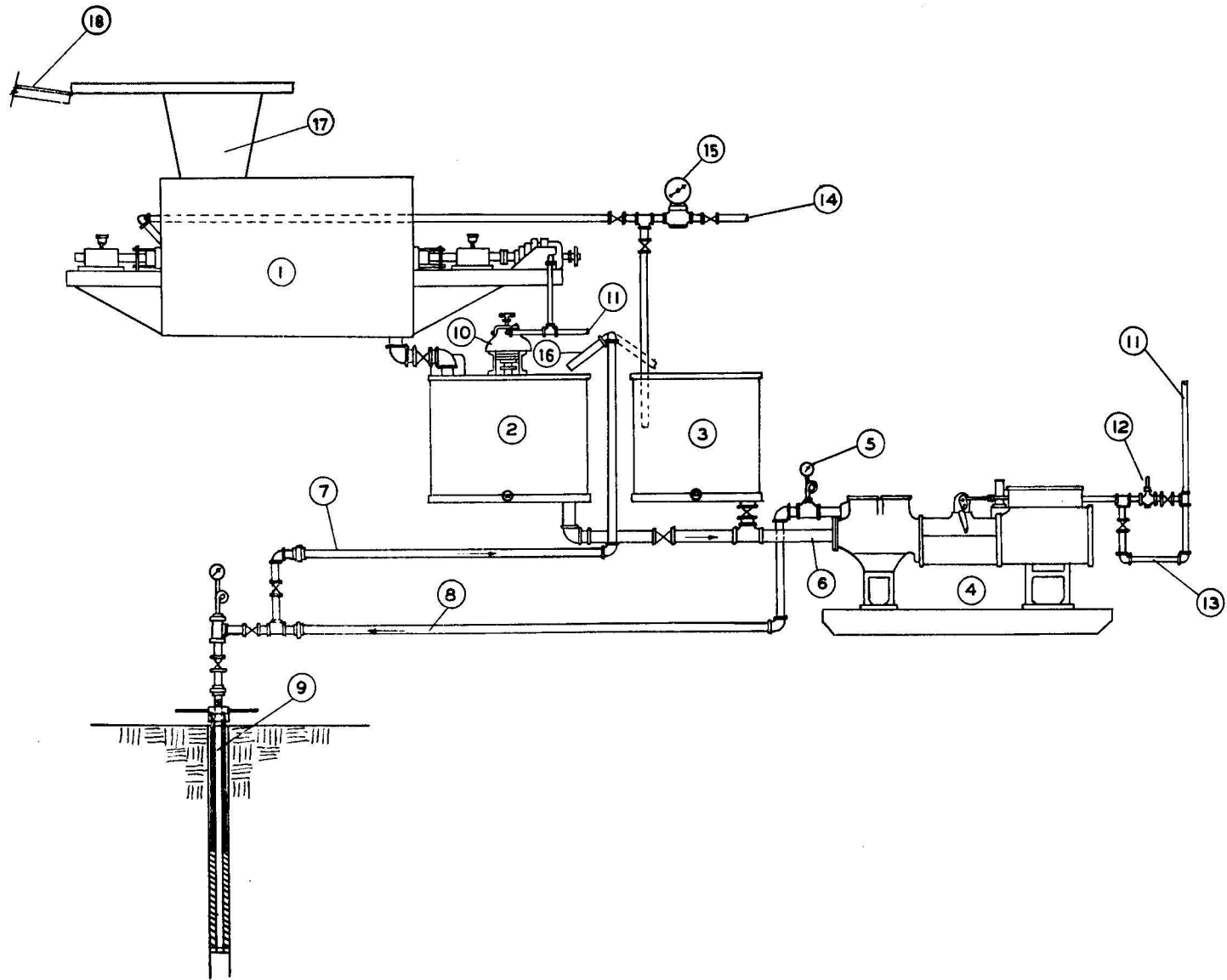
D

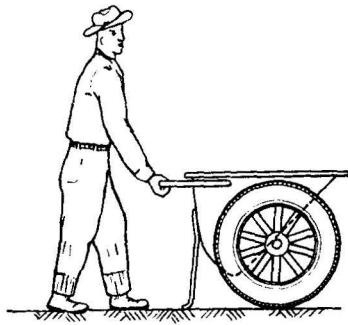


E

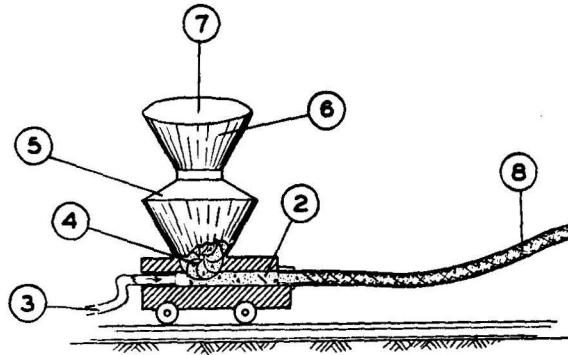






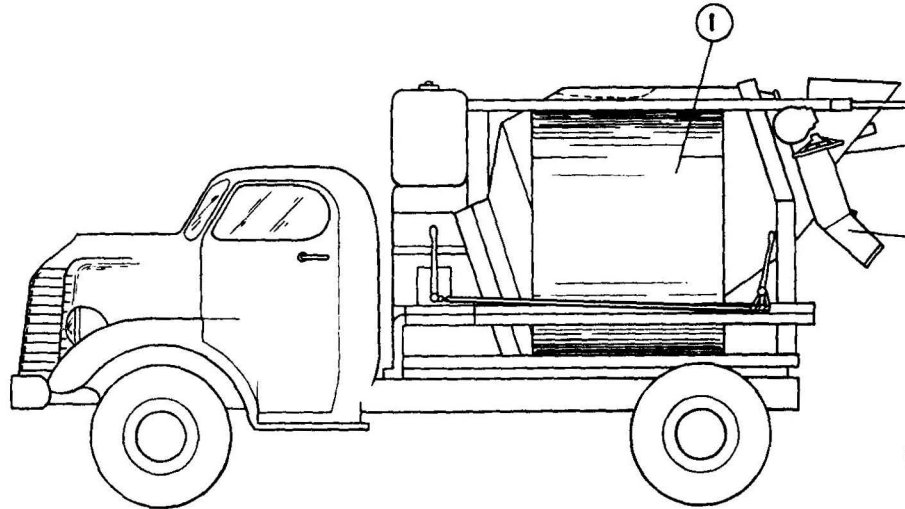
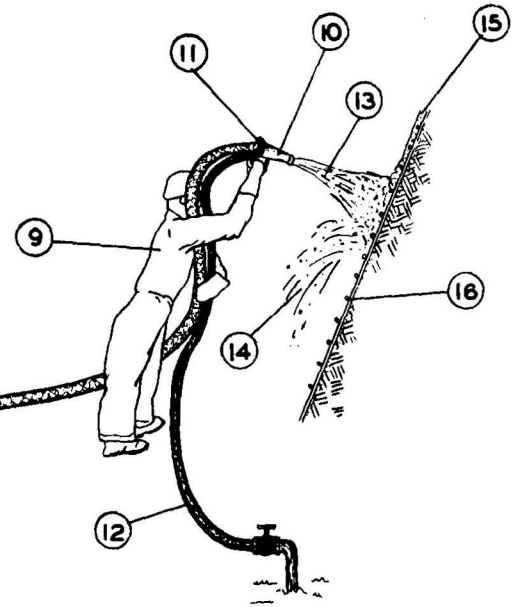


A

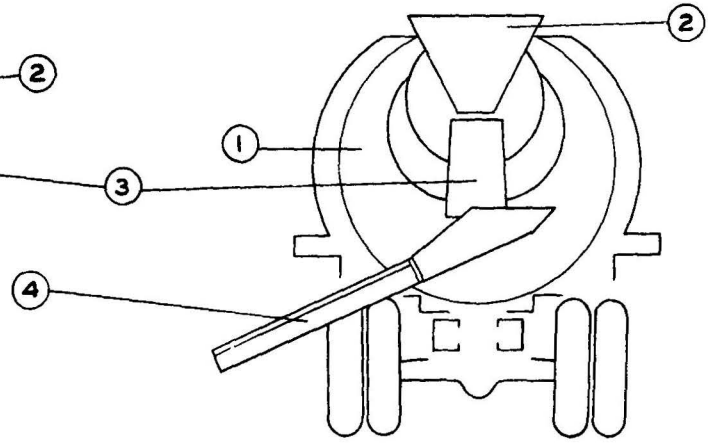


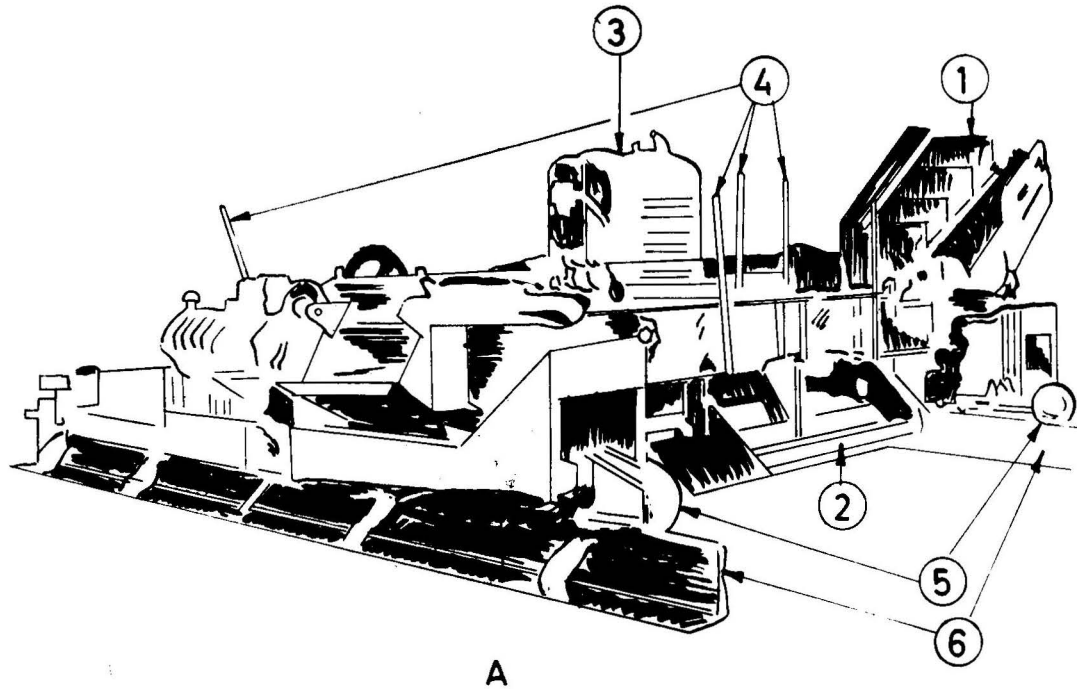
1

B

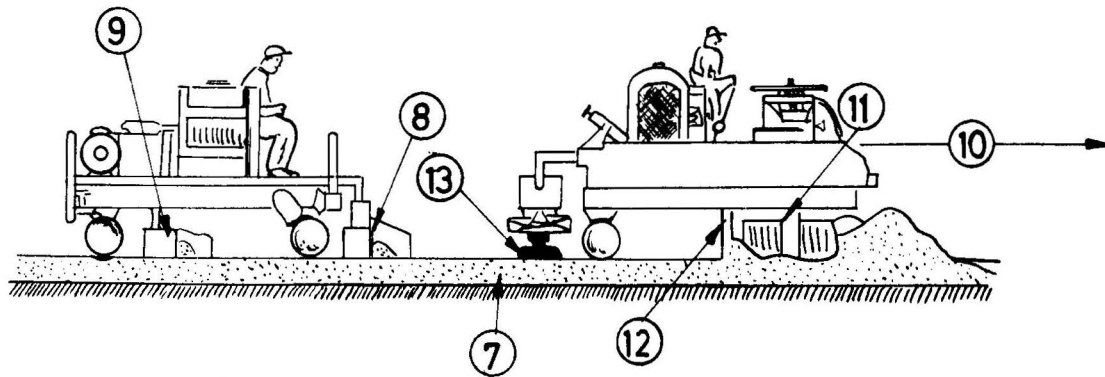


C



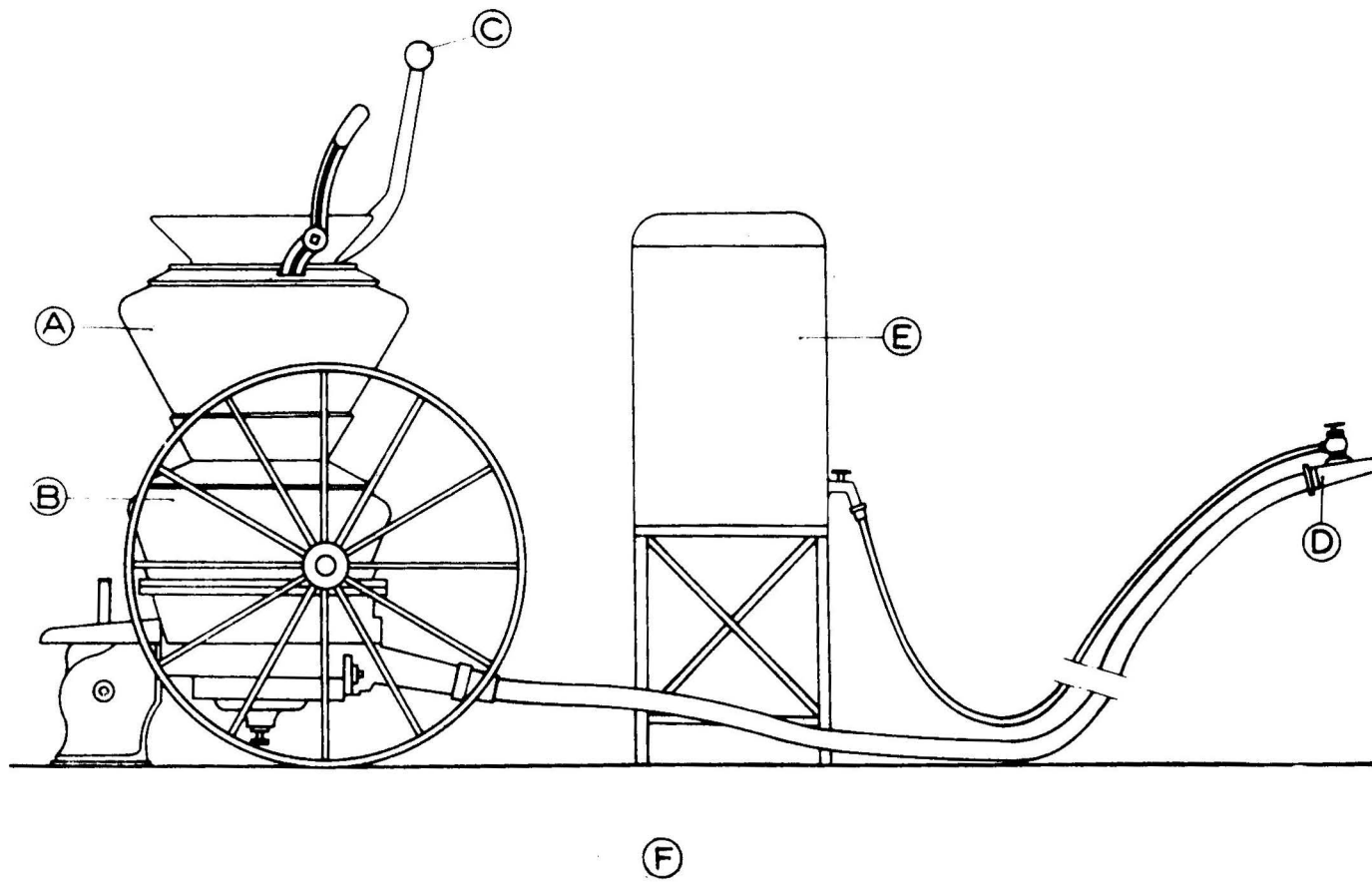


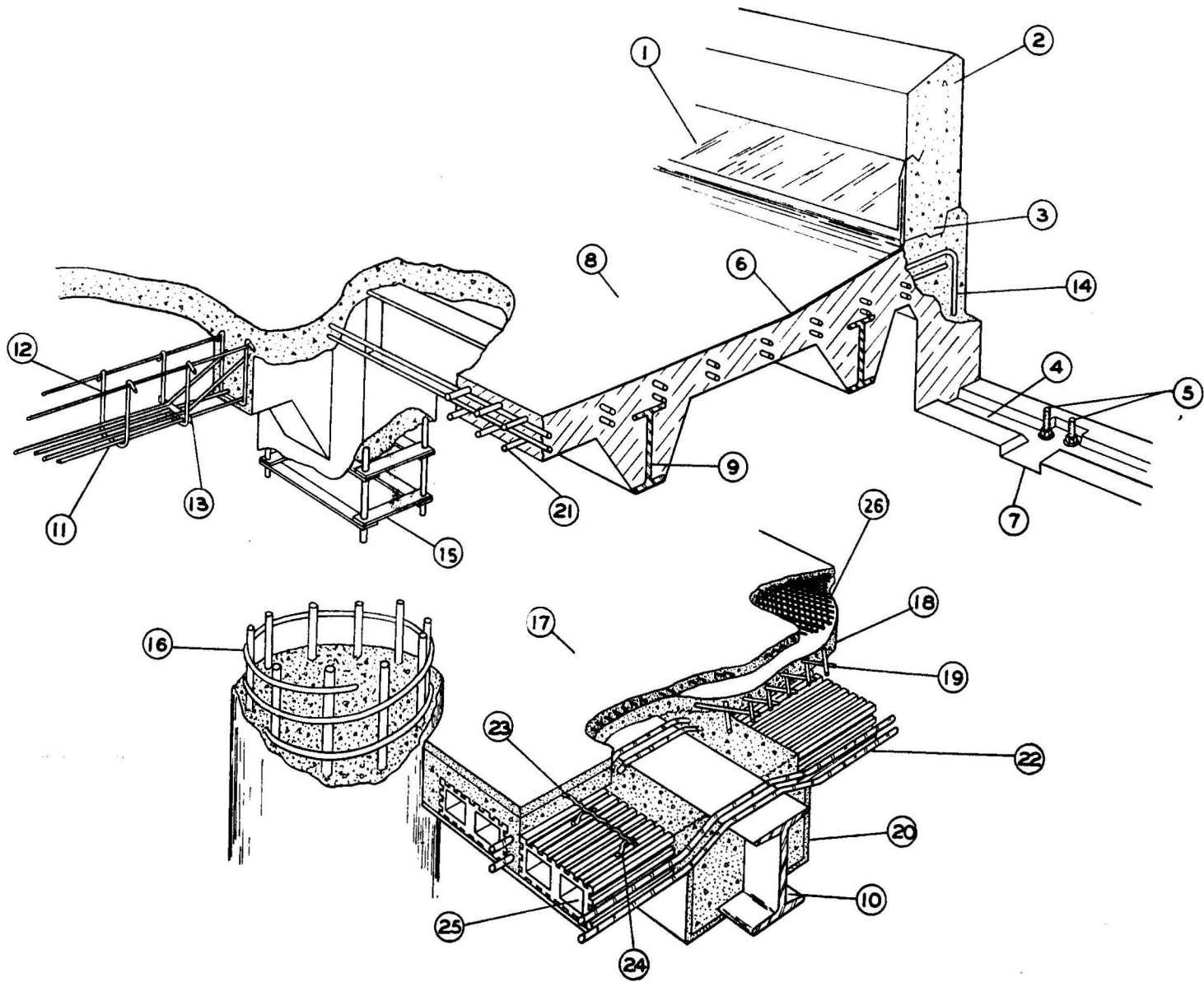
A

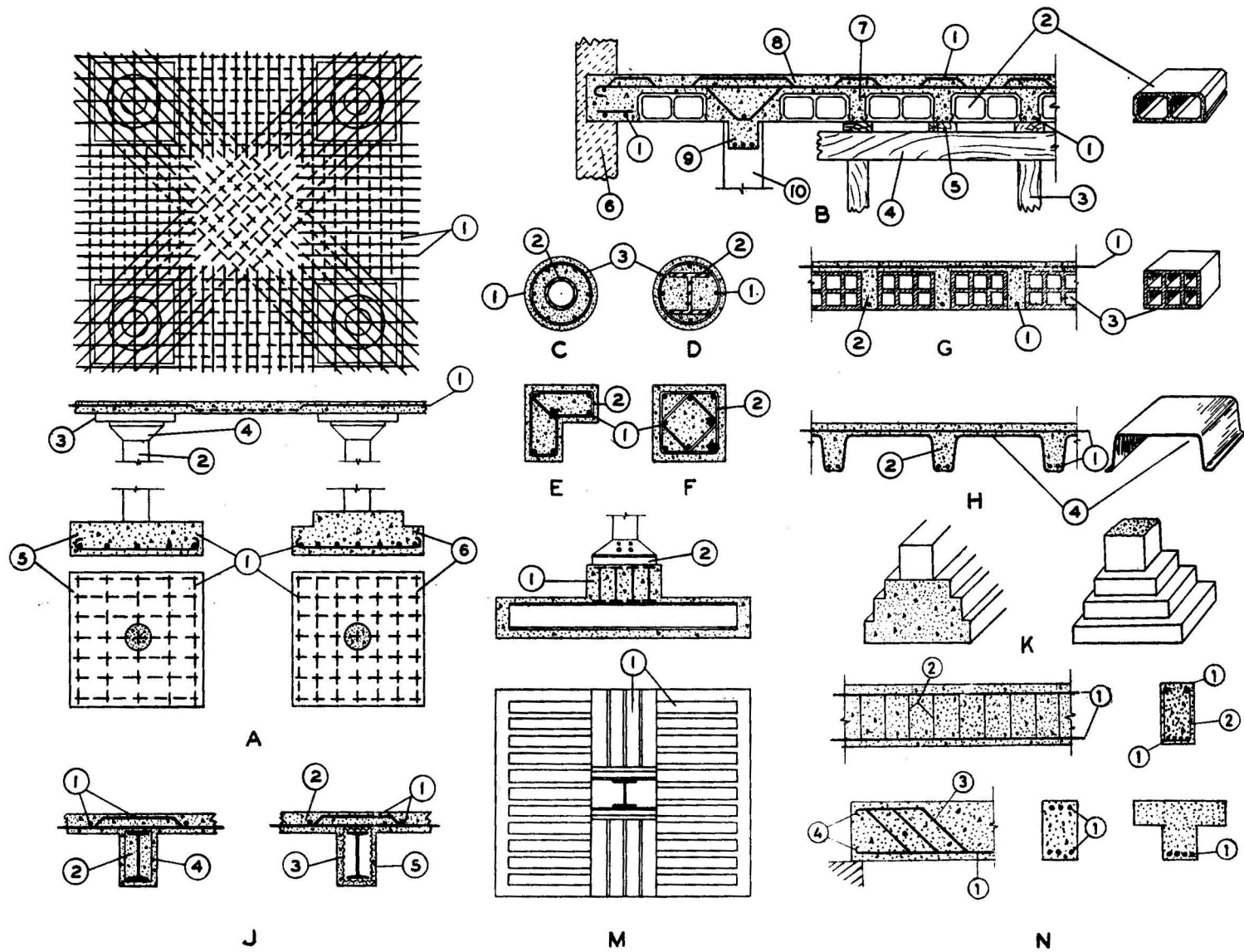


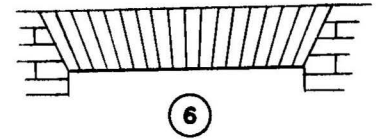
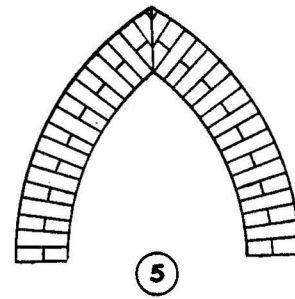
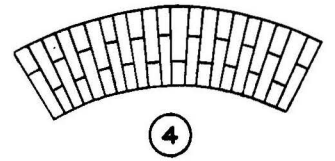
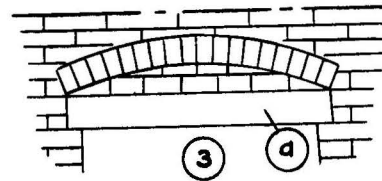
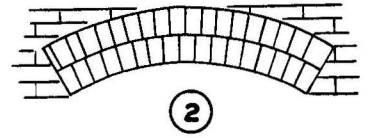
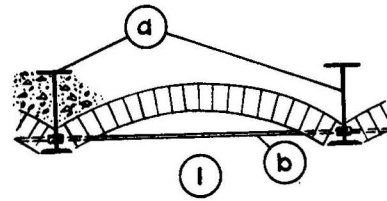
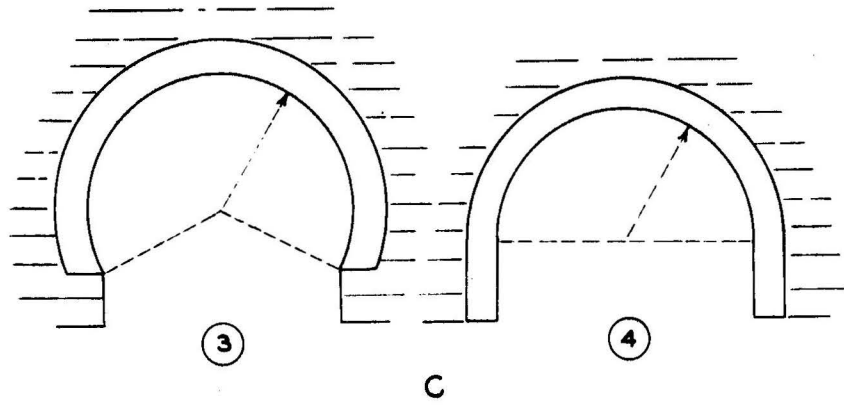
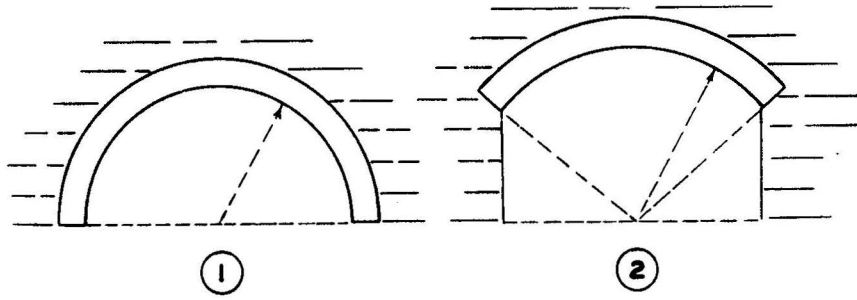
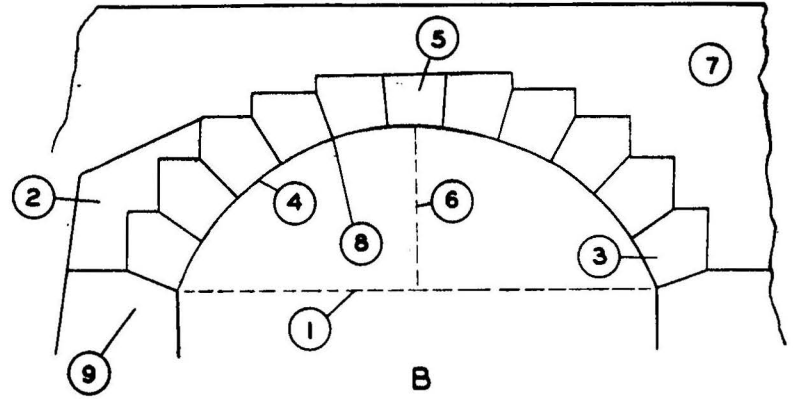
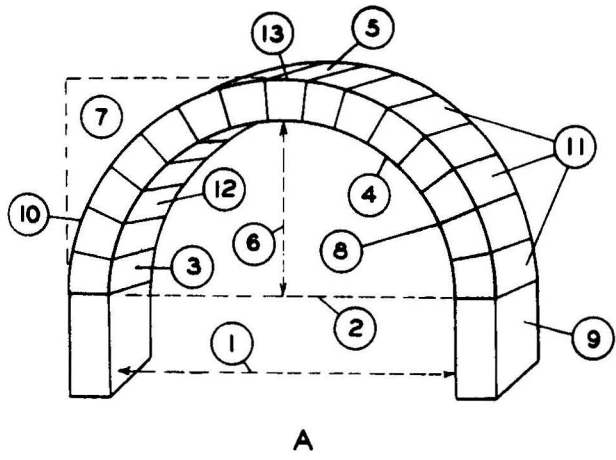
B

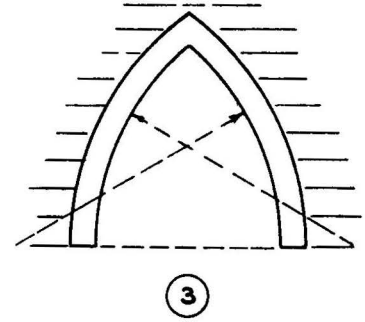
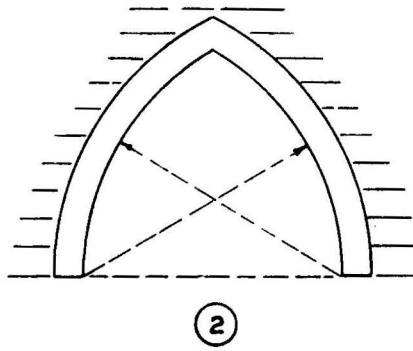
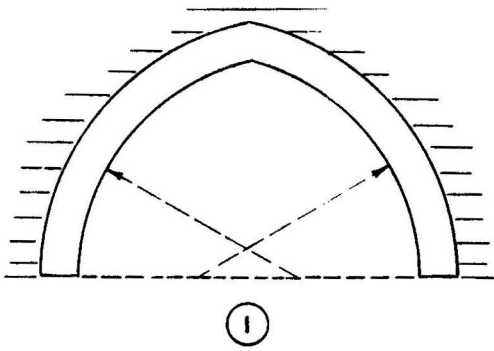
C



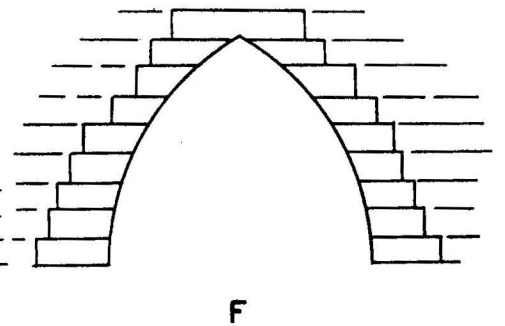
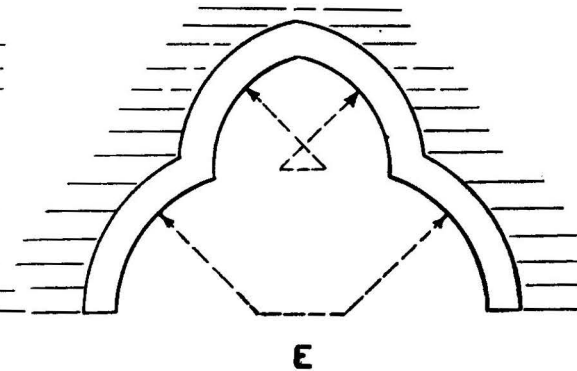
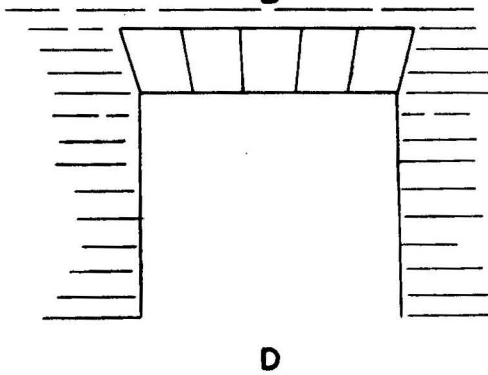
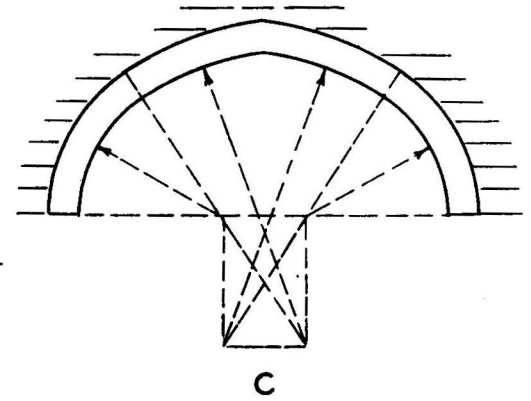
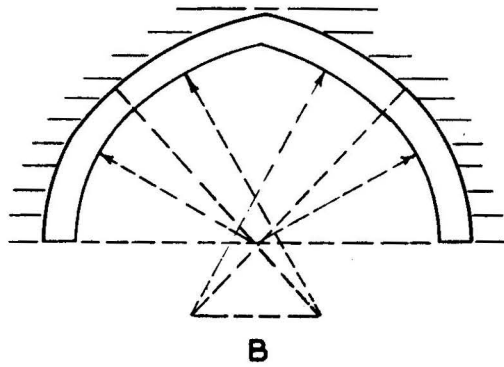
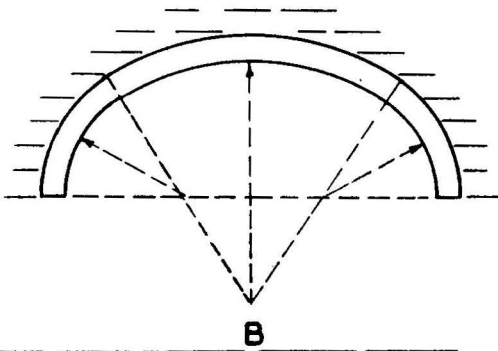


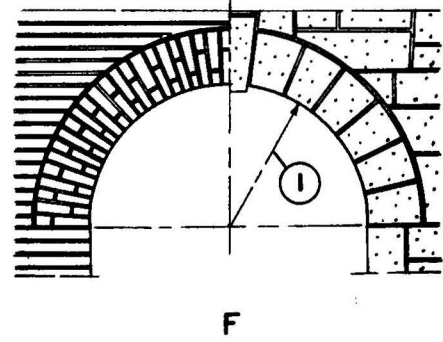
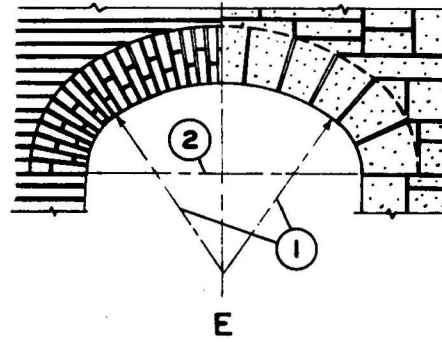
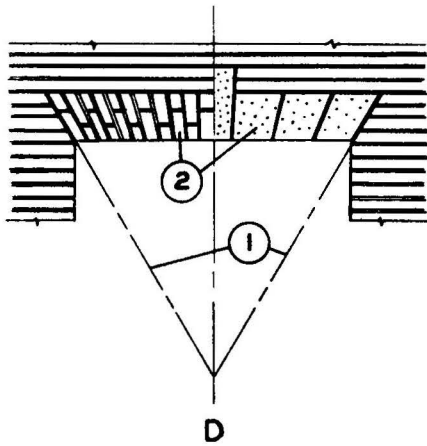
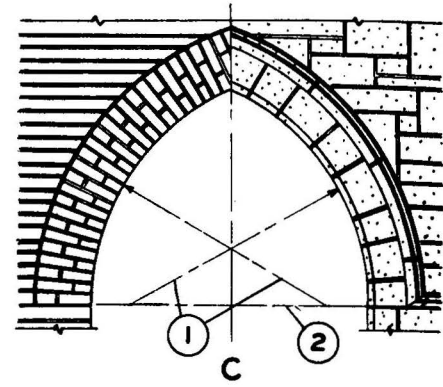
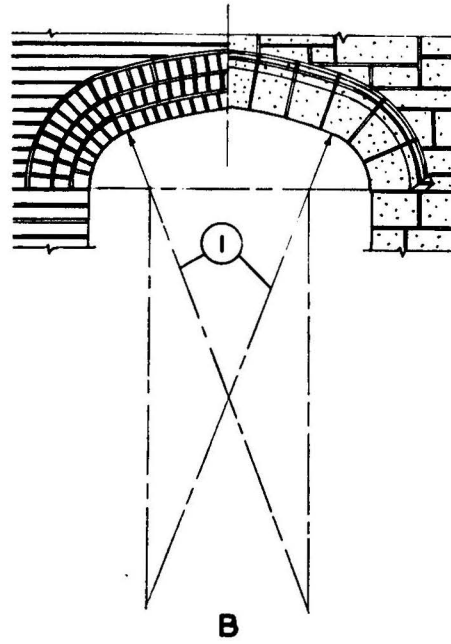
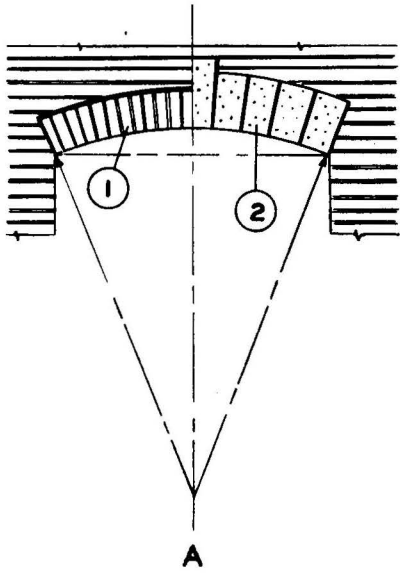


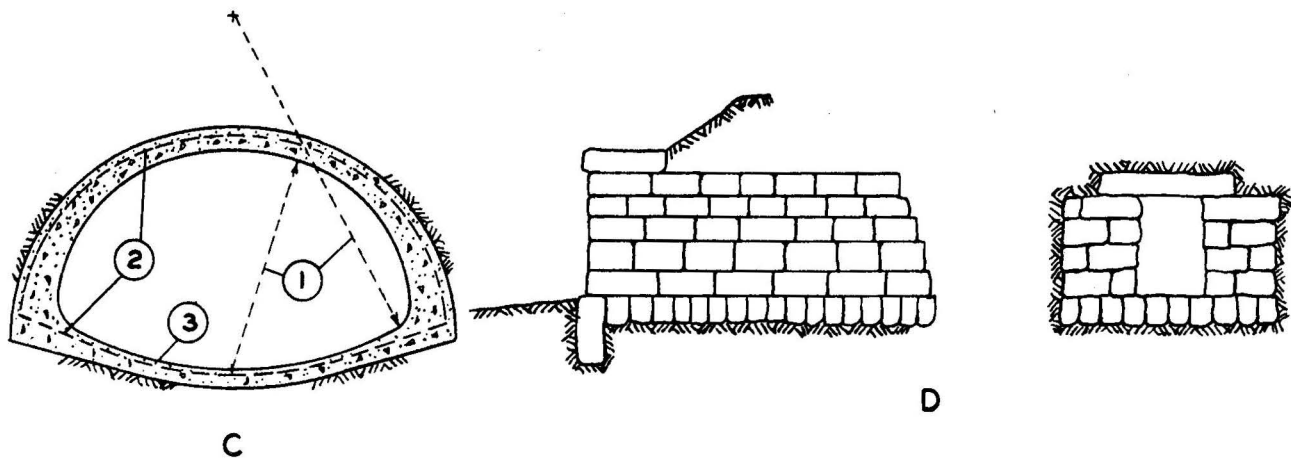
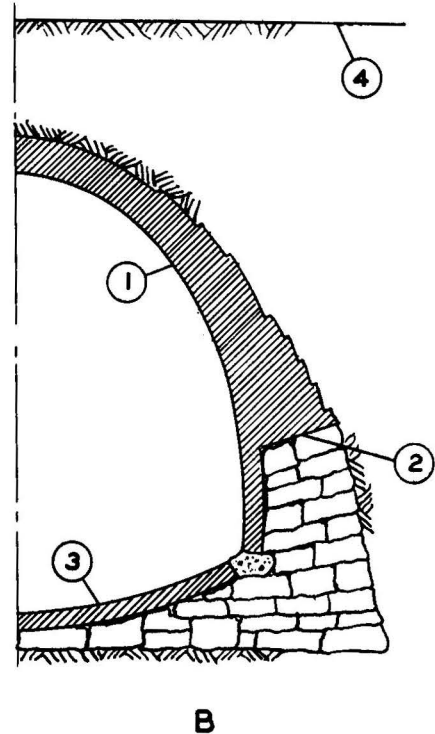
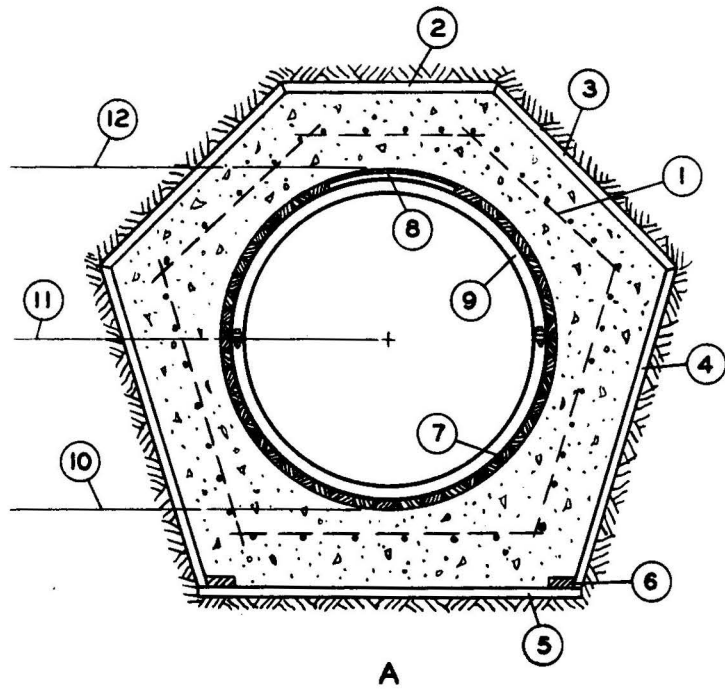


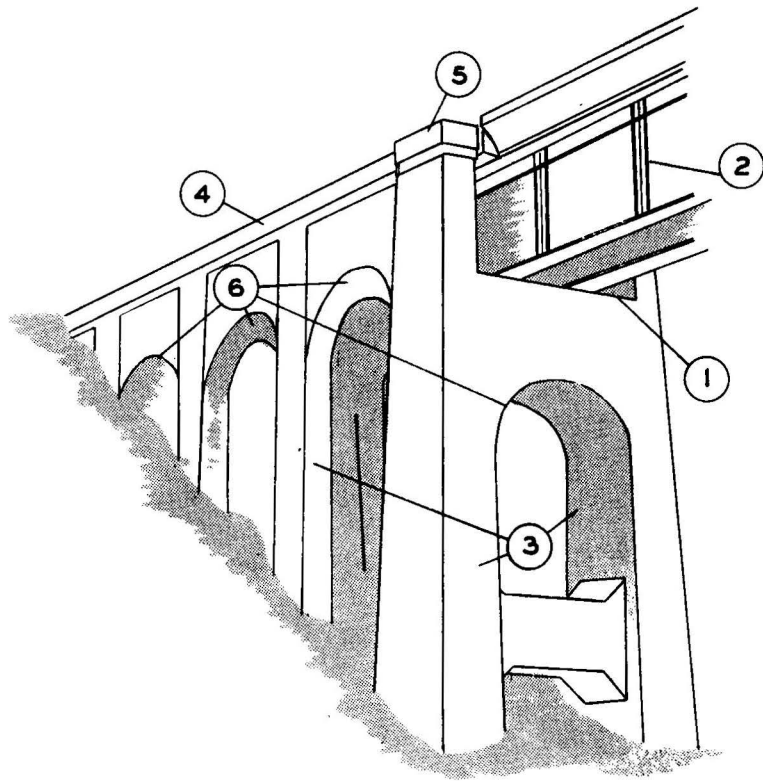


A

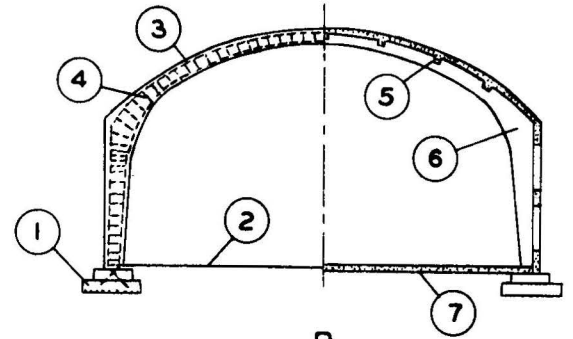




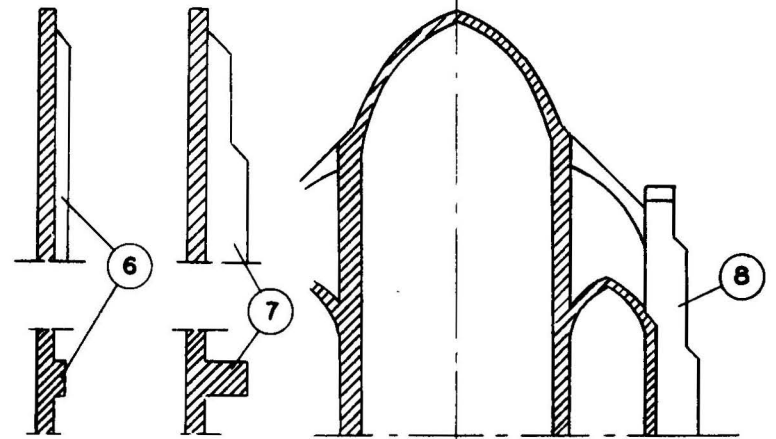
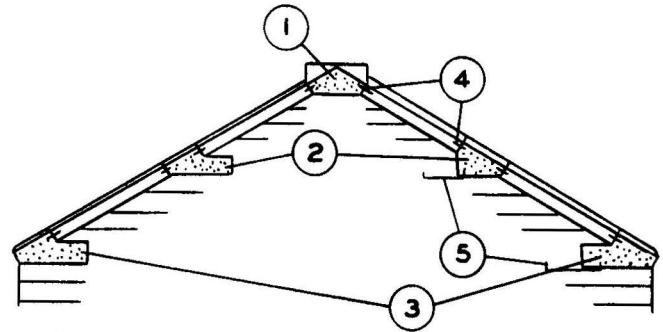




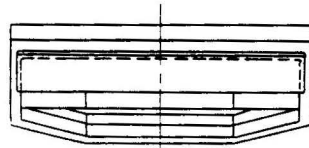
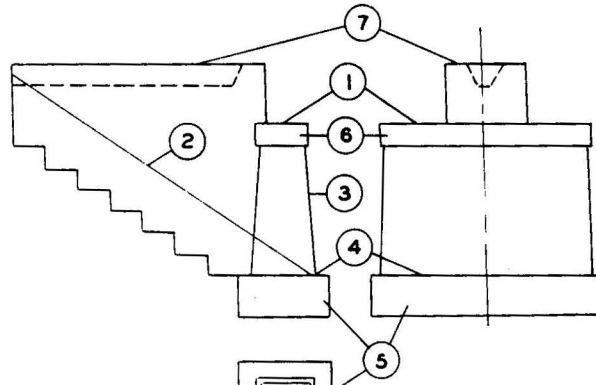
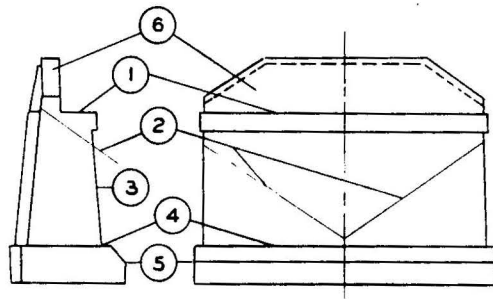
A



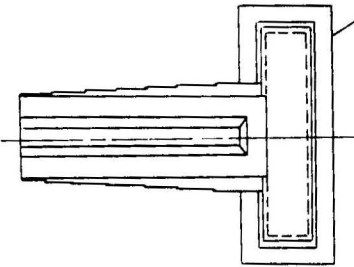
B



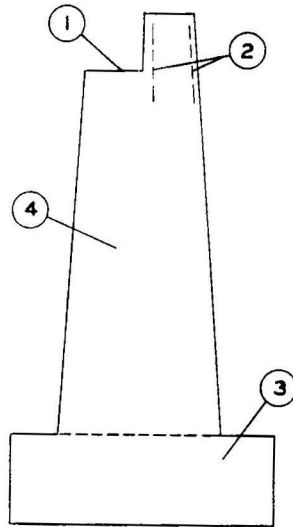
C



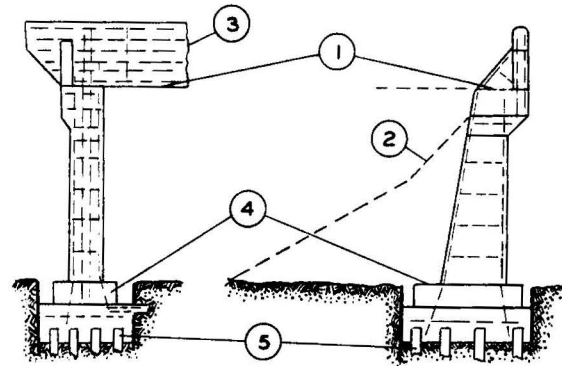
A



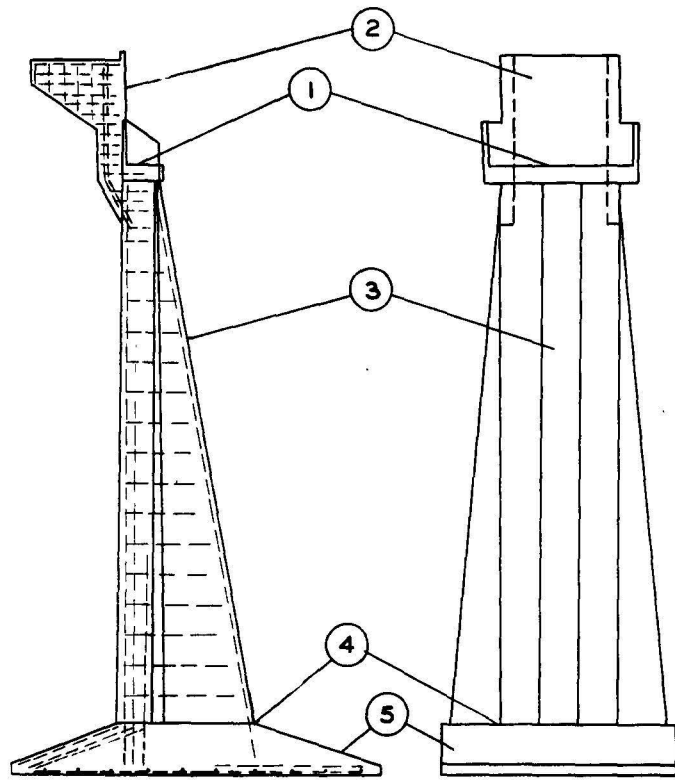
B



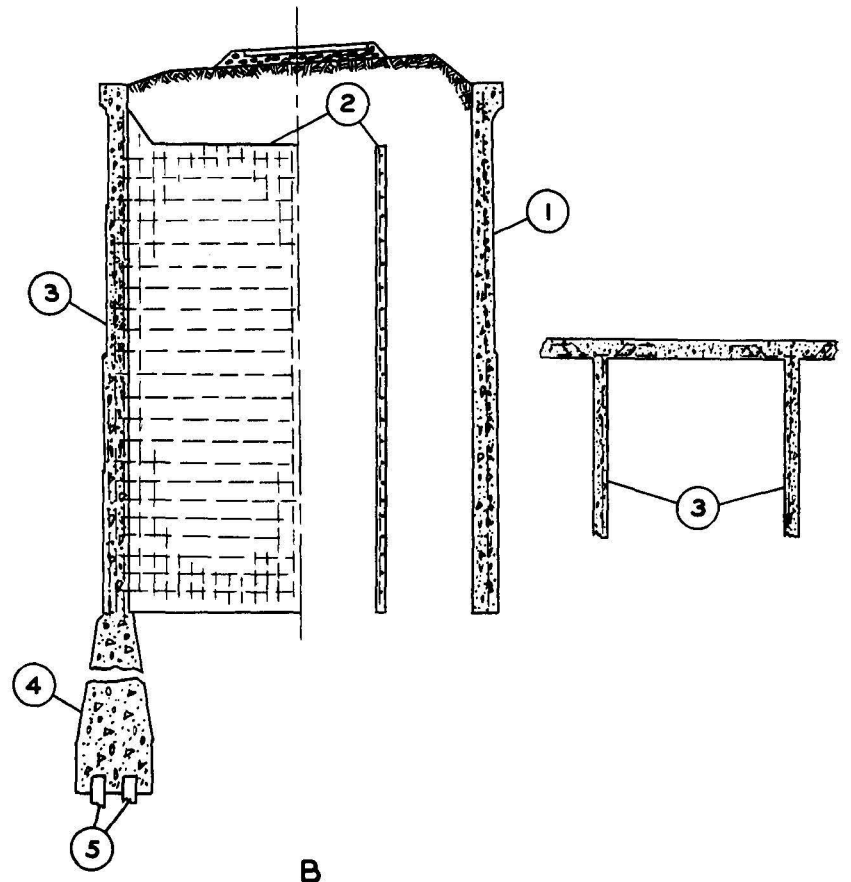
C



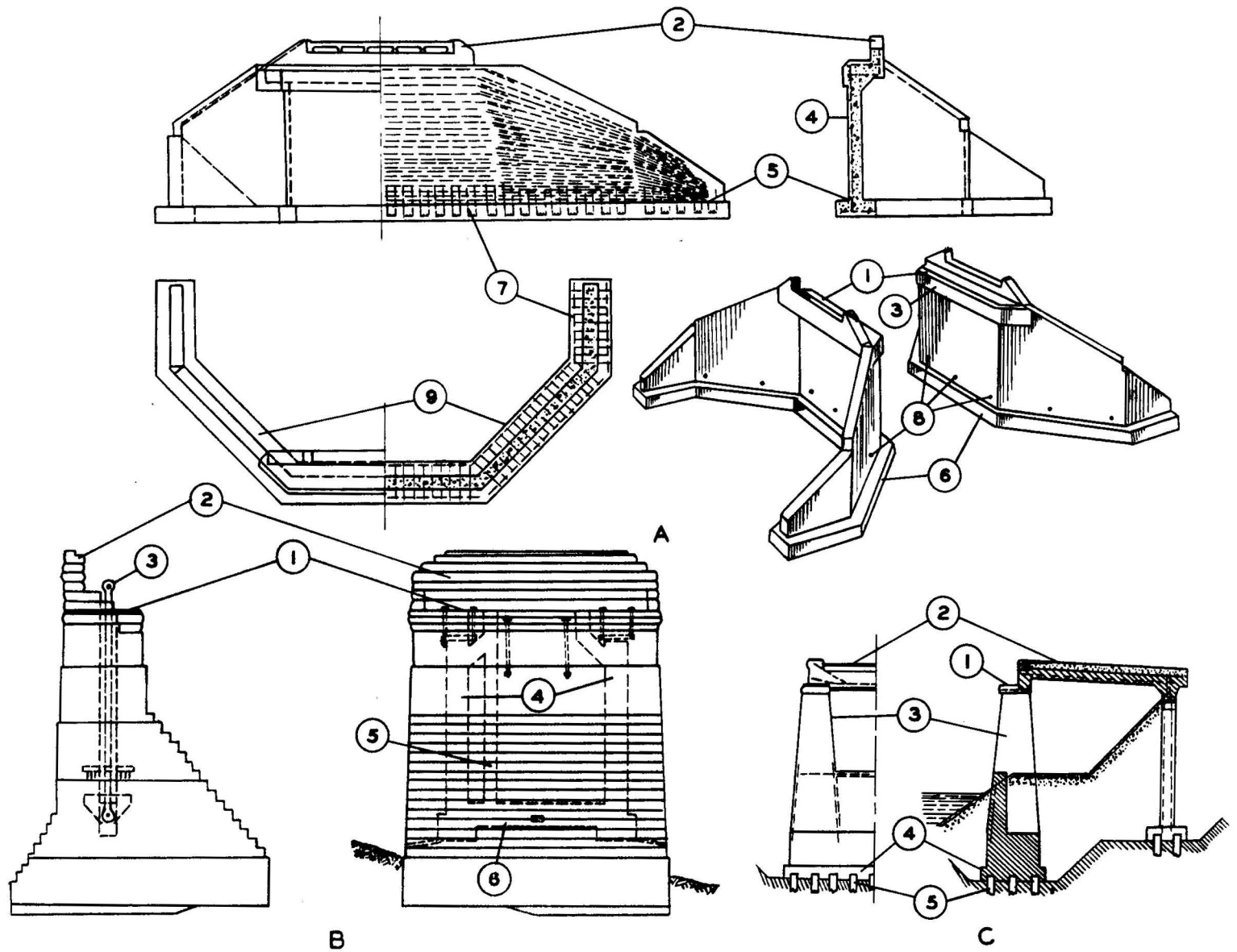
D

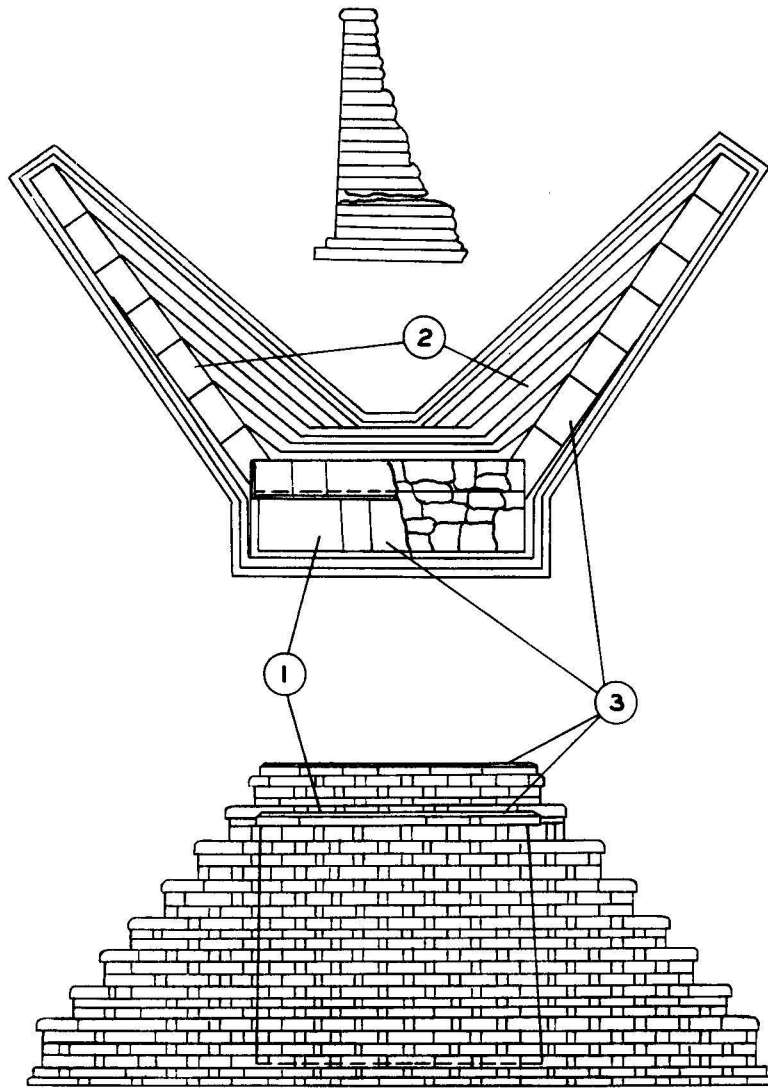


A

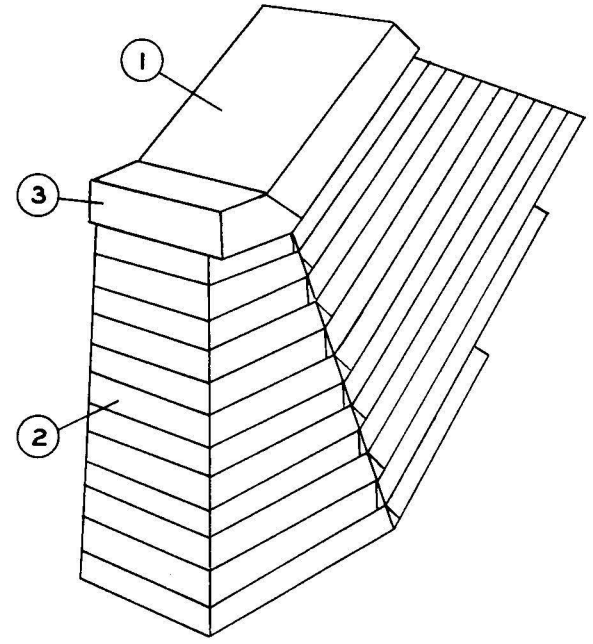


B

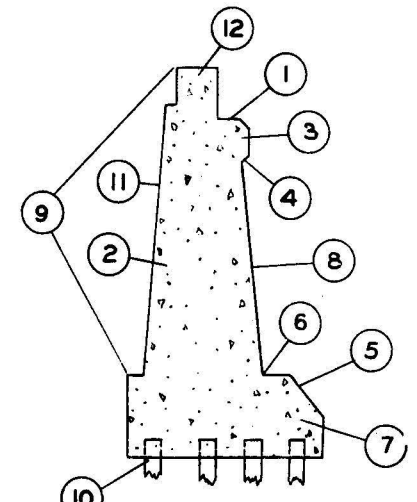




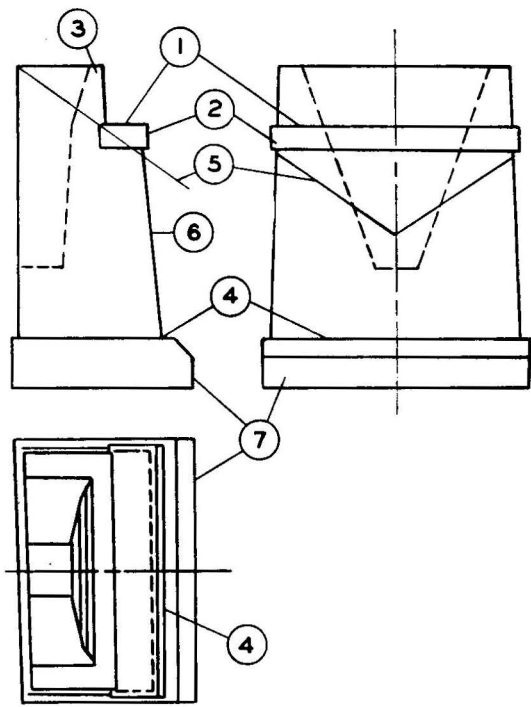
A



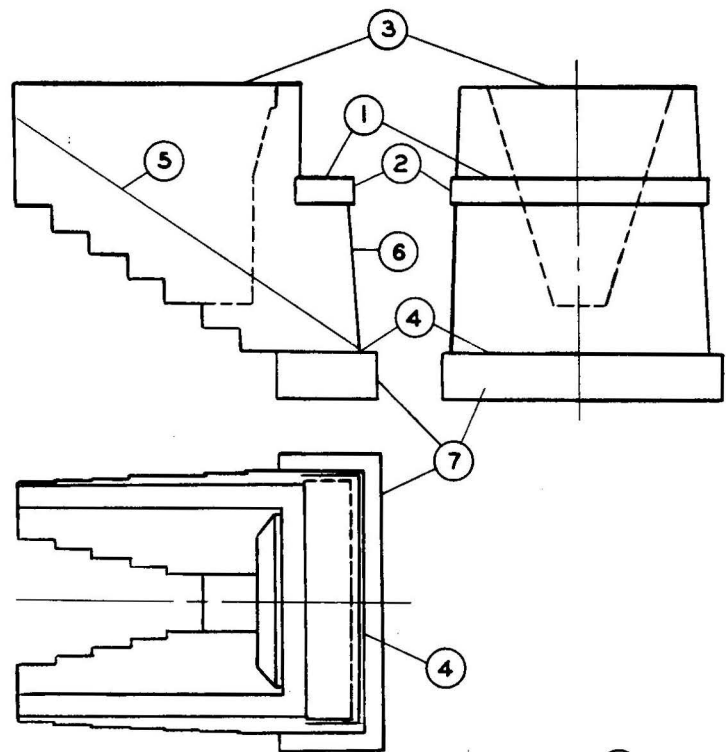
B



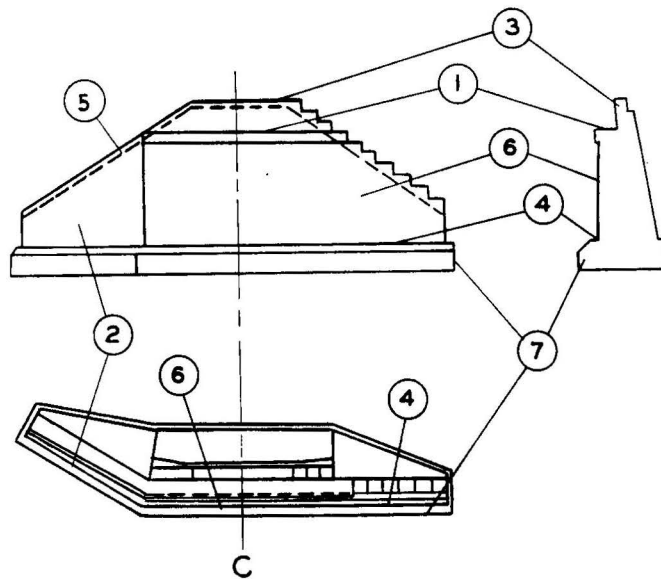
C



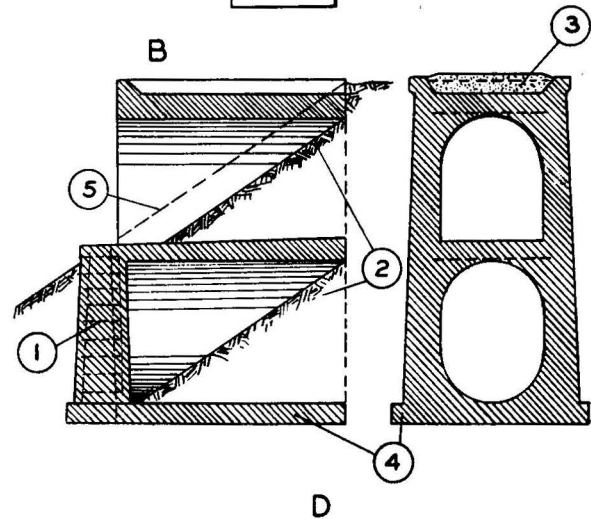
A



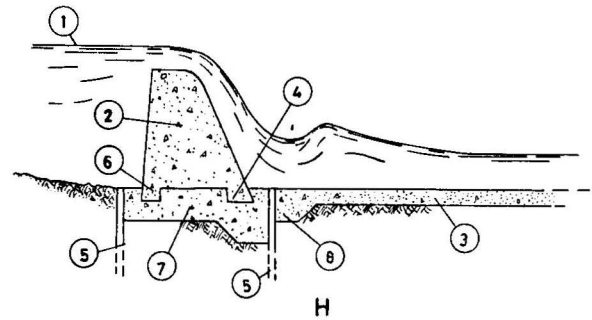
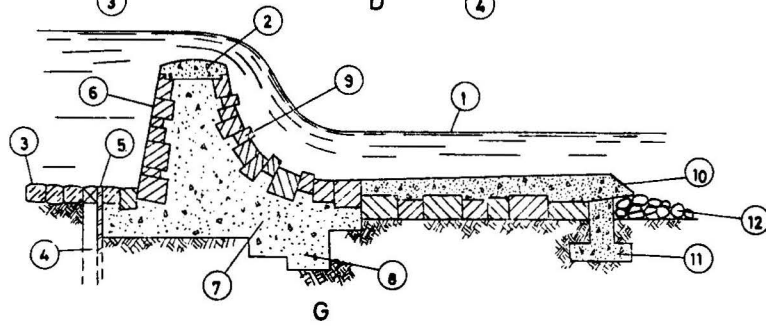
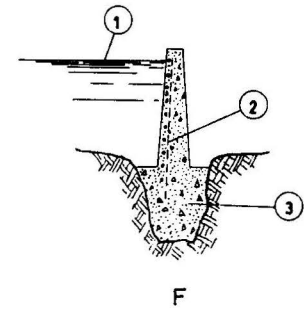
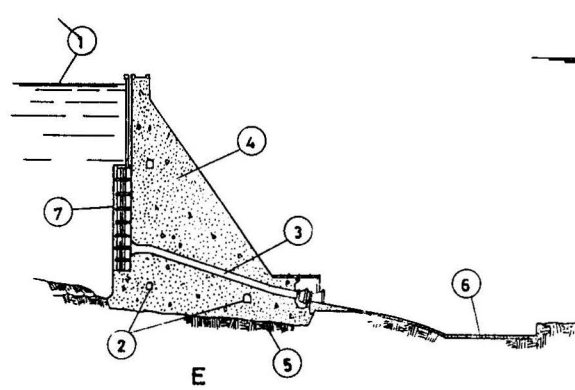
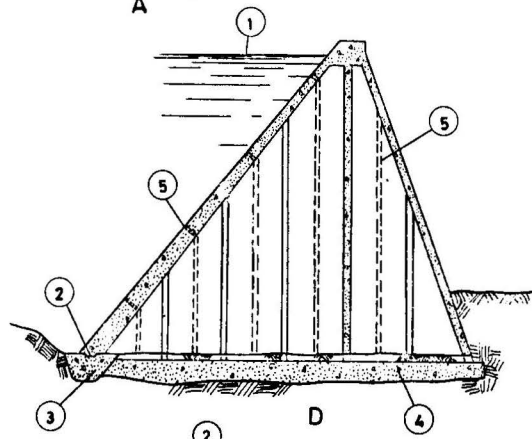
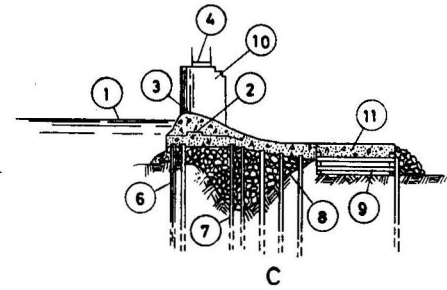
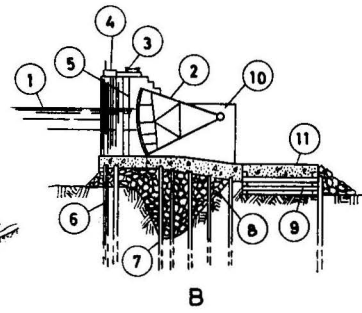
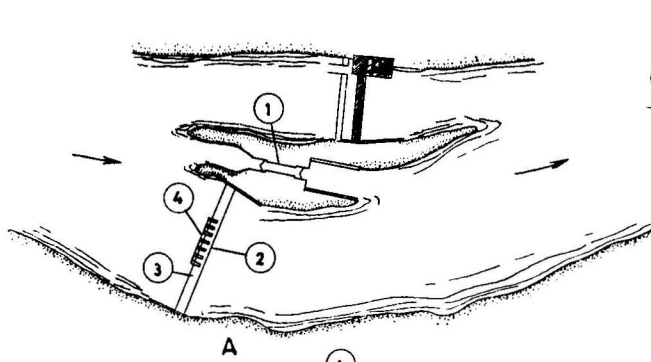
B

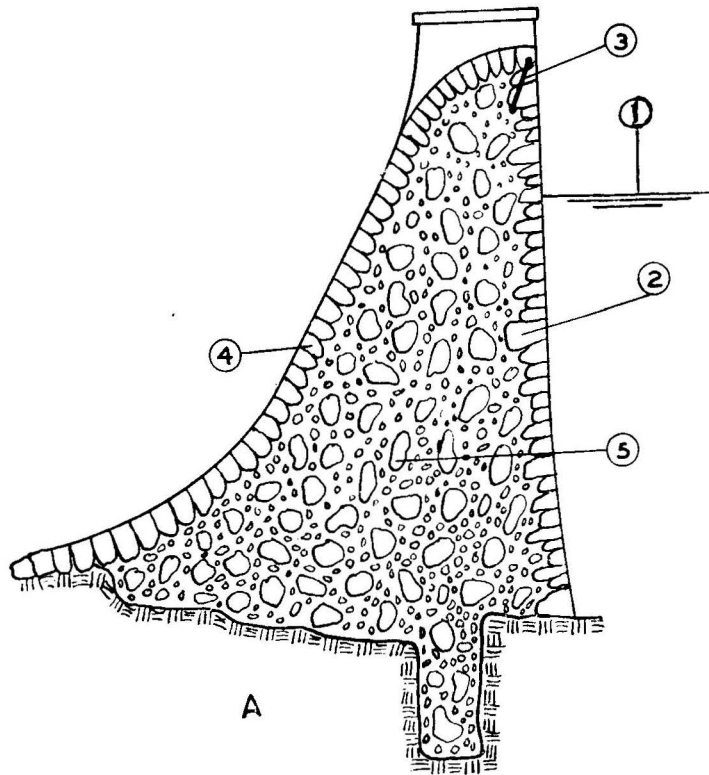


C

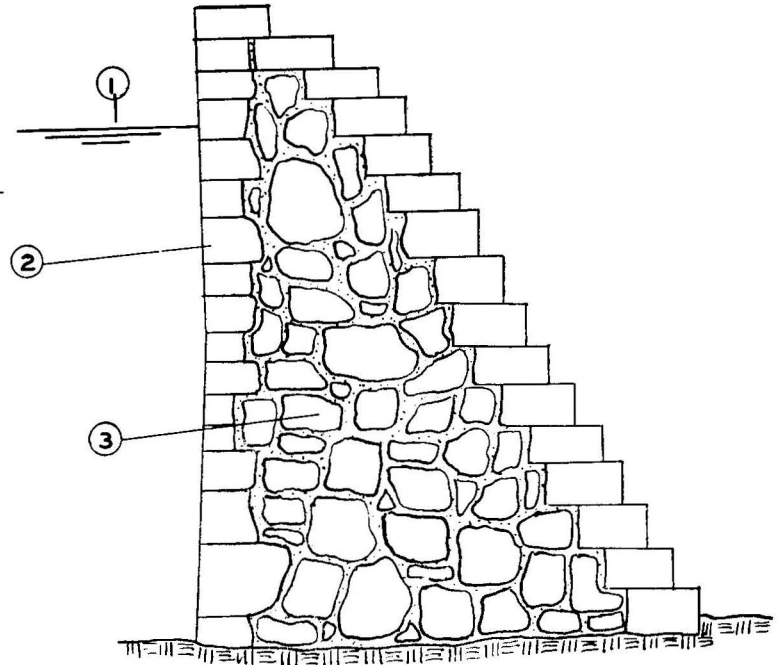


D

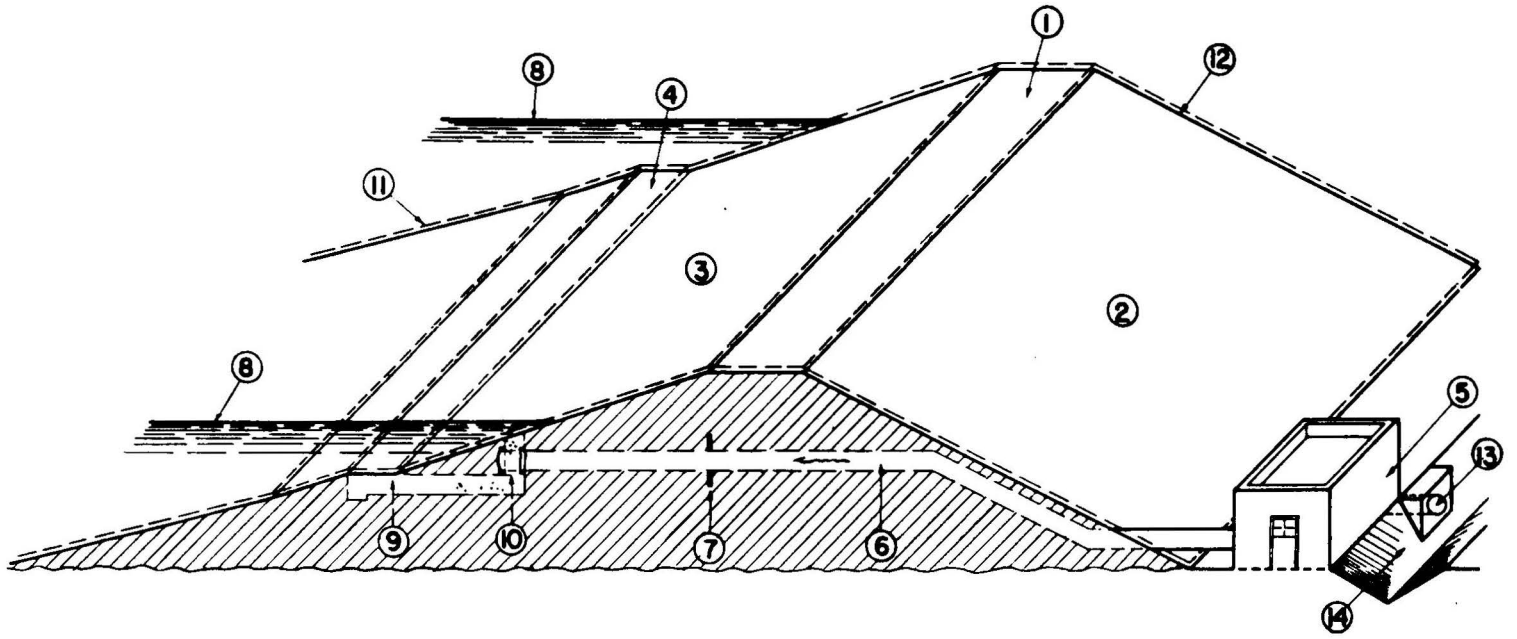


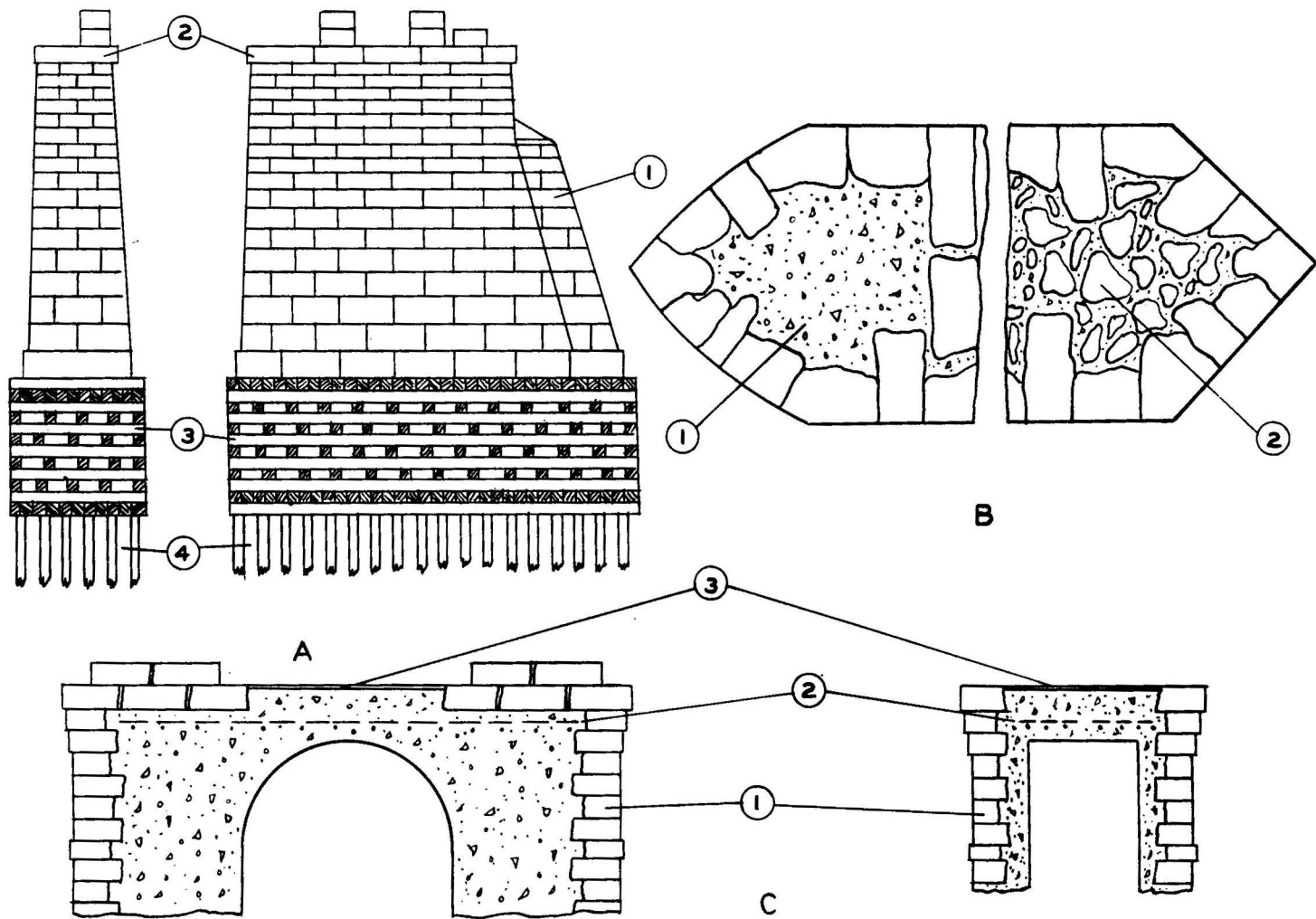


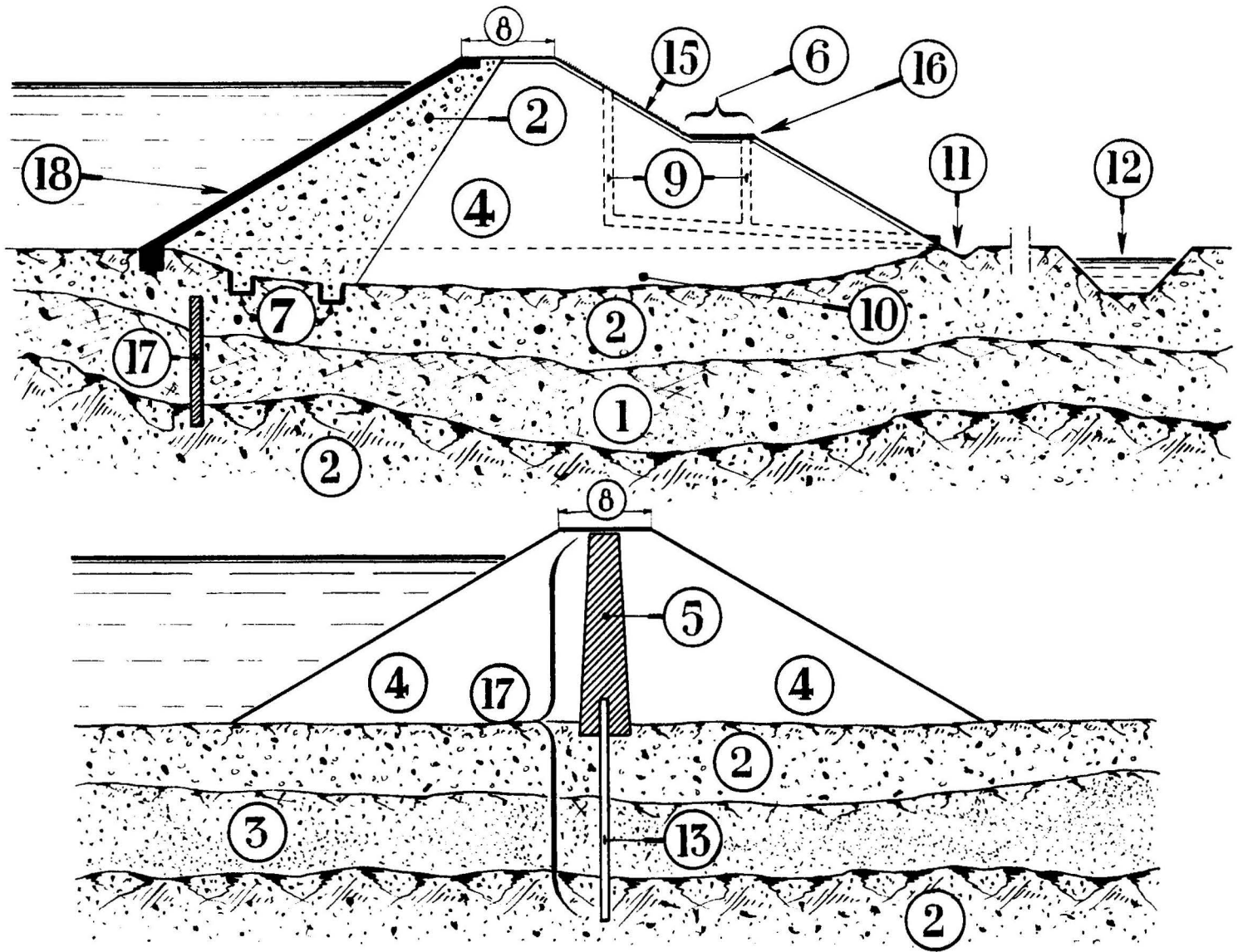
A

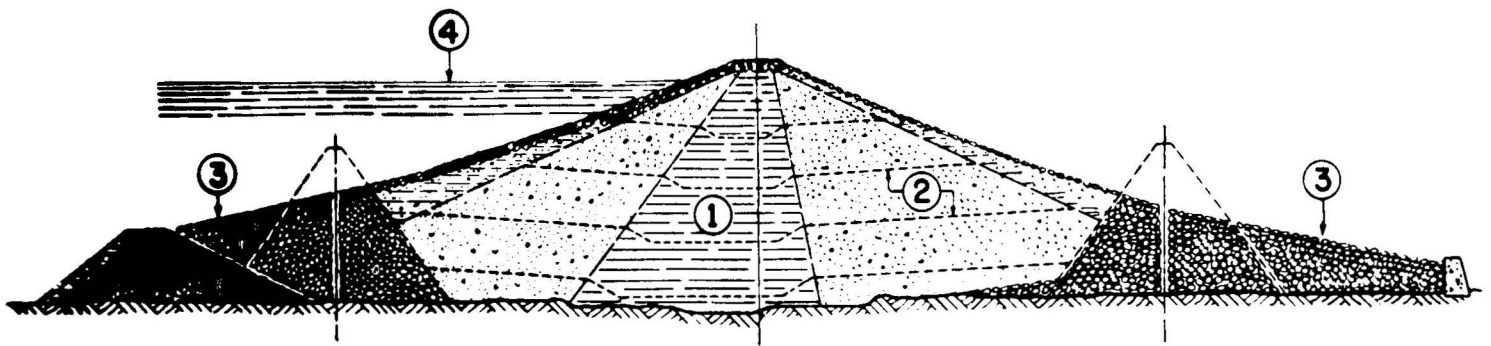


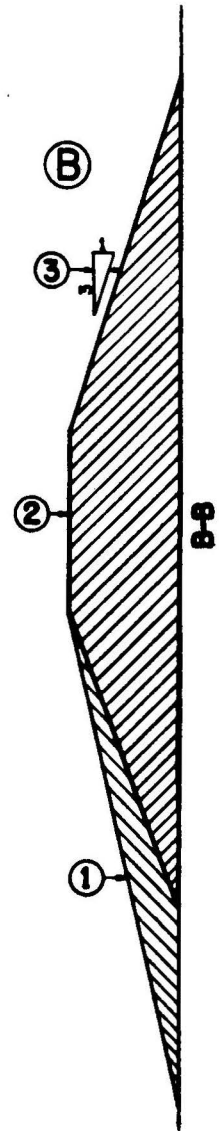
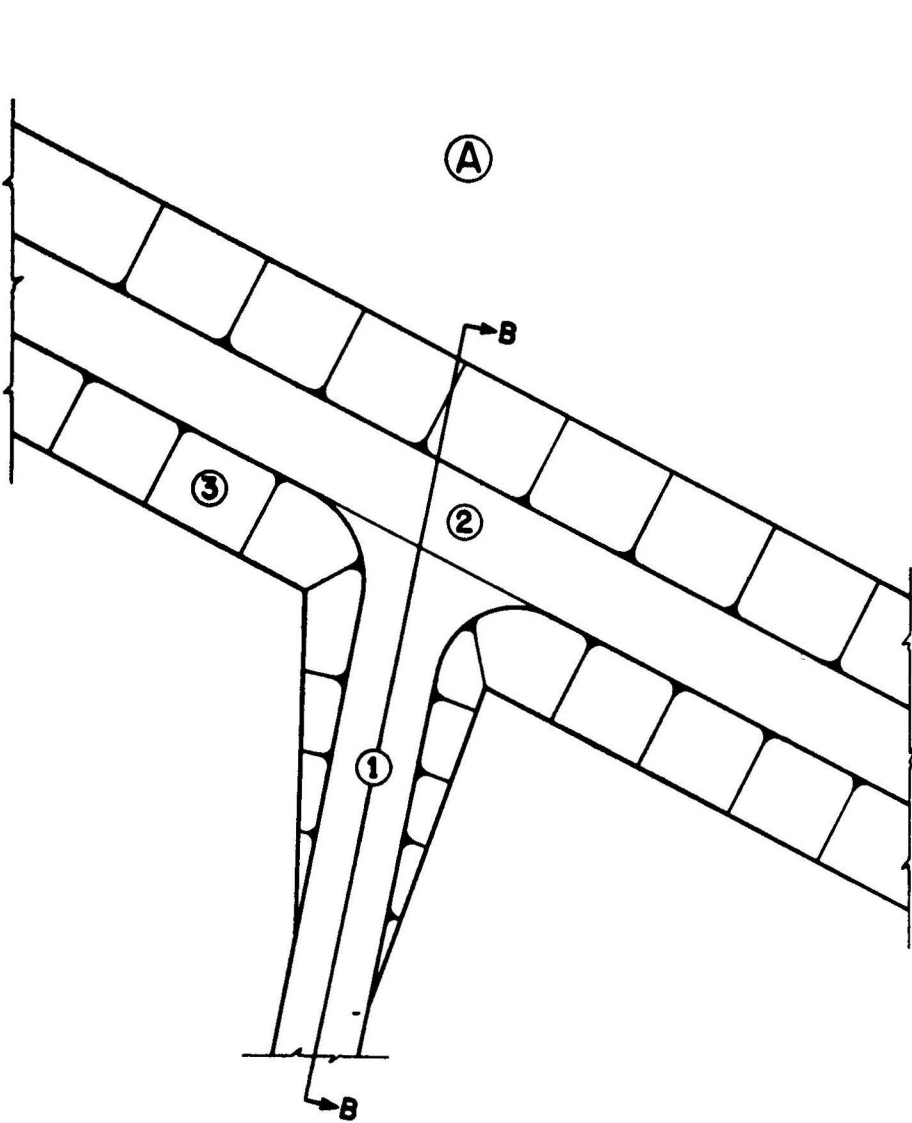
B

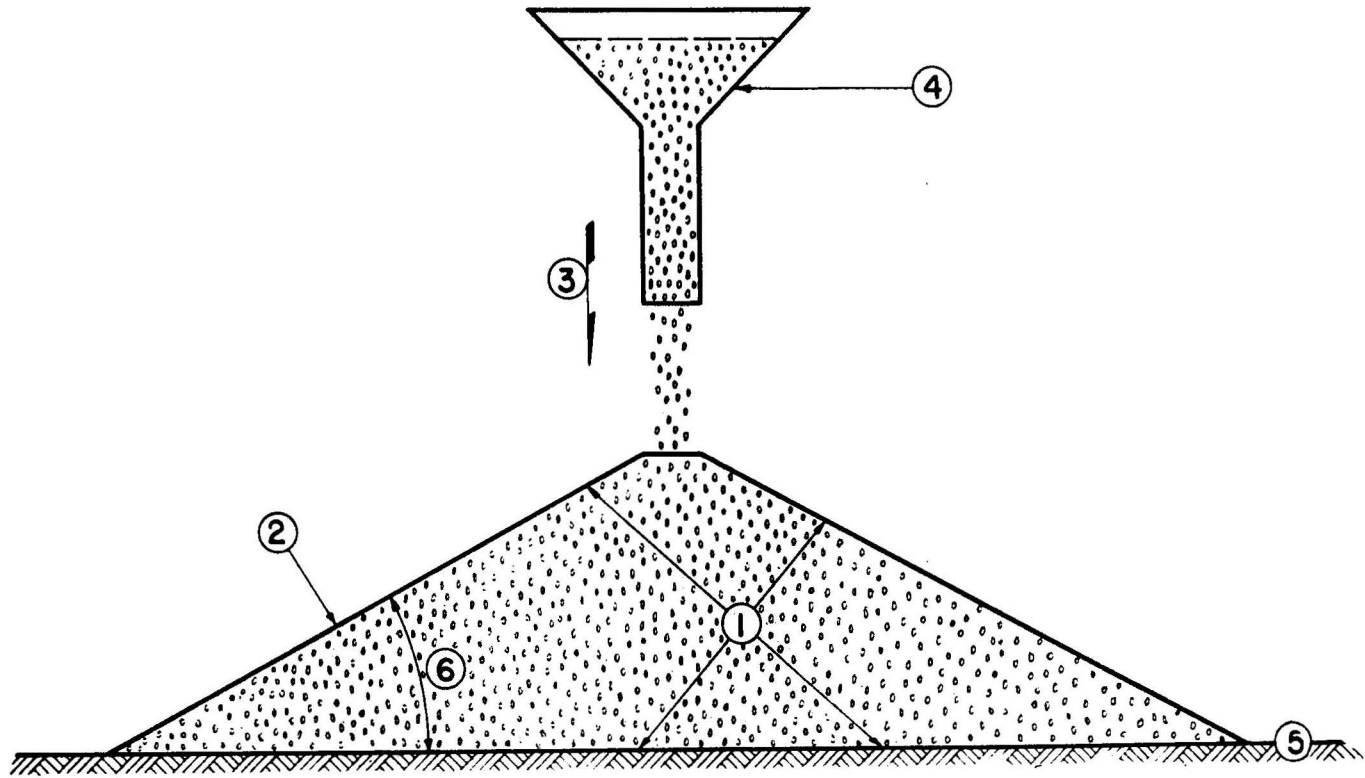


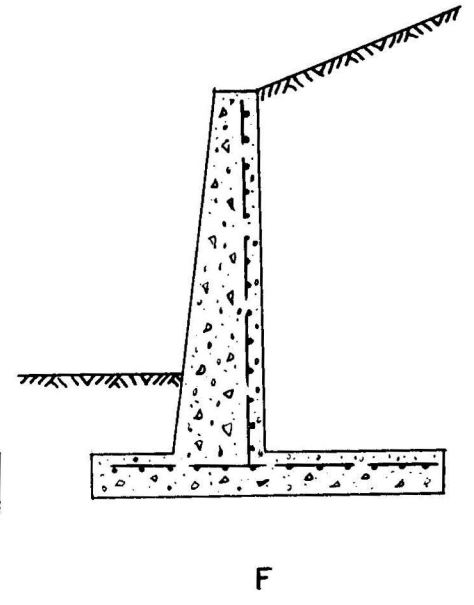
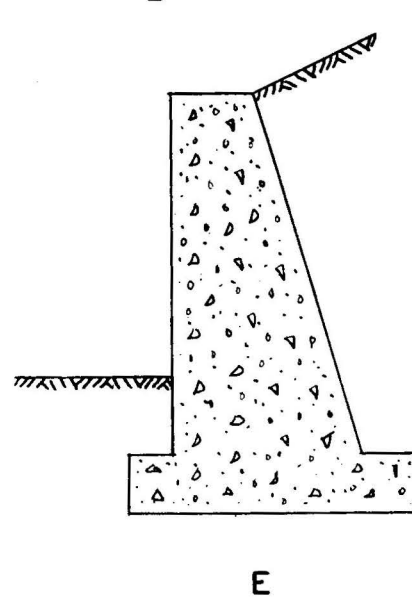
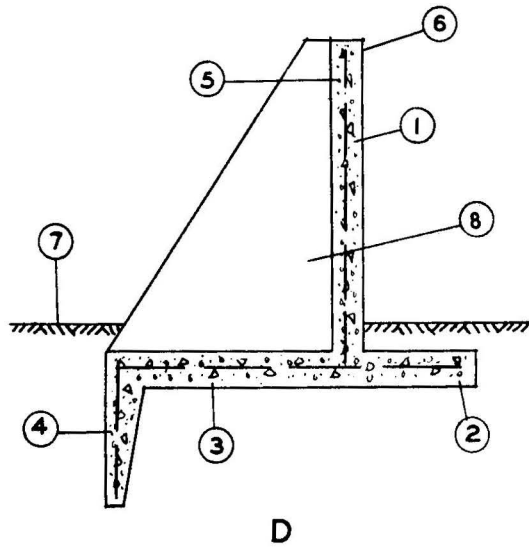
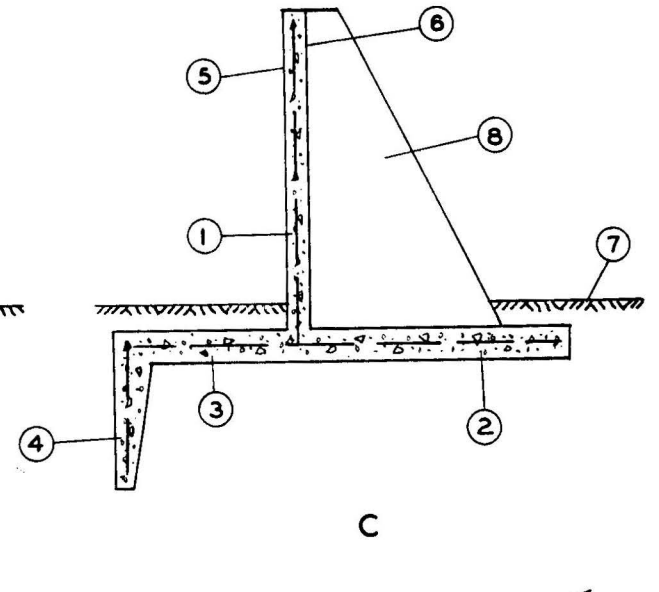
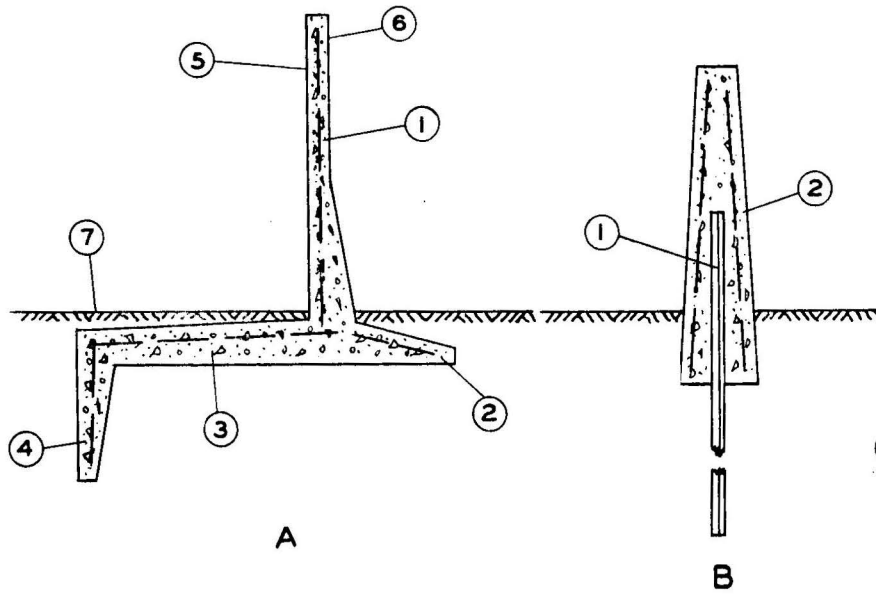


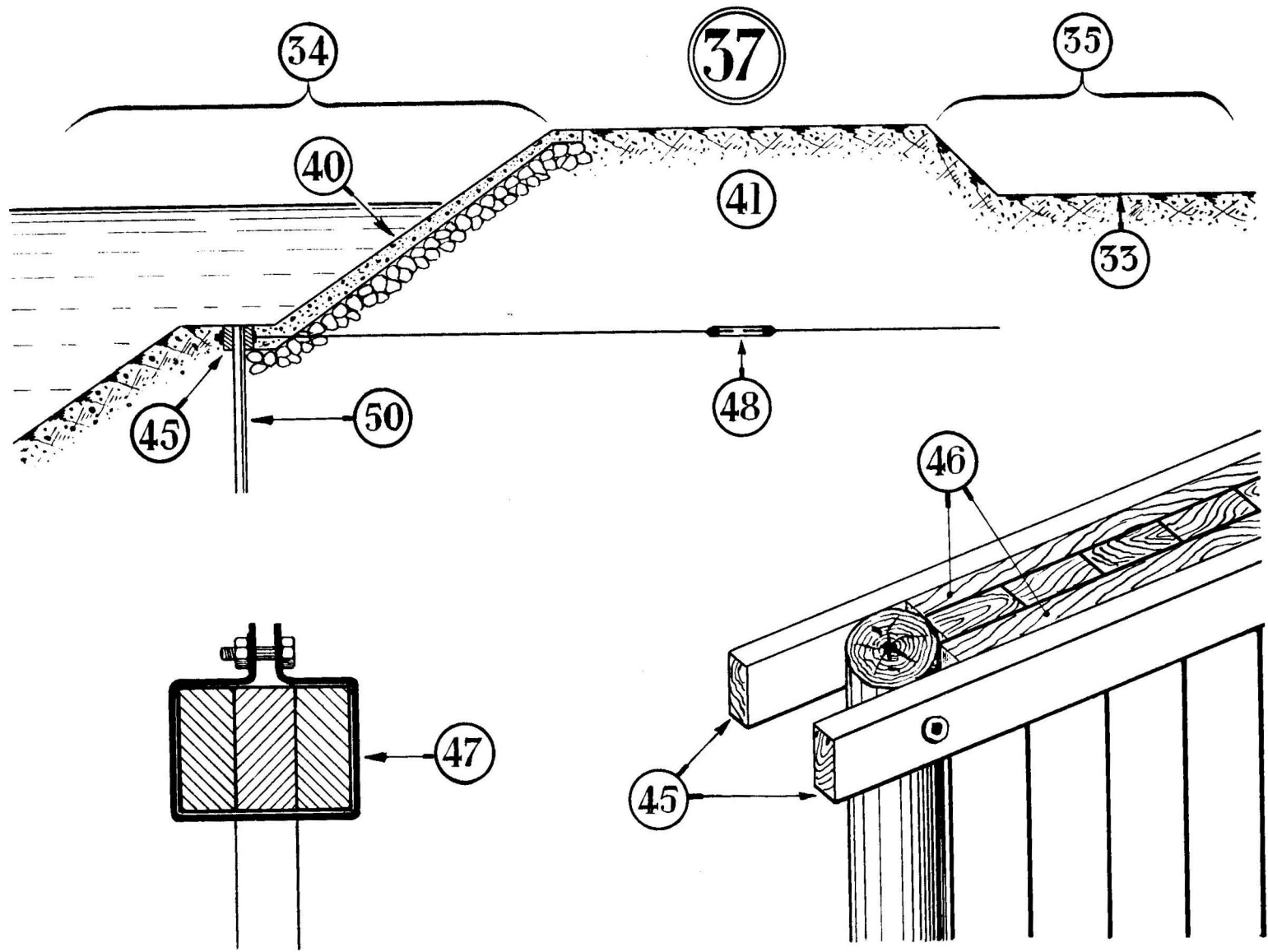


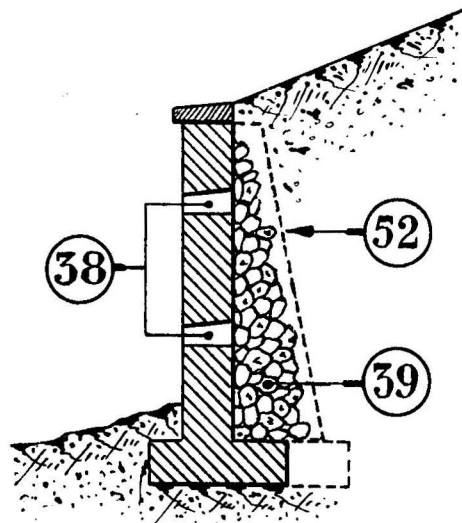




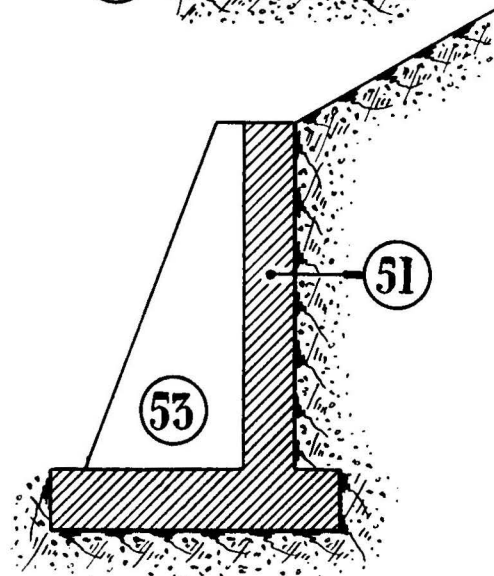
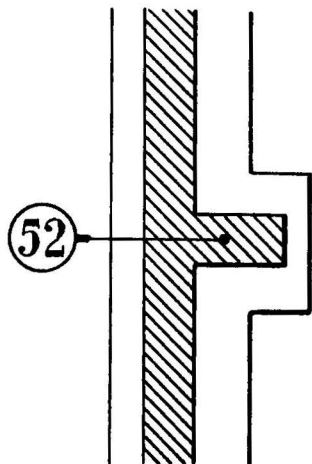
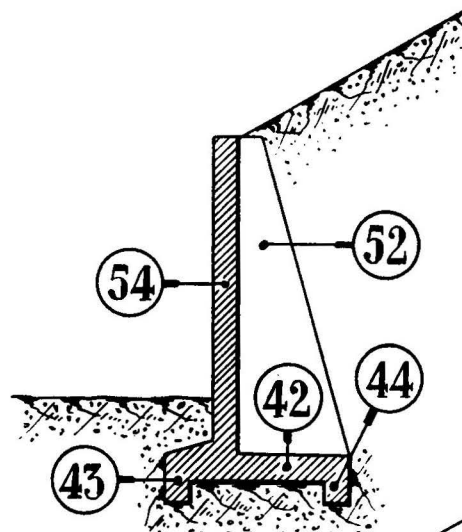
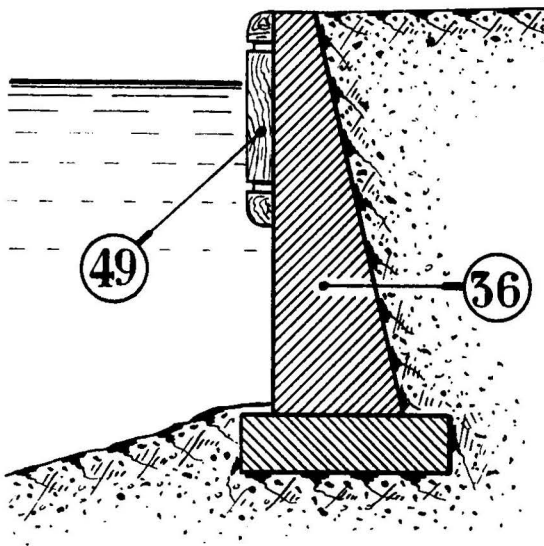


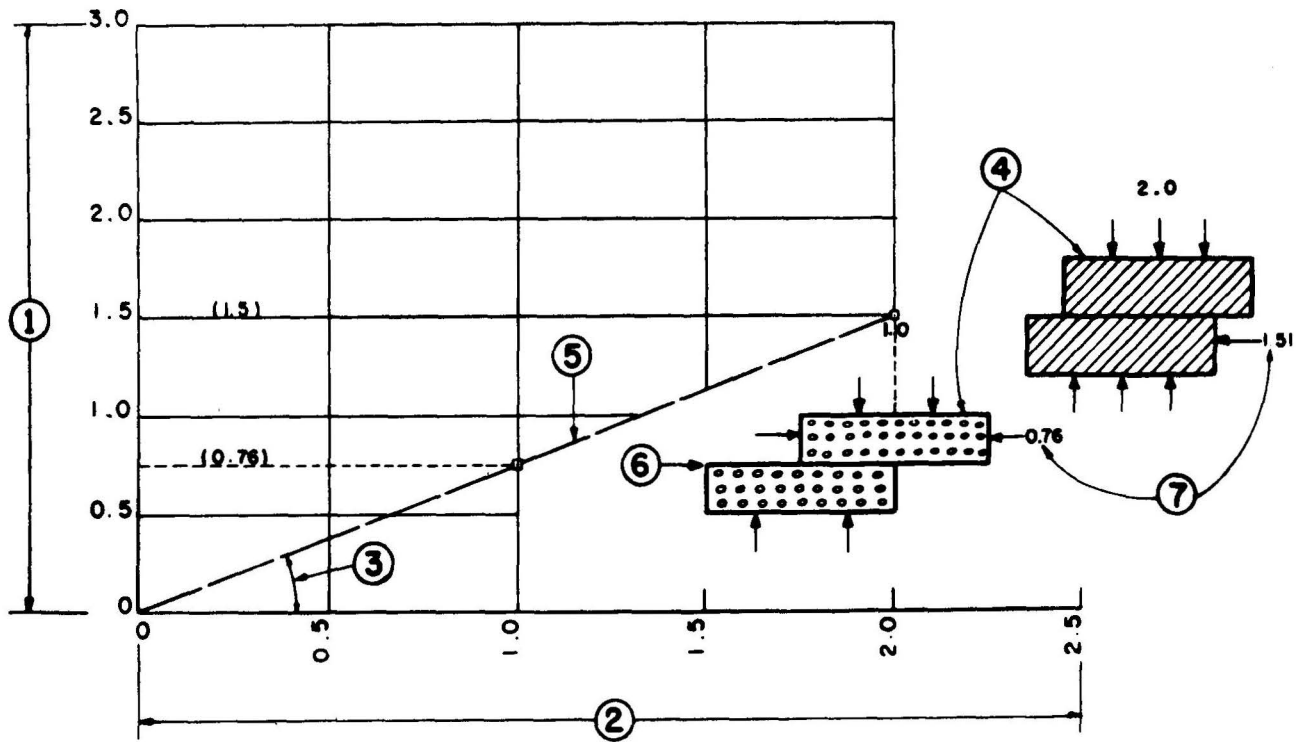


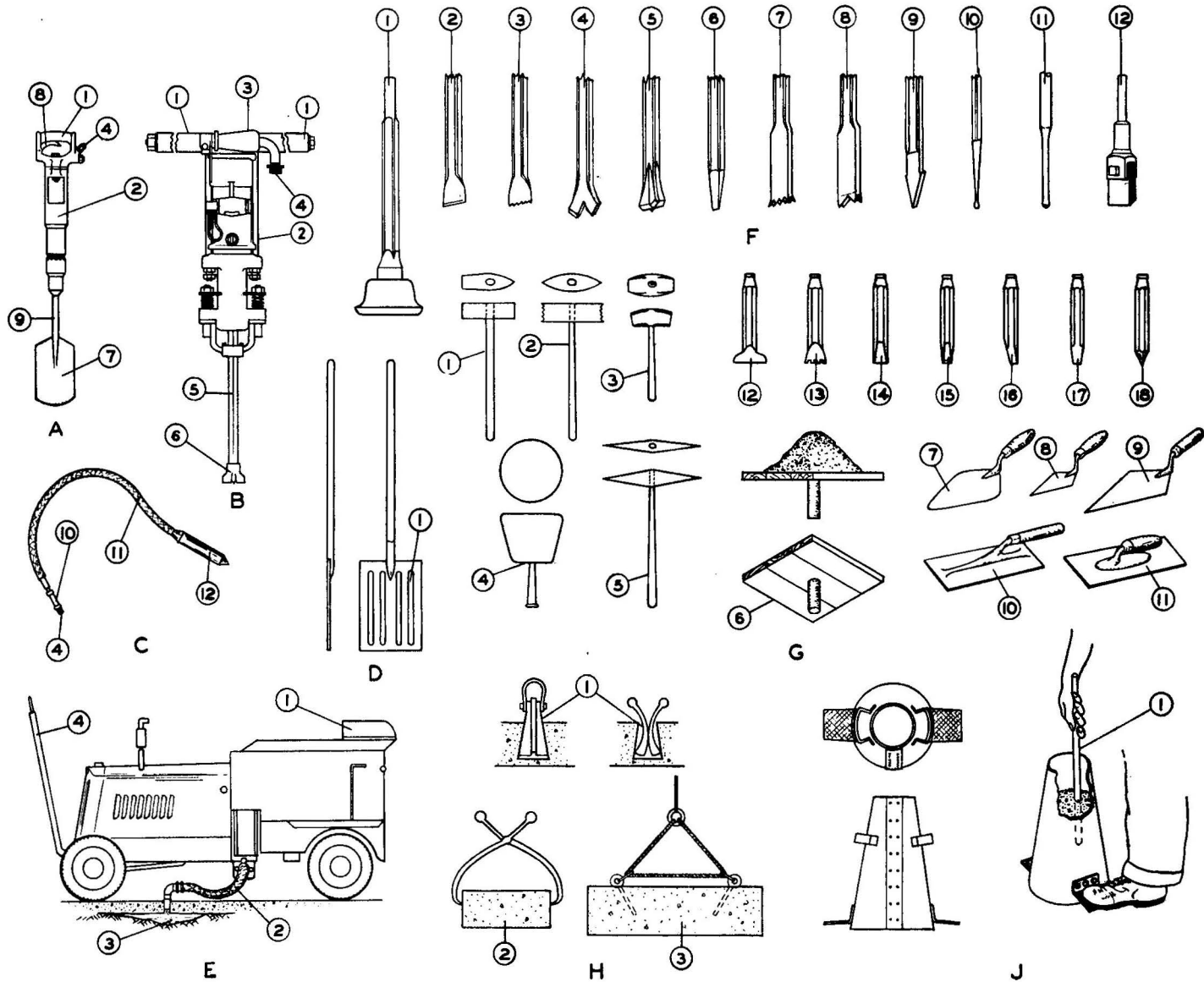


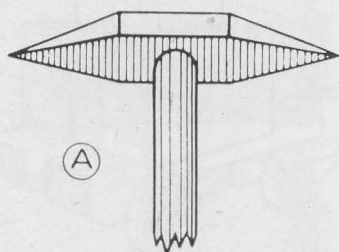


56

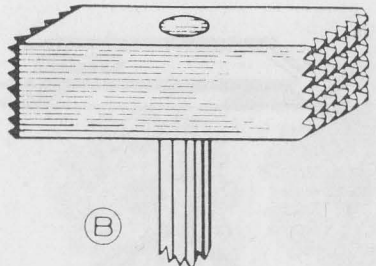






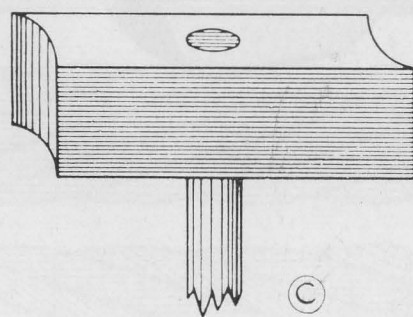
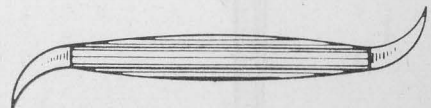


(A)

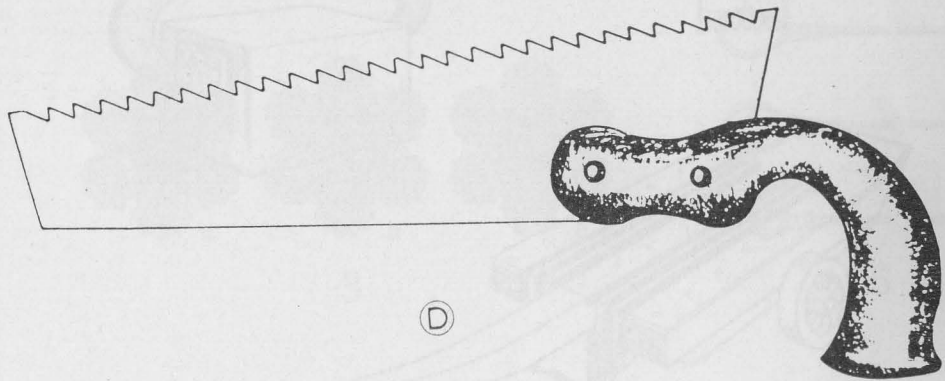


(B)

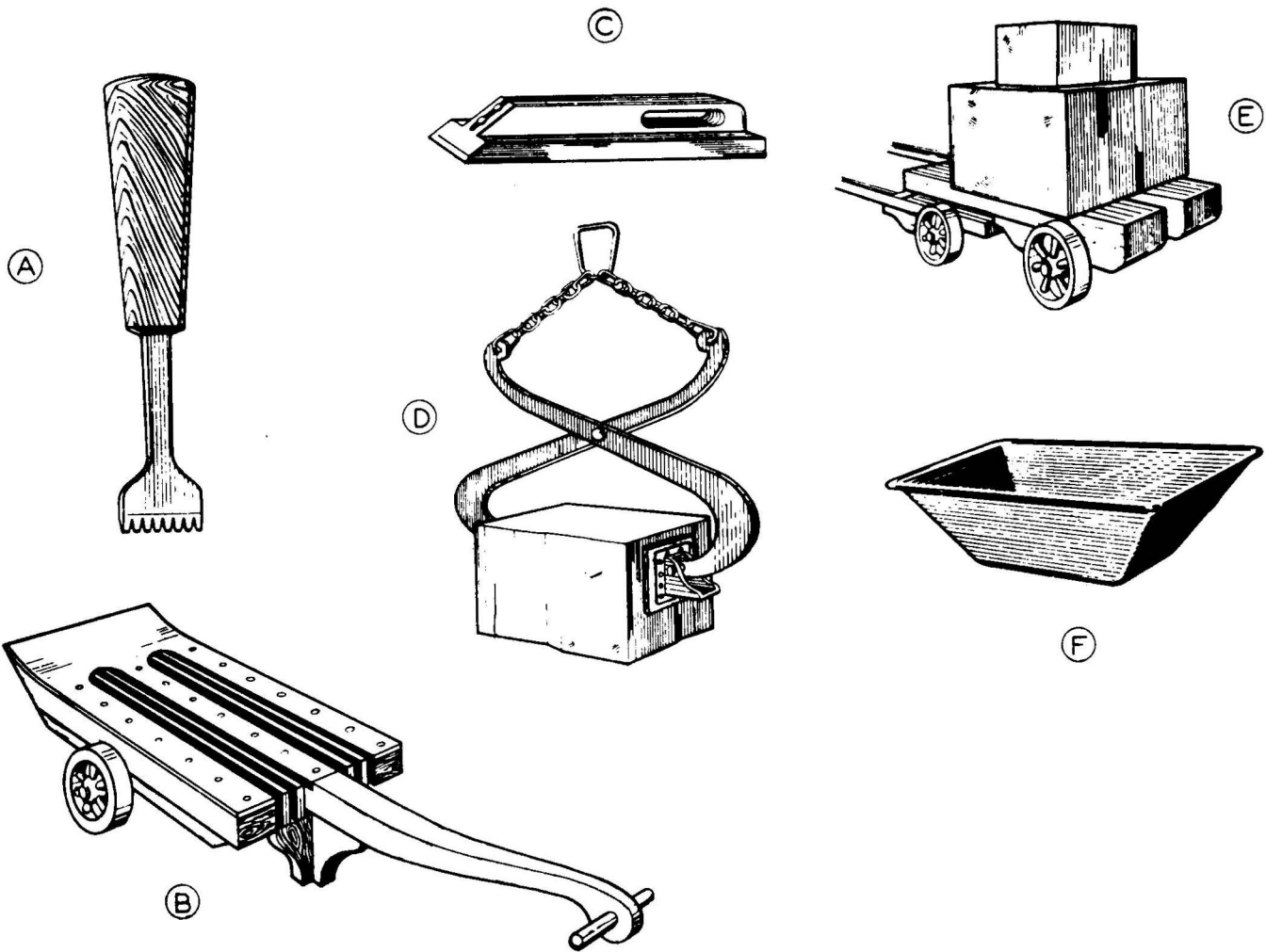
(E)

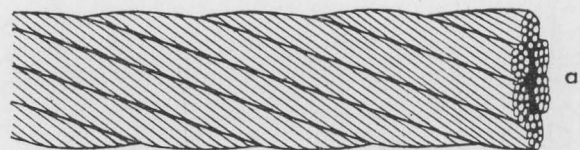


(C)

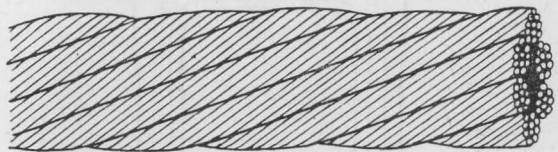


(D)

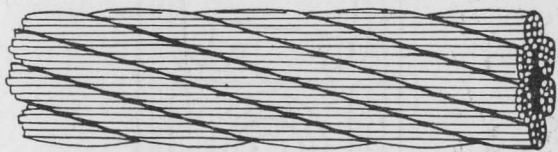




a



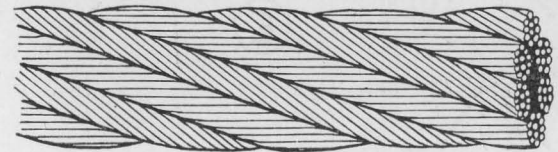
b



c

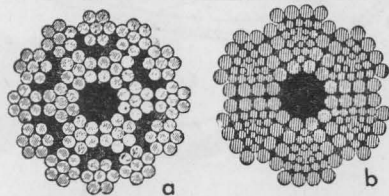


d



e

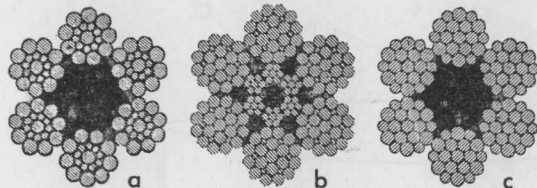
1



a

b

2

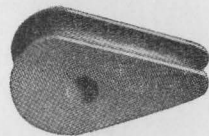
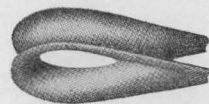


a

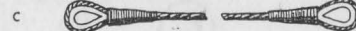
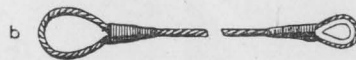
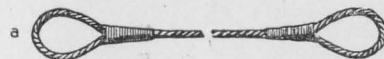
b

c

3



4

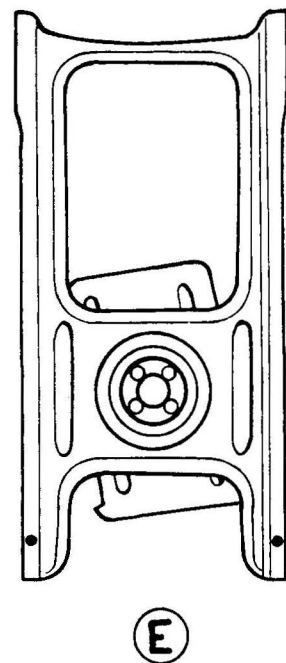
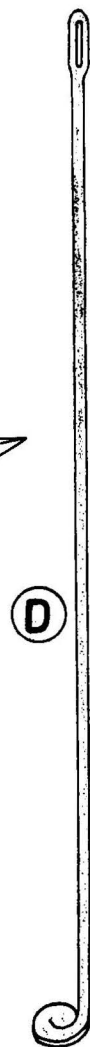
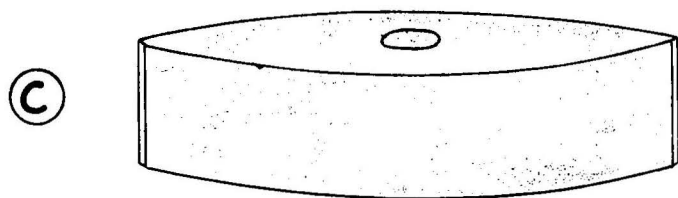
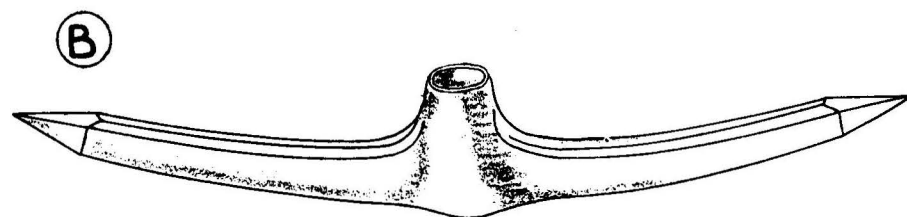
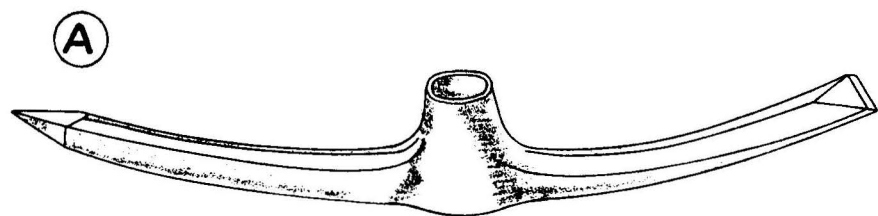


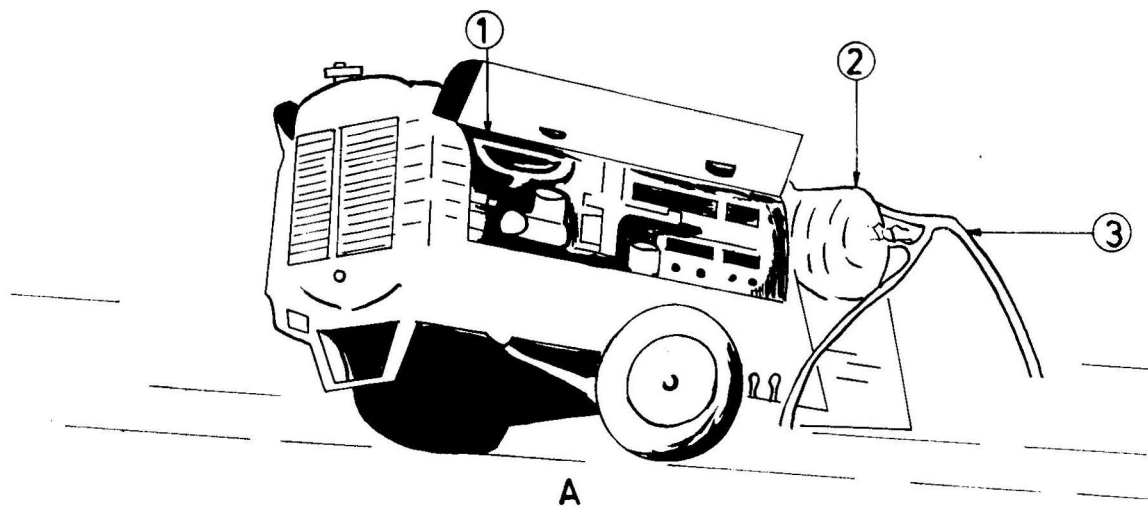
a

b

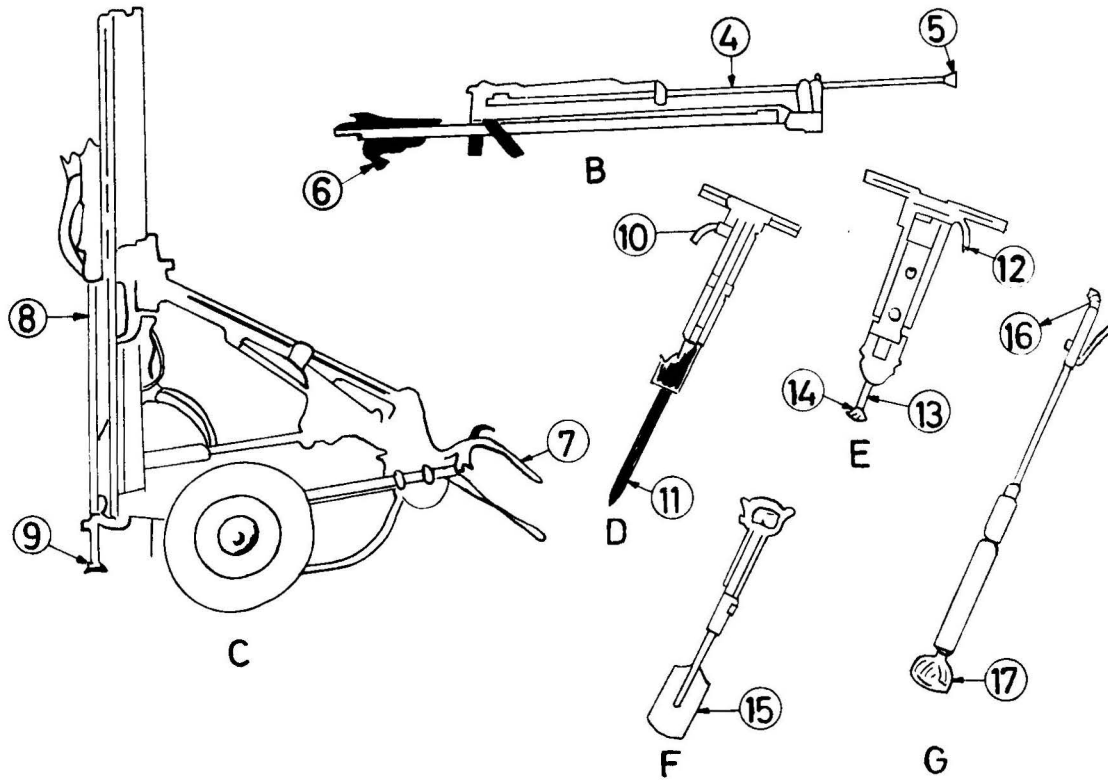
c

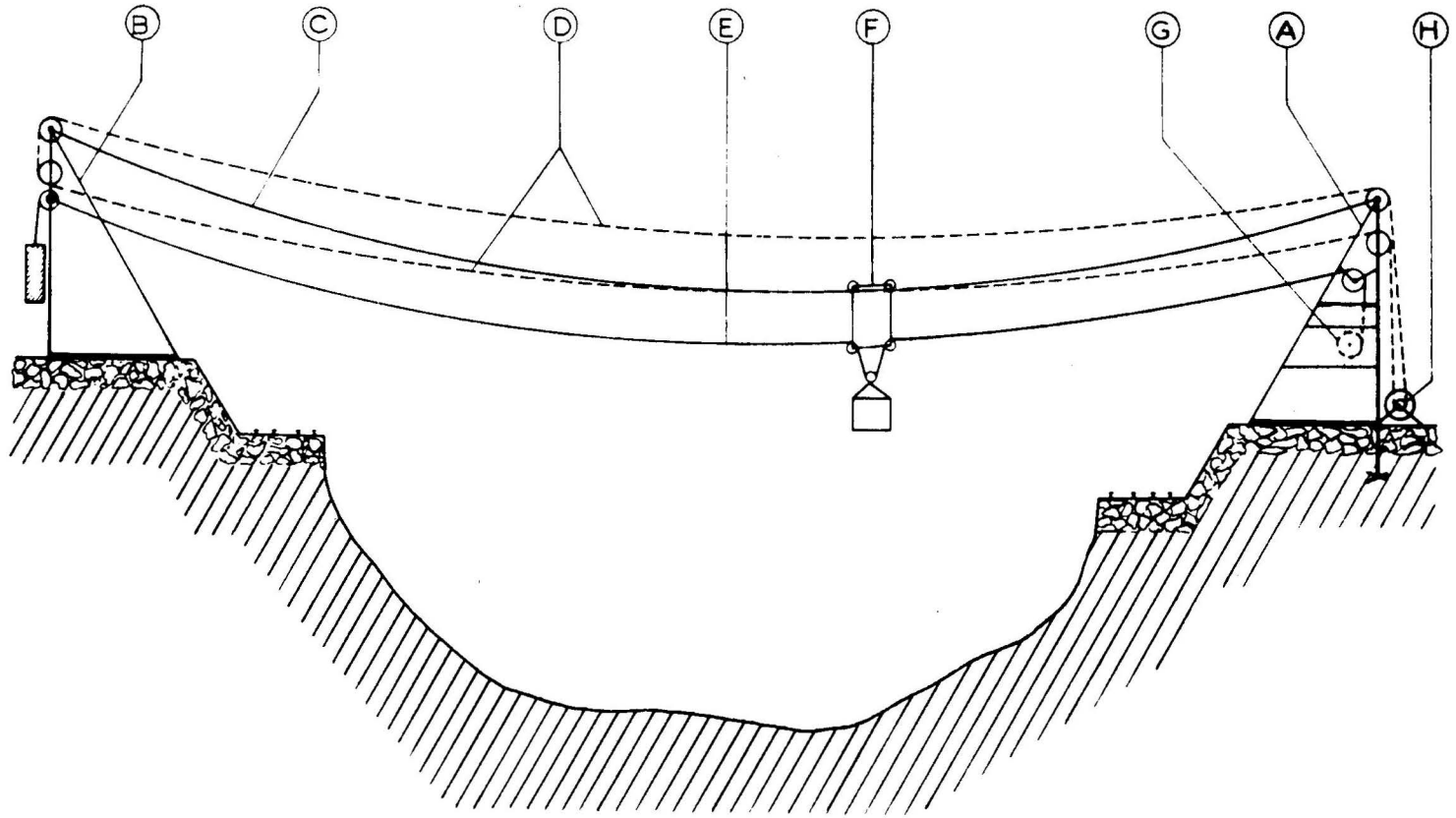
5





A





Des presses
de
l'imprimerie PUVREZ
59, avenue Fonsny
Bruxelles

